

Multiple distributor QS

FESTO



Key features

Simply "plug and work"



The stainless steel retaining claw holds the tubing securely without damaging its surface. Vibration and pressure surges are absorbed. The tubing can be detached easily by pressing down the blue release ring. The tubing O.D. is specified on the releasing ring to help select the right fitting.

Reliably connected



A nitrile rubber sealing ring guarantees a perfect seal between the standard O.D. tubing and the body of the fitting. The standard tubing combined with the Festo push-in connector is suitable for compressed air and vacuum.

The captive seal



All brass parts of the push-in fittings from Festo have nickel-plated surfaces and are thus highly resistant to corrosion. The tapered ISO R threads have a self-sealing PTFE coating, which allows the fitting to be re-used up to five times without the need for additional sealing components.

Rotatable



It can be rotated once it has been fitted.

Tube mounting/dismounting

Mounting

The prerequisite for ensuring that the inside seal is securely held and protected against damage is that the tube is cut into straight lengths and deburred.

- 1) Insert tubing as far as the stop.
It is important to ensure that the tubing is inserted into the inner seal. Depending on the tolerance between the tubing and the seal, the contact of the tubing with the seal may be wrongly interpreted as the stop.
- 2) Check that the tubing connection is secure by pulling gently on the tube.

Removal

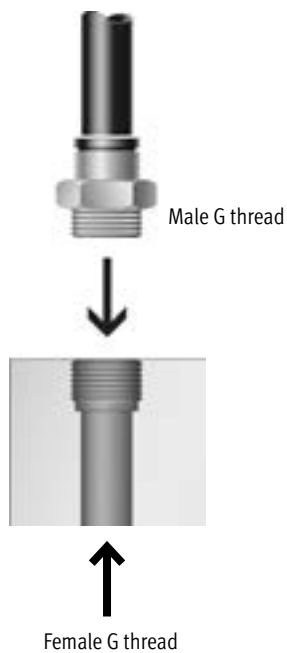
- 1) The tubing can be detached easily by pressing and holding down the releasing ring. Carefully remove the tubing from the fitting.
- 2) Before re-using the tubing, remove the damaged part by cutting it off.

Key features

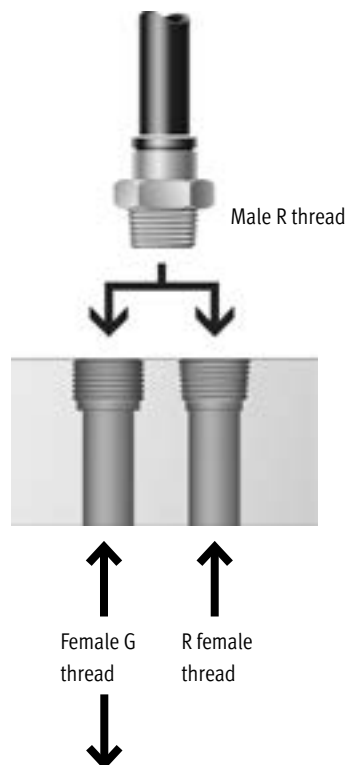

Which fitting fits which thread?

G thread to ISO 228-1

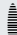
- Shorter thread
- Constant installation depth
- Replaceable sealing ring
- Sealing on front face
- Can be re-used a number of times thanks to replaceable sealing ring

**R thread to EN 10226-1 and ISO 7/1**

- Self-sealing thread
- Sealing via coated threads
- No additional sealing surface required
- Smaller installation dimensions since there is no need for an offset for the sealing surface
- Can be reused up to 5 times

-  - **Note**

If male R threads are combined with female G threads, leakage can occur if the female G thread was not manufactured cleanly or if it is not within permissible tolerances. In this case additional sealing, e.g. using a sealing band, is required.

-  - **Note**

All R threads are coated with a sealing material. This coating replaces the conventional sealing ring. Simply screw in the R thread by hand and tighten it by turning it 1 or 2 times using an open-ended spanner. The fitting can be reinstalled up to five times.

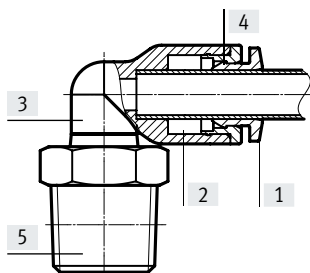
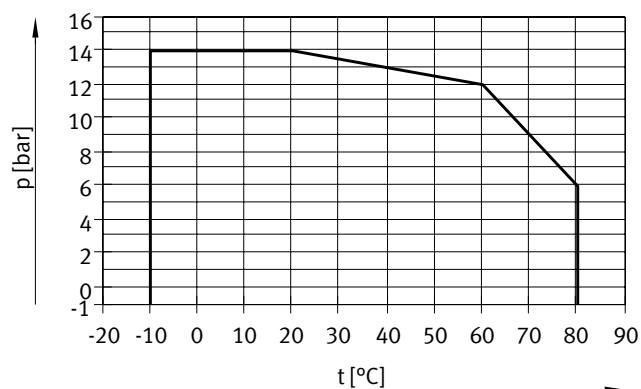
When screwing in R threads several times, you must make sure that the abraded particles from the sealing material coating cannot enter the compressed air system.

Technical data

General technical data		
Size		Standard
Design		Push-pull principle
Mounting position		Any
Type of seal on the screwed trunnion		Sealing ring (G thread)
		Coating (R thread)
Operating and environmental conditions		
Operating pressure for full temperature range	[bar]	-0.95 ... +6
Temperature-dependent operating pressure	[bar]	-0.95 ... +14 → graph
Operating medium		Compressed air to ISO 8573-1:2010 [7:-:-]
		Water as per manufacturer's declaration ²⁾
Note on the operating/pilot medium		Operation with lubricated medium possible
Ambient temperature	[°C]	-10 ... +80
Corrosion resistance class CRC ¹⁾		1
Maritime classification		See certificate ²⁾

- 1) Corrosion resistance class CRC 1 to Festo standard FN 940070
 Low corrosion stress. Dry internal application or transport and storage protection. Also applies to parts behind covers, in the non-visible interior area, or parts that are covered in the application (e.g. drive trunnions).
- 2) Additional information: www.festo.com/catalogue/qs → Support/Downloads.

Operating pressure p as a function of temperature t



Materials		
Sectional view		
Multiple distributor		
[1]	Releasing ring	POM (colour: blue)
[2]	Tubing seal	NBR
[3]	Housing	PBT
[4]	Tube clamping segment	High-alloy stainless steel
[5]	Threaded coupling	Nickel-plated brass
[-]	Hollow bolt (QSLV)	Nickel-plated brass
Note on materials		RoHS-compliant

Technical data

Tightening torque	
Connecting thread	Nominal tightening torque [Nm]
G thread	
G1/8	7 ±20%
G1/4	9 ±20%
G3/8	15.5 ±20%
G1/2	26 ±20%





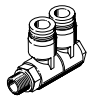
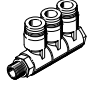


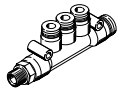
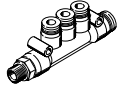

Tubing insertion depth					
Tubing O.D. [mm]	4	6	8	10	12
Tubing insertion depth [mm]	15	17	18	20.5	23.5

Possible push-in fitting/tubing combinations						
Thread	Tubing O.D. [mm]					
	4	6	8	10	12	
R1/8	+	++	+	-	-	
R1/4	+	+	++	+	-	
R3/8	-	-	+	++	+	
R1/2	-	-	-	-	++	
G1/8	+	++	+	-	-	
G1/4	+	+	++	+	-	
G3/8	-	-	+	++	+	
G1/2	-	-	-	-	++	

+ Possible thread/tubing O.D. combinations

++ Optimum thread/tubing O.D. combination (for the flow rate)

Product range overview

Design	Design	Type	Connection D1			Connection D2 Tubing O.D.	Connection D3 Tubing O.D.	→ Page/ Internet
			R thread	G thread	Tubing O.D.			
Straight shape	Multiple distributor, 4 outlets							
		QSQ	R1/8	G1/8	-	4, 6	-	7
			R1/4	G1/4		4, 6		
		QSQ	-	-	6	4	-	7
				8	6			
L-shape	Multiple distributor, 2 outlets							
		QSLV2	R1/8	G1/8	-	4, 6, 8	-	8
			R1/4	G1/4		6, 8, 10		
			R3/8	G3/8		8, 10, 12		
			R1/2	G1/2		12		
	Multiple distributor, 3 outlets							
		QSLV3	R1/8	G1/8	-	4, 6, 8	-	9
			R1/4	G1/4		6, 8, 10		
			R3/8	G3/8		8, 10, 12		
			R1/2	G1/2		12		
	Multiple distributor, 4 outlets							
		QSLV4	R1/8	G1/8	-	4, 6, 8	-	10
			R1/4	G1/4		6, 8, 10		
			R3/8	G3/8		8, 10, 12		
			R1/2	G1/2		12		
	Multiple distributor, 6 outlets							
		QSLV6	R1/8	G1/8	-	4, 6, 8	-	11
			R1/4	G1/4		6, 8, 10		
			R3/8	G3/8		8, 10, 12		
			R1/2	G1/2		12		
	Multiple distributor, 4 outlets							
		QST3	R1/8	G1/8	-	6	4	12
R1/4			G1/4	8		6		
R3/8			G3/8	10		8		
	QST3	-	-	6	6	4	12	
				8	8	6		
				10	10	8		
Multiple distributor, 3 outlets – Male and female thread with external hexagon								
	QSYTF	R1/8	G1/8	-	6	-	13	
		R1/4	G1/4		8			
		R3/8	G3/8		10			
		R1/2	G1/2		12			

Datasheet

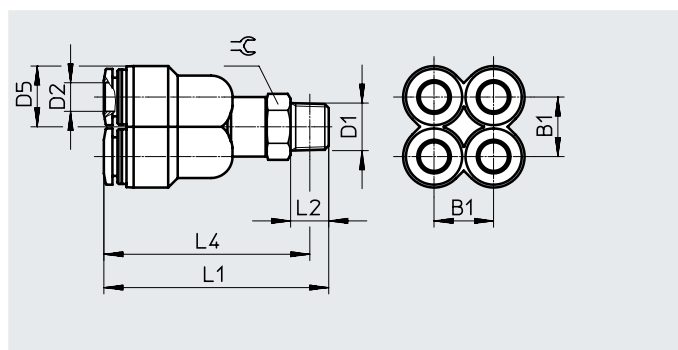
Multiple distributor QSQ

No. of supply lines: 1

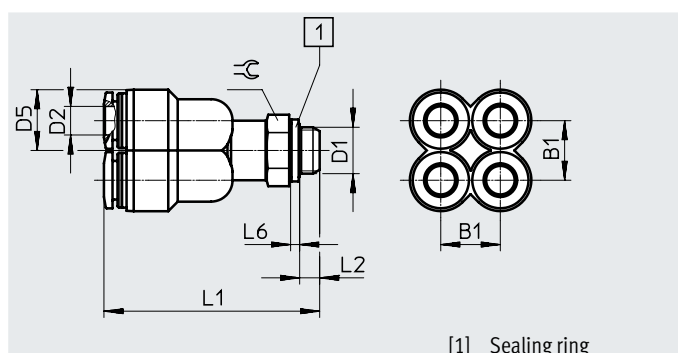
No. of outlets: 4



R thread



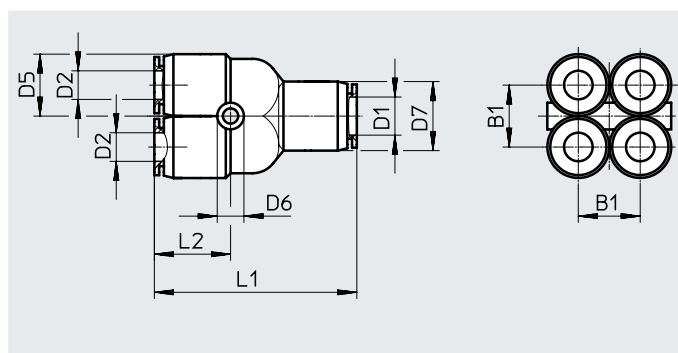
G thread



[1] Sealing ring



Reducing



Dimensions and ordering data																
Connection	Nominal width	Tubing O.D.	B1	D5	D6	D7	L1	L2	L4	L6	≈	Weight/ piece	Part no.	Type	PU*	
D1	[mm]	D2		∅	∅	∅						[g]				
R thread																
R1/8	2.6	4	10.3	10.5	-	-	38.9	8	34.9	-	12	16	153206	QSQ-1/8-4	1	
	5.2	6	12.5	13	-	-	47.2	8	43.2	-	12	25	153208	QSQ-1/8-6	1	
R1/4	2.6	4	10.3	10.5	-	-	42.4	11	36.4	-	14	21	153207	QSQ-1/4-4	1	
	5.2	6	12.5	13	-	-	50.7	11	44.7	-	14	30	153288	QSQ-1/4-6	1	
G thread with sealing ring																
G1/8	2.6	4	10.3	10.5	-	-	37	4.2	-	1.9	13	20	186220	QSQ-G1/8-4	1	
	5.2	6	12.5	13	-	-	45.3	4.2	-	1.9	13	26	186222	QSQ-G1/8-6	1	
G1/4	2.6	4	10.3	10.5	-	-	39.1	4.8	-	1.9	17	29	186221	QSQ-G1/4-4	1	
	5.2	6	12.5	13	-	-	47.4	4.8	-	1.9	17	35	186263	QSQ-G1/4-6	1	
Reducing																
6	3.1	4	10.3	10.5	3.2	12.5	37.5	14.2	-	-	-	14	153209	QSQ-6-4	1	
8	4.6	6	12.5	13	3.2	14.5	42	15.8	-	-	-	21	153210	QSQ-8-6	1	

* Packaging unit

Datasheet

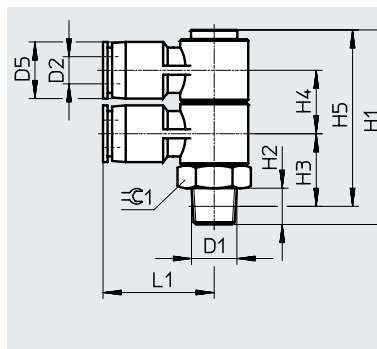
Multiple distributor QSLV2

No. of supply lines: 1

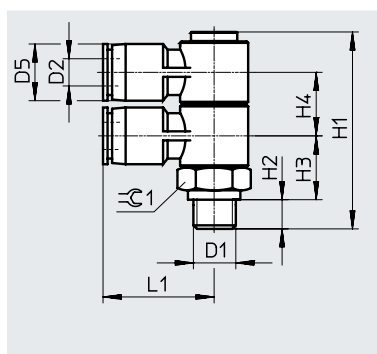
No. of outlets: 2



R thread



G thread



Dimensions and ordering data

Connection	Nominal width [mm]	Tubing O.D.	D5 ø	H1	H2	H3	H4	H5	L1	⊖G1	Weight/ piece [g]	Part no.	Type	PU*
D1		D2												
R thread														
R1/8	2.4	4	10	41.6	8	15.5	13	37.6	22.2	14	26	153211	QSLV2-1/8-4	1
	3.2	6	12.5	41.6	8	15.5	13	37.6	24.2	14	28	153212	QSLV2-1/8-6	1
	4.2	8	14.5	46.6	8	17.5	15	42.6	27.7	17	44	153214	QSLV2-1/8-8	1
R1/4	3.2	6	12.5	44.6	11	16.5	13	38.6	24.2	14	34	153213	QSLV2-1/4-6	1
	4.3	8	14.5	49.6	11	18.5	15	43.6	27.7	17	47	153215	QSLV2-1/4-8	1
	5.2	10	17.5	57.6	11	22	18	51.6	31.7	22	80	153217	QSLV2-1/4-10	1
R3/8	4.3	8	14.5	50.6	12	19.2	15	44.3	27.7	17	54	153216	QSLV2-3/8-8	1
	5.3	10	17.5	58.6	12	22.7	18	52.3	31.7	22	83	153218	QSLV2-3/8-10	1
	6.3	12	21	68.8	12	27.5	21.6	62.5	36.7	27	139	153219	QSLV2-3/8-12	1
R1/2	6.4	12	21	71.8	15	28.6	21.6	63.6	36.7	27	149	153220	QSLV2-1/2-12	1
G thread with sealing ring														
G1/8	2.4	4	10	40.6	5.1	13.4	13	-	22.2	14	25	186223	QSLV2-G1/8-4	1
	3.2	6	12.5	40.6	5.1	13.4	13	-	24.2	14	27	186224	QSLV2-G1/8-6	1
	4.2	8	14.5	45.6	5.1	15.4	15	-	27.7	17	43	186226	QSLV2-G1/8-8	1
G1/4	3.2	6	12.5	42.1	5.6	14.4	13	-	24.2	17	36	186225	QSLV2-G1/4-6	1
	4.3	8	14.5	46.1	5.6	15.4	15	-	27.7	17	44	186227	QSLV2-G1/4-8	1
	5.2	10	17.5	54.1	5.6	18.9	18	-	31.7	22	77	186229	QSLV2-G1/4-10	1
G3/8	4.3	8	14.5	47.6	6.6	15.9	15	-	27.7	19	53	186228	QSLV2-G3/8-8	1
	5.3	10	17.5	55.6	6.6	19.4	18	-	31.7	22	79	186230	QSLV2-G3/8-10	1
	6.3	12	21	65.8	6.6	24.2	21.6	-	36.7	27	135	186231	QSLV2-G3/8-12	1
G1/2	6.4	12	21	66.8	7.6	24.2	21.6	-	36.7	27	140	186232	QSLV2-G1/2-12	1

* Packaging unit

Datasheet

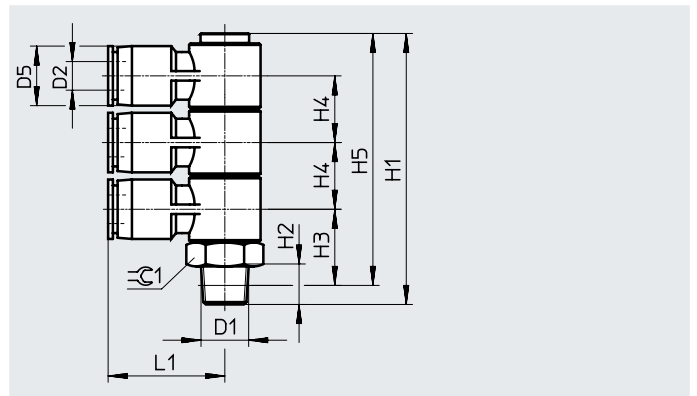
Multiple distributor QSLV3

No. of supply lines: 1

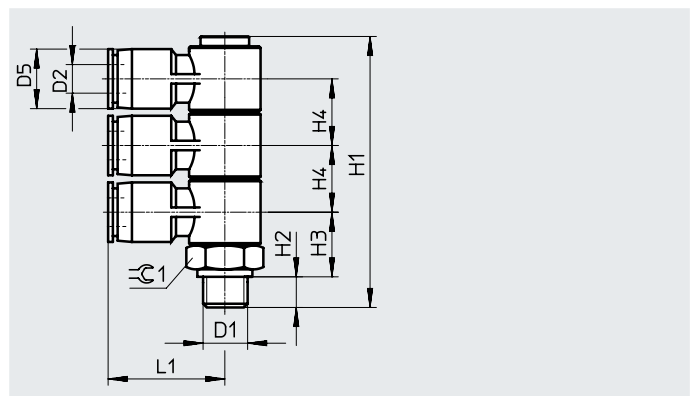
No. of outlets: 3



R thread



G thread



Dimensions and ordering data

Connection	Nominal width	Tubing O.D.	D5	H1	H2	H3	H4	H5	L1	$\approx \pm 1$	Weight/ piece	Part no.	Type	PU*
D1	[mm]	D2	\varnothing								[g]			
R thread														
R1/8	2.4	4	10	54.7	8	15.5	13	50.7	22.2	14	33	153221	QSLV3-1/8-4	1
	3.2	6	12.5	54.7	8	15.5	13	50.7	24.2	14	35	153222	QSLV3-1/8-6	1
	4.3	8	14.5	61.7	8	17.5	15	57.7	27.7	17	56	153224	QSLV3-1/8-8	1
R1/4	3.2	6	12.5	57.7	11	16.5	13	51.7	24.2	14	41	153223	QSLV3-1/4-6	1
	4.2	8	14.5	64.7	11	18.5	15	58.7	27.7	17	59	153225	QSLV3-1/4-8	1
	5.2	10	17.5	75.7	11	22	18	69.7	31.7	22	99	153227	QSLV3-1/4-10	1
R3/8	4.3	8	14.5	65.7	12	19.2	15	59.4	27.7	17	66	153226	QSLV3-3/8-8	1
	5.3	10	17.5	76.7	12	22.7	18	70.4	31.7	22	102	153228	QSLV3-3/8-10	1
	6.4	12	21	90.5	12	27.5	21.6	84.2	36.7	27	171	153229	QSLV3-3/8-12	1
R1/2	6.5	12	21	93.5	15	28.6	21.6	85.3	36.7	27	180	153230	QSLV3-1/2-12	1
G thread with sealing ring														
G1/8	2.4	4	10	53.7	5.1	13.4	13	–	22.2	14	32	186233	QSLV3-G1/8-4	1
	3.2	6	12.5	53.7	5.1	13.4	13	–	24.2	14	35	186234	QSLV3-G1/8-6	1
	4.3	8	14.5	60.7	5.1	15.4	15	–	27.7	17	55	186236	QSLV3-G1/8-8	1
G1/4	3.2	6	12.5	55.2	5.6	14.4	13	–	24.2	17	43	186235	QSLV3-G1/4-6	1
	4.2	8	14.5	61.2	5.6	15.4	15	–	27.7	17	56	186237	QSLV3-G1/4-8	1
	5.2	10	17.5	72.2	5.6	18.9	18	–	31.7	22	96	186239	QSLV3-G1/4-10	1
G3/8	4.3	8	14.5	62.7	6.6	15.9	15	–	27.7	19	65	186238	QSLV3-G3/8-8	1
	5.3	10	17.5	73.3	6.6	19.4	18	–	31.7	22	98	186240	QSLV3-G3/8-10	1
	6.4	12	21	87.5	6.6	24.2	21.6	–	36.7	27	167	186241	QSLV3-G3/8-12	1
G1/2	6.5	12	21	88.5	7.6	24.2	21.6	–	36.7	27	171	186242	QSLV3-G1/2-12	1

*Packaging unit

Multiple distributor QSLV4

Datasheet

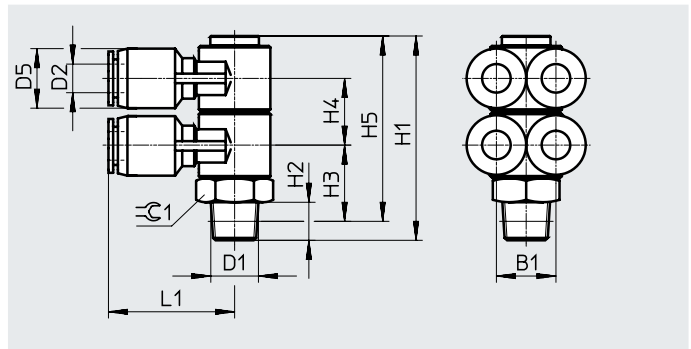
Multiple distributor QSLV4

No. of supply lines: 1

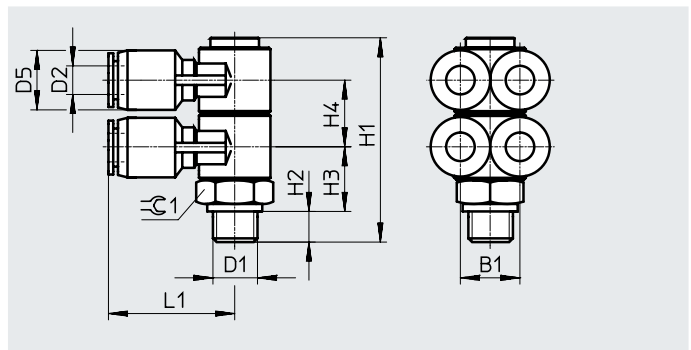
No. of outlets: 4



R thread



G thread



Dimensions and ordering data

Connection	Nominal width [mm]	Tubing O.D.	D5 ø	H1	H2	H3	H4	H5	L1	B1	⊖C1	Weight/ piece [g]	Part no.	Type	PU*
D1		D2													
R thread															
R1/8	2.3	4	10	41.6	8	15.5	13	37.6	22.2	10	14	31	153231	QSLV4-1/8-4	1
	2.9	6	12.5	41.6	8	15.5	13	37.6	24.2	12	14	35	153232	QSLV4-1/8-6	1
	4	8	14.5	46.6	8	17.5	15	42.6	27.7	14	17	54	153234	QSLV4-1/8-8	1
R1/4	2.9	6	12.5	44.6	11	16.5	13	38.6	24.2	12	14	40	153233	QSLV4-1/4-6	1
	4.1	8	14.5	49.6	11	18.5	15	43.6	27.7	14	17	56	153235	QSLV4-1/4-8	1
	5	10	17.5	57.6	11	22	18	51.6	31.7	17	22	95	153237	QSLV4-1/4-10	1
R3/8	4.1	8	14.5	50.6	12	19.2	15	44.3	27.7	14	17	64	153236	QSLV4-3/8-8	1
	5.1	10	17.5	58.6	12	22.7	18	52.3	31.7	17	22	98	153238	QSLV4-3/8-10	1
	6	12	21	68.8	12	27.5	21.6	62.5	36.7	20	27	162	153239	QSLV4-3/8-12	1
R1/2	6.2	12	21	71.8	15	28.6	21.6	63.6	36.7	20	27	171	153240	QSLV4-1/2-12	1
G thread with sealing ring															
G1/8	2.3	4	10	40.6	5.1	13.4	13	-	22.2	10	14	30	186243	QSLV4-G1/8-4	1
	2.9	6	12.5	40.6	5.1	13.4	13	-	24.2	12	14	34	186244	QSLV4-G1/8-6	1
	4	8	14.5	45.6	5.1	15.4	15	-	27.7	14	17	53	186246	QSLV4-G1/8-8	1
G1/4	2.9	6	12.5	42.1	5.6	14.4	13	-	24.2	12	17	42	186245	QSLV4-G1/4-6	1
	4.1	8	14.5	46.1	5.6	15.4	15	-	27.7	14	17	54	186247	QSLV4-G1/4-8	1
	5	10	17.5	54.1	5.6	18.9	18	-	31.7	17	22	92	186249	QSLV4-G1/4-10	1
G3/8	4.1	8	14.5	47.6	6.6	15.9	15	-	27.7	14	19	63	186248	QSLV4-G3/8-8	1
	5.1	10	17.5	55.6	6.6	19.4	18	-	31.7	17	22	94	186250	QSLV4-G3/8-10	1
	6	12	21	65.8	6.6	24.2	21.6	-	36.7	20	27	158	186251	QSLV4-G3/8-12	1
G1/2	6.2	12	21	66.8	7.6	24.2	21.6	-	36.7	20	27	162	186252	QSLV4-G1/2-12	1

* Packaging unit

Datasheet

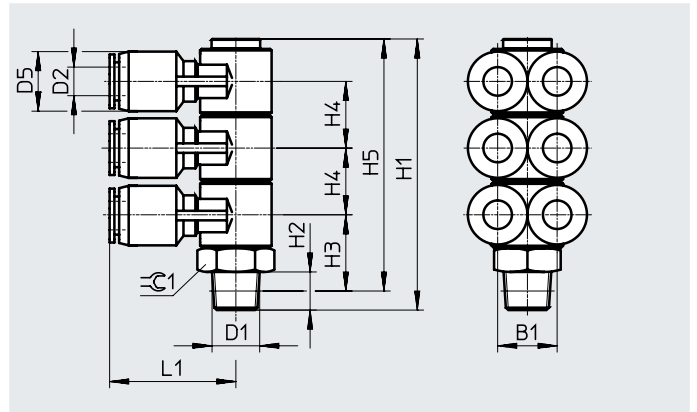
Multiple distributor QSLV6

No. of supply lines: 1

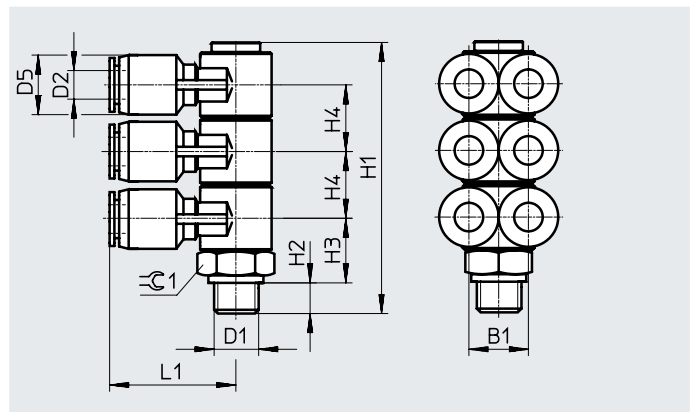
No. of outlets: 6



R thread



G thread



Dimensions and ordering data

Connection	Nominal width	Tubing O.D.	D5	H1	H2	H3	H4	H5	L1	B1	\varnothing 1	Weight/ piece	Part no.	Type	PU*
D1	[mm]	D2	∅									[g]			
R thread															
R1/8	2.3	4	10	54.7	8	15.5	13	50.7	22.2	10	14	40	153241	QSLV6-1/8-4	1
	2.9	6	12.5	54.7	8	15.5	13	50.7	24.2	12	14	45	153242	QSLV6-1/8-6	1
	4	8	14.5	61.7	8	17.5	15	57.7	27.7	14	17	71	153244	QSLV6-1/8-8	1
R1/4	2.9	6	12.5	57.7	11	16.5	13	51.7	24.2	12	14	51	153243	QSLV6-1/4-6	1
	4	8	14.5	64.7	11	18.5	15	58.7	27.7	14	17	73	153245	QSLV6-1/4-8	1
	5.2	10	17.5	75.7	11	22	18	69.7	31.7	17	22	122	153247	QSLV6-1/4-10	1
R3/8	4.1	8	14.5	65.7	12	19.2	15	59.4	27.7	14	17	81	153246	QSLV6-3/8-8	1
	5.2	10	17.5	76.7	12	22.7	18	70.4	31.7	17	22	126	153248	QSLV6-3/8-10	1
	6.3	12	21	90.5	12	27.5	21.6	84.2	36.7	20	27	205	153249	QSLV6-3/8-12	1
R1/2	6.3	12	21	93.5	15	28.6	21.6	85.3	36.7	20	27	214	153250	QSLV6-1/2-12	1
G thread with sealing ring															
G1/8	2.3	4	10	53.7	5.1	13.4	13	-	22.2	10	14	39	186253	QSLV6-G1/8-4	1
	2.9	6	12.5	53.7	5.1	13.4	13	-	24.2	12	14	45	186254	QSLV6-G1/8-6	1
	4	8	14.5	60.7	5.1	15.4	15	-	27.7	14	17	70	186256	QSLV6-G1/8-8	1
G1/4	2.9	6	12.5	55.2	5.6	14.4	13	-	24.2	12	17	53	186255	QSLV6-G1/4-6	1
	4	8	14.5	61.2	5.6	15.4	15	-	27.7	14	17	71	186257	QSLV6-G1/4-8	1
	5.2	10	17.5	72.2	5.6	18.9	18	-	31.7	17	22	119	186259	QSLV6-G1/4-10	1
G3/8	4.1	8	14.5	62.7	6.6	15.9	15	-	27.7	14	19	80	186258	QSLV6-G3/8-8	1
	5.2	10	17.5	73.7	6.6	19.4	18	-	31.7	17	22	122	186260	QSLV6-G3/8-10	1
	6.3	12	21	87.5	6.6	24.2	21.6	-	36.7	20	27	201	186261	QSLV6-G3/8-12	1
G1/2	6.3	12	21	88.5	7.6	24.2	21.6	-	36.7	20	27	205	186262	QSLV6-G1/2-12	1

* Packaging unit

Multiple distributor QST3

Datasheet

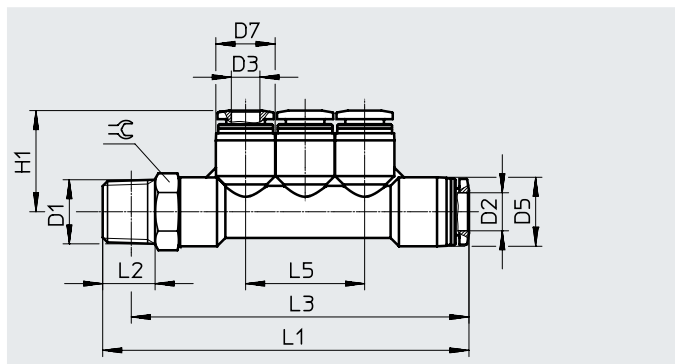
Multiple distributor QST3

No. of supply lines: 1

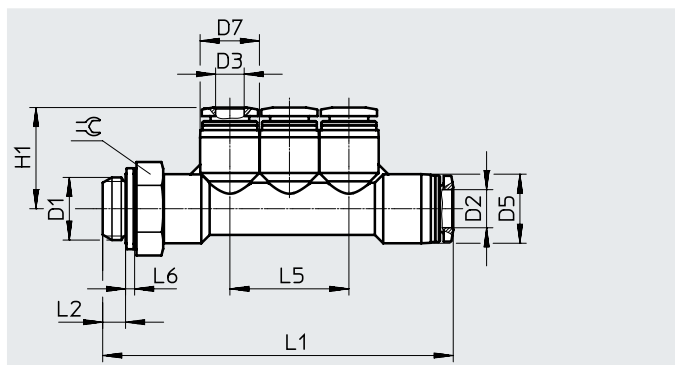
No. of outlets: 4



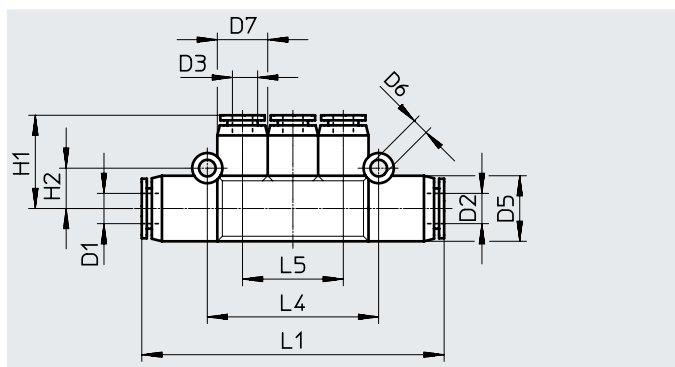
R thread



G thread



Reducing



Dimensions and ordering data

Connection D1	Nom- inal width [mm]	Tubing O.D.		D5 ∅	D6 ∅	D7 ∅	H1	H2	L1	L2	L3	L4	L5	L6	≈	Weight [g]	Part no.	Type	PU*
		D2	D3																
R thread																			
R1/8	3	6	4	12.5	-	10	18.4	-	65.4	8	61.4	-	20	-	12	21	153200	QST3-1/8-6-4	1
R1/4	4.6	8	6	14.5	-	12.5	21.3	-	76.9	11	70.9	-	25	-	14	35	153201	QST3-1/4-8-6	1
R3/8	6.7	10	8	17.5	-	14.5	23.7	-	87.8	12	81.5	-	29	-	17	50	153202	QST3-3/8-10-8	1
G thread with sealing ring																			
G1/8	3	6	4	12.5	-	10	18.4	-	63.5	4.2	-	-	20	1.9	13	21	186217	QST3-G1/8-6-4	1
G1/4	4.6	8	6	14.5	-	12.5	21.3	-	73.6	4.8	-	-	25	1.9	17	35	186218	QST3-G1/4-8-6	1
G3/8	6.7	10	8	17.5	-	14.5	23.7	-	84	5.8	-	-	29	2.4	19	52	186219	QST3-G3/8-10-8	1
Reducing																			
6	2.5	6	4	13	3.3	10	18.5	8	60	-	-	34	20	-	-	16	153203	QST3-6-4	1
8	3.6	8	6	15	3.3	13	21	9	69.5	-	-	40	24	-	-	23	153204	QST3-8-6	1
10	4.9	10	8	18	3.3	15	23.5	10.5	80	-	-	46	28	-	-	33	153205	QST3-10-8	1

* Packaging unit

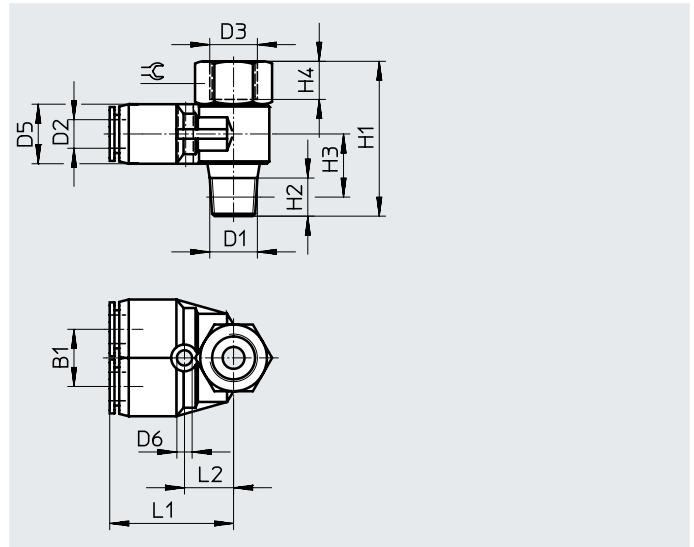
Datasheet

Multiple distributor QSYTF

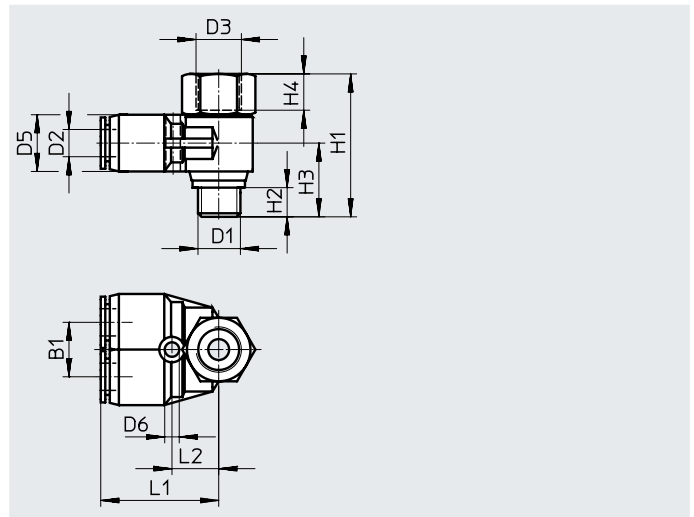
No. of supply lines: 1
No. of outlets: 3



R thread



G thread



Dimensions and ordering data

Connection	Nominal width	Tubing O.D.	B1	D3 ø	D5 ø	D6 ø	H1	H2	H3	H4	L1	L2	⊕	Weight/ piece	Part no.	Type	PU ¹⁾
D1	[mm]	D2												[g]			
R thread and female G thread																	
R1/8	3.1	6	12	G1/8	12.4	3.5	32.5	8	12	7	26.2	10.7	14	27	153196	QSYTF-1/8-6-B	1
R1/4	4.3	8	14	G1/4	14.4	3.2	38.5	11	13.5	9	29.1	12.5	17	43	153197	QSYTF-1/4-8-B	1
R3/8	5.5	10	17	G3/8	17.6	4.2	44.5	12	15.7	11	33.5	15	21	72	153198	QSYTF-3/8-10-B	1
R1/2	6.8	12	20	G1/2	21	4.2	52.2	13	16.5	14	37.4	17	24	109	153199	QSYTF-1/2-12-B	1
G thread with sealing ring																	
G1/8	3.1	6	12	G1/8	12.4	3.2	29.2	5.1	15.2	7	27.5	12	17	32	186213	QSYTF-G1/8-6	1
G1/4	4.3	8	14	G1/4	14.4	3.2	32.9	5.6	16.4	9	30.9	14	19	47	186214	QSYTF-G1/4-8	1
G3/8	5.5	10	17	G3/8	17.6	4.2	41.4	6.6	19.4	11	34	15.5	21	72	186215	QSYTF-G3/8-10	1
G1/2	6.8	12	20	G1/2	21	4.2	47.4	7.6	21.9	14	38.9	18.5	27	127	186216	QSYTF-G1/2-12	1

1) Packaging unit