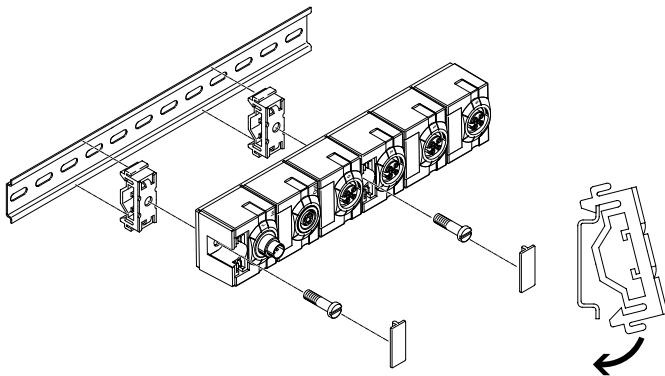


Datasheet

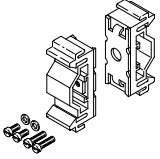
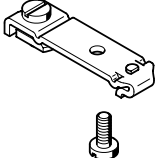
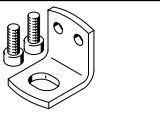

Mounting components enable valve terminals to be attached to walls and machine parts



Examples of H-rail mounting



The base for H-rail mounting is screwed onto the component and the entire unit can then be placed on an H-rail. Depending on the product, mounting holes can be covered by inscription labels.

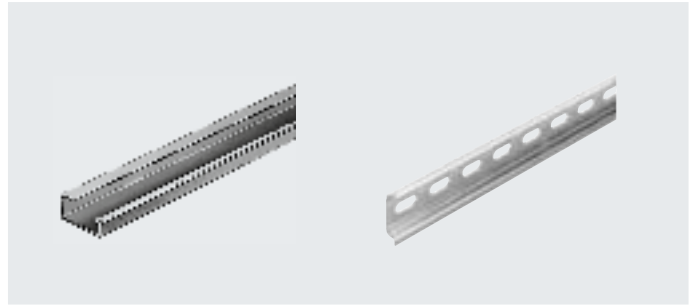
Ordering data	Weight [g]	Material	Function	Dimensions [mm]	Part no.	Type
	35.1	Steel/polymer	Base for H-rail mounting. Is screwed onto the component and the entire unit can then be placed on an H-rail.	47x12x18.1 (LxWxH)	170169	CP-TS-HS-35
	29.9	Cold rolled steel	Mounting material (set) for H-rail mounting. Is screwed onto the component and the entire unit can then be placed on an H-rail. Includes M4x10 screw (combi cross-slot screws).	49.1x13x8.7 (LxWxH) Material thickness: 2	527392	CPASC-BG-NRH
	8.0	Fine grained cold pressed steel	Mounting bracket for mounting valve terminals on even surfaces. Includes 2 M3x9 screws (internal hexagon socket size 2.5)	18x15 (LxW) Material thickness: 2	534416	VMPA-BG-RW
	–	Galvanised steel	Screw available as spare part, to DIN 912	L: 45; Thread: M3	527643	M3x45

Datasheet

DIN mounting rail NR

Mounting rails for manifold mounting of components.

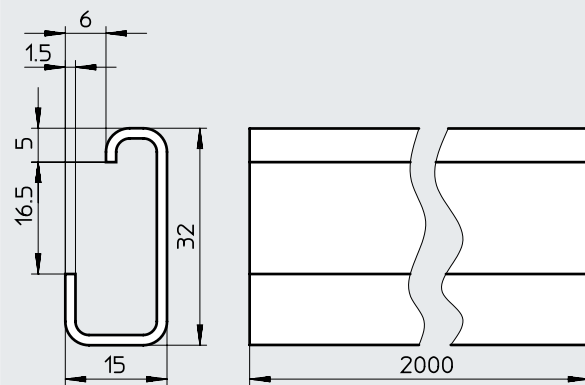
- G rail to DIN EN 50035
- H-rail to EN 60715



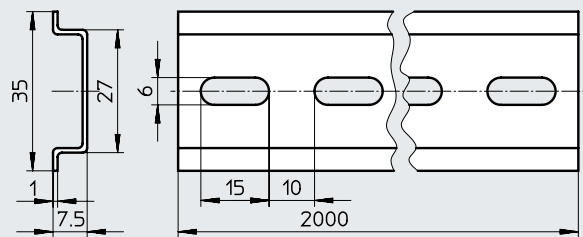
Dimensions

Download CAD data → www.festo.com

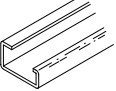
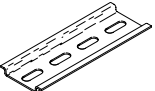
NRC-32-2000



NRH-35-2000



Ordering data

	Description	Length [m]	Product weight [g]	Material	Part no.	Type
	G rail to DIN EN 50035	2	1400	Galvanised steel	6756	NRC-32-2000
	H-rail to EN 60715	2	600	Galvanised steel	35430	NRH-35-2000¹⁾

1) Free of copper, PTFE and silicone