

Instructions – Parts List



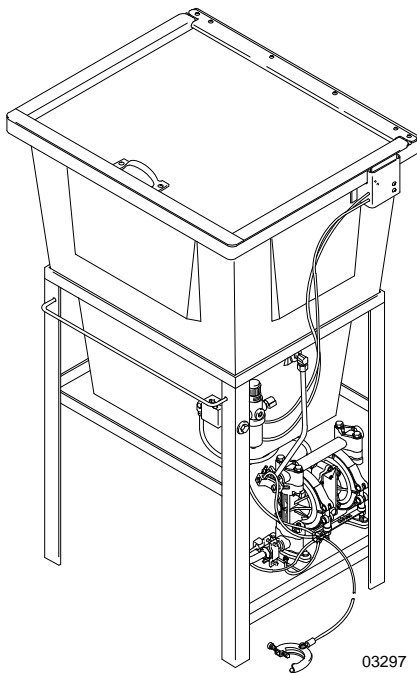
PRO-WASH™ Gun Washer 308393J

With Husky™ 307 Pump

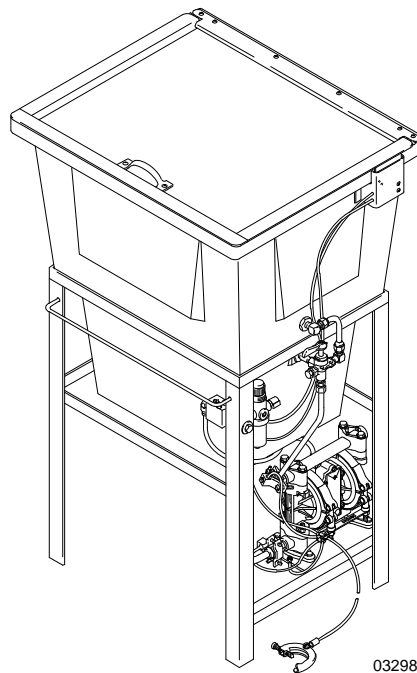
100 psi (0.7 MPa, 7 bar) Maximum Working Pressure



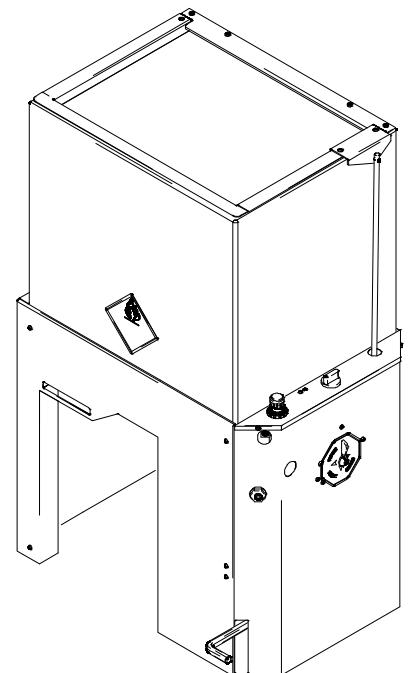
Read warnings and instructions.
See page 2 for **List of Models** and page 5 for **Gun Washer Descriptions**.



Model 112634



Model 112635



Model 117438

Table of Contents

Symbols	2	Operation	12
Warnings	3	Shutdown and Care	17
Gun Washer Descriptions	5	Parts	
Kit Descriptions	6	<i>Model 112634</i>	20
Technical Data	7	<i>Model 112635</i>	22
Dimensional Drawing	8	<i>Model 117438</i>	24
Installation	10	Warranty	26
		Graco Information	26

Symbols

Warning Symbol



This symbol alerts you to the possibility of serious injury or death if you do not follow the instructions.

Caution Symbol



This symbol alerts you to the possibility of damage to or destruction of equipment if you do not follow the instructions.

WARNING



INSTRUCTIONS

EQUIPMENT MISUSE HAZARD

Equipment misuse can cause the equipment to rupture, malfunction, or start unexpectedly and result in serious injury.

- This equipment is for professional use only.
- Read all instruction manuals, tags, and labels before operating the equipment.
- Use the equipment only for its intended purpose.
- Do not alter or modify this equipment. Use only genuine Graco parts and accessories.
- Check the equipment daily. Repair or replace worn or damaged parts immediately.
- Do not exceed the maximum working pressure of the lowest rated system component. This equipment has a **100 psi (0.7 MPa, 7 bar) maximum fluid working pressure at 100 psi (0.7 MPa, 7 bar) maximum incoming air pressure**.
- Do not operate the gun washer at a pressure above the maximum working pressure rating of the gun(s) being cleaned.
- Route the hoses away from the traffic areas, sharp edges, moving parts, and hot surfaces. Do not expose Graco hoses to temperatures above 180°F (82°C) or below -40°F (-40°C).
- Do not use the hoses to pull the equipment.
- Do not move pressurized equipment.
- Use fluids or solvents that are compatible with the equipment wetted parts. See the **Technical Data** section of all the equipment manuals. Read the fluid and solvent manufacturer's warnings.
- Comply with all applicable local, state and national fire, electrical and other safety regulations.



TOXIC FLUID HAZARD

Hazardous fluids or toxic fumes can cause serious injury or death if splashed in the eyes or on the skin, swallowed, or inhaled.

- Know the specific hazards of the fluid you are using. Read the fluid manufacturer's warnings.
- Store hazardous fluid in an approved container. Dispose of hazardous fluid according to all local, state and national guidelines.
- Wear the appropriate protective clothing, gloves, eyewear and respirator.
- Pipe and dispose of the exhaust air safely. If the diaphragm fails, the fluid may be exhausted along with the air. See your separate pump instruction manual for further information.

WARNING



FIRE AND EXPLOSION HAZARD

Improper grounding, poor air ventilation, open flames, or sparks can cause a hazardous condition and result in fire or explosion and serious injury.

- Ground the equipment. See **Grounding** on page 10.
- Provide fresh air ventilation to avoid the buildup of flammable fumes from the solvent.
- Extinguish all the open flames or pilot lights in the gun washer area.
- Electrically disconnect all the equipment in the gun washer area.
- Keep the gun washer area free of debris, including solvent, rags, and gasoline.
- Do not turn on or off any light switch in the gun washer area while operating or if fumes are present.
- Do not smoke in the gun washer area.
- Do not operate a gasoline engine in the gun washer area.
- Follow the gun manufacturers solvent and other cleaning recommendations.
- Use solvent with the highest possible flash point.
- Use non-conductive solvent when cleaning electrostatic guns.
- Do not allow solvent to enter the air passage of an electrostatic gun.
- Do not flush an electrostatic gun with the electrostatics ON-OFF lever in the ON position.
- If there is any static sparking while using the equipment, **stop operation immediately**. Identify and correct the problem.
- Drain the solvent into a proper storage container when the gun washer(s) is not in use.



PRESSURIZED EQUIPMENT HAZARD

Spray from hose leaks, ruptured components, or from operating the gun washer with an open lid can splash fluid in the eyes or on the skin and cause serious injury.

- A safety device has been installed to shut off the pump when the gun washer lid is opened. Do not tamper with or alter this device.
- Open the gun washer lid slowly.
- Do not prop the gun washer lid open with an object or by any other means.
- Do not stop or deflect fluid leaks with your hand, body, glove, or rag.
- Follow the **Pressure Relief Procedure** on page 12 whenever you: are instructed to relieve the pressure; stop operating the gun washer; and clean, check, or service the equipment.
- Tighten all the fluid connections before operating the equipment.
- Check the hoses, tubes, and couplings daily. Replace worn, damaged, or loose parts immediately. Permanently coupled hoses cannot be repaired; replace the entire hose.

Gun Washer Descriptions

Materials of Construction

Gun Washer Model No.	Tank	Fluid Manifold	Lid
112634	plastic	carbon steel	aluminum
112635	plastic	stainless steel	aluminum
117438	stainless steel	stainless steel	stainless steel

*Standard Cleaning Station Configuration Includes:

Gun Washer Model No.	Description	Part No.	Quantity	Used to Clean	Other Features
112634	Long gun support	512800	1	Pressure feed, air spray, & HVLP guns	
	Short gun support	112847	1	Siphon air spray, air-assisted, & air-less guns	
	Spray nozzle	512799	2	Siphon & pressure cups	
112635	Long gun support	512800	2	Pressure feed, air spray, & HVLP guns	Hose wash, (Pot wash capability; order kit 236906)
	Short gun support	112847	1	Siphon air spray, air-assisted, & air-less guns	
	Spray nozzle	512799	1	Siphon & pressure cups	
117438	Long gun support	512800	2	Pressure feed, air spray, & HVLP guns	Hose wash, Foot pedal lid opener (Pot wash capability; order kit 236906)
	Short gun support	112847	1	Siphon air spray, air-assisted, & air-less guns	
	Spray nozzle	512799	1	Siphon & pressure cups	

* The standard gun supports can be replaced with cleaning kits to fit the type of guns or containers being washed. See descriptions on page 6.

Kit Descriptions

Gun, Pressure Cup and Paint Container Cleaning Kits**

To customize the gun washer, order one kit for each cleaning station.

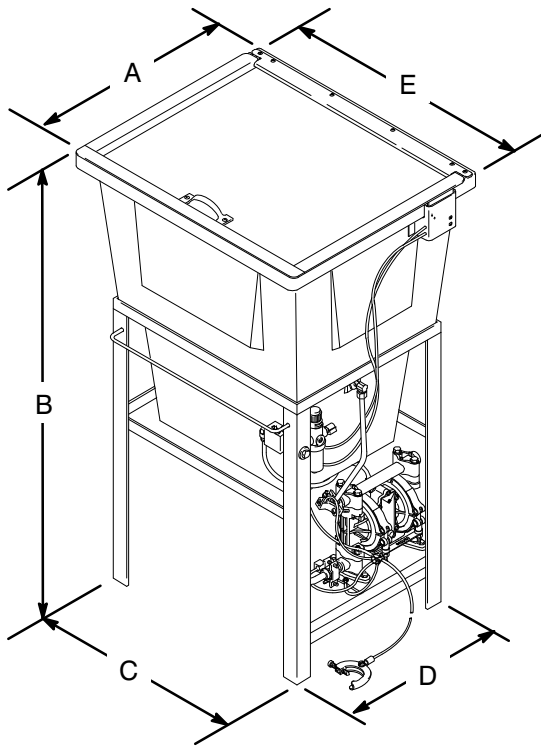
Kit Part No.	Typically Used to Clean	Kit Includes	
		Part No.	Description
236659	Graco PRO AA4500 air-assisted electrostatic guns	195903	Air cap blank
		188406	Tip housing
		183459	Washer (2)
		236689	PRO AA4500 support
		512835	Fluid inlet adapter
		512827	Plug
		512802	Wire trigger lock
236681	Graco PRO 3500 and PRO 4500 air spray electrostatic guns	189573	Air cap blank
		187423	Air cap nut
		176930	Retaining ring
		512884	Short gun support (thick stem)
		512835	Fluid inlet adapter
		512827	Plug
		512802	Wire trigger lock
236905	HVLP, air-assisted, air spray, and airless conventional guns	512800	Long gun support
		112847	Short gun support (thin stem)
		512835	Fluid inlet adapter
		512802	Wire trigger lock
236906	Pressure pots and other paint containers; see page 14 for maximum container size (<i>for use with gun washer models 112635 & 117438 only</i>)	112695	Male coupler assy.
		112696	Female coupler assy.
245270	Graco PRO Xs2, PRO Xs3, and PRO Xs4 air spray electrostatic guns	198741	Air cap blank
		245300	Gun support
		512835	Fluid inlet adapter
		512827	Plug
		512802	Wire trigger lock
		112851	Snap clip
245271	Graco PRO Xs4 AA air-assisted electrostatic guns	198786	Air cap blank
		188406	Housing tip
		183459	Washer (2)
		245300	Gun support
		512835	Fluid inlet adapter
		512827	Plug
		512802	Wire trigger lock
		112851	Snap clip

**To install the accessory kits, see the instruction manuals included with the kits.

Technical Data

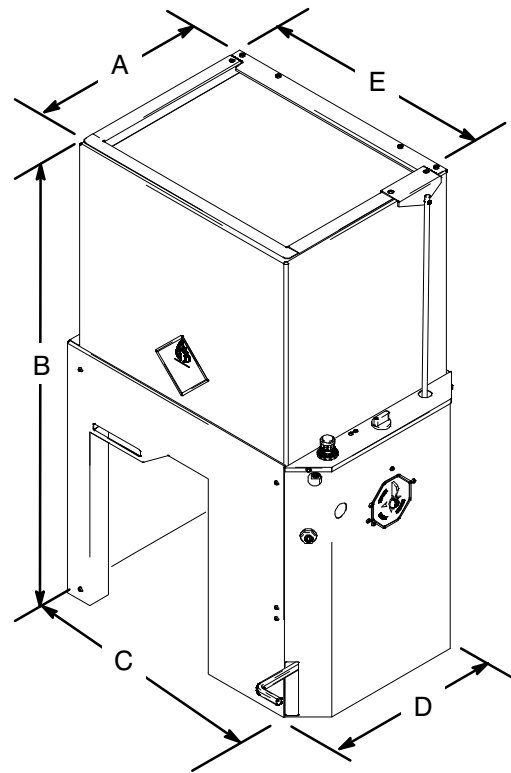
Category	Data
Air Pressure Operating Range <i>Model 112634</i> <i>Model 112635</i> <i>Model 117438</i>	25–100 psi (0.2–0.7 MPa, 1.7–7 bar) 25–100 psi (0.2–0.7 MPa, 1.7–7 bar) 25–100 psi (0.2–0.7 MPa, 1.7–7 bar)
Maximum Tank Capacity	5 gallons (19 liters)
Air Inlet	1/4 npt(f)
Fluid Drain Valve	1 in. npt(m)
Approximate Dry Weight <i>Model 112634</i> <i>Model 112635</i> <i>Model 117438</i>	63 lbs. (28.6 kg) 65 lbs. (29.5 kg) 86 lbs. (39 kg)
Wetted Parts <i>Model 112634</i> <i>Model 112635</i> <i>Model 117438</i>	Carbon Steel, Polyethylene (tank), Stainless Steel, Aluminum, Brass, PTFE, Acetal Stainless Steel, Aluminum, Polyethylene (tank), Brass, Acetal, PTFE Stainless Steel, Brass, Acetal, PTFE

Dimensions



03297

Model 112634 and 112635



Model 117438

Model	Measurements, inches (mm)					
	A	B—with lid closed	B—with lid opened	C	D	E
112634 and 112635	20.75 (527)	42.25 (1073)	61.00 (1549)	20.50 (521)	16.25 (413)	25.12 (638)
117438	19.25 (489)	42.00 (1067)	56.50 (1435)	25.50 (648)	18.00 (457)	24.5 (622)

Installation

Install the Gun Washer

⚠ WARNING



FIRE HAZARD

To prevent hazardous concentrations of flammable and/or toxic vapors, the gun washer must be installed in a properly ventilated paint mixing room or spray booth. Never operate the gun washer unless ventilation fans are operating.

Check and follow all the National, State and Local codes regarding ventilation requirements.

Make sure the gun washer is standing on a level, solid surface.

Grounding

⚠ WARNING



FIRE AND EXPLOSION HAZARD

Improper grounding can cause a hazardous condition and result in fire or explosion and serious injury. Ground the gun washer and all other equipment used or located in the gun washer area.

Check your local electrical code for detailed grounding instructions for your area and type of equipment. Also read the section **FIRE AND EXPLOSION HAZARD**, on page 4.

1. Ground the gun washer and its pump by connecting the clamp end (A) of the gun washer's 15 ft. (4.6 m) ground wire (B) to a true earth ground (C). See Fig. 2.
2. Use only grounded air and fluid hoses with a maximum of 500 ft. (150 m) combined hose length to ensure grounding continuity.
3. Ground the air compressor according to manufacturer's recommendations.
4. Ground all solvent pails used when flushing and draining according to local code. Use only metal pails, which are conductive. Do not place the pail on a non-conductive surface, such as paper or cardboard, which interrupts the grounding continuity.

Connect the Air Line

1. Install an air pressure regulator (D) on the gun washer air supply line to control air pressure to the gun washer. See Fig. 2.
2. Install a bleed-type master air valve (E) upstream and within easy reach of the gun washer to relieve air trapped between this valve and the pump after the air is shut off.

⚠ WARNING

PRESSURIZED EQUIPMENT HAZARD

The *bleed-type master air valve* (E) is required in your system to relieve air trapped between this valve and the pump after the air is shut off. Trapped air can cause the pump to cycle unexpectedly, which could result in serious injury, including splashing in the eyes or on the skin.

3. Install a 1/4 in. npt male coupler (F), that is compatible with the quick disconnect of your air supply line, into the air inlet adapter (G). See Fig. 1.
4. Connect the air line (H) to the coupler (F).

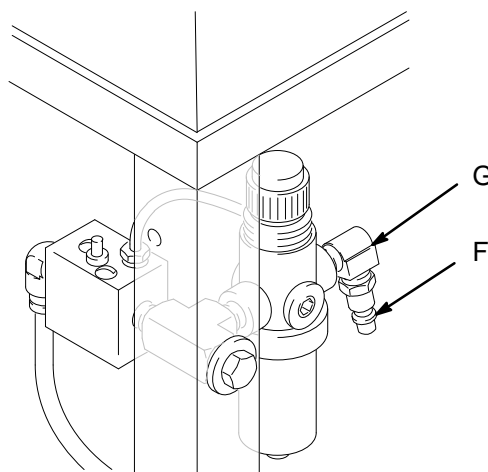


Fig. 1

03302

Installation

Typical Installation and Grounding

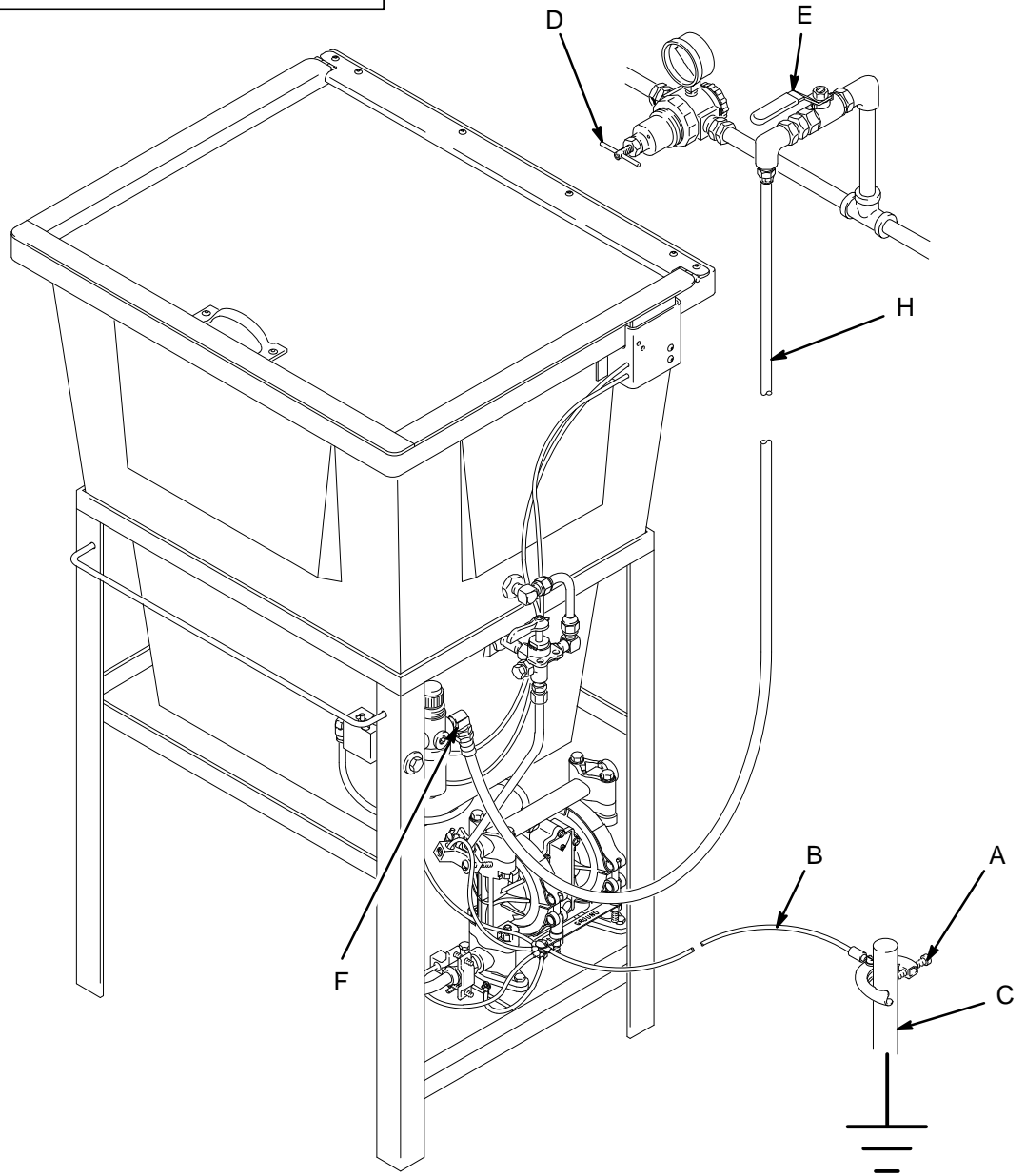


Fig. 2

03301

Operation

WARNING



TOXIC FLUID HAZARD

Hazardous fluids or toxic fumes can cause serious injury or death if splashed in the eyes or on the skin, swallowed, or inhaled.

- Know the specific hazards of the fluid you are using. Read the fluid manufacturer's warnings.
- Wear the appropriate protective clothing, gloves, eyewear and respirator.

WARNING



FIRE AND EXPLOSION HAZARD

To avoid igniting flammable liquid solvent vapors and reduce the risk of serious injury, fire, or explosion:

- Keep all ignition sources, such as static electricity, sparks, arcs, open flames, and hot objects, away from the gun washer.
- Cleanup solvent leaks or spills immediately. Repair leaking components before operating the gun washer again.
- Use solvent with the highest possible flashpoint.
- Follow the **FIRE AND EXPLOSION HAZARD** warnings on page 4.

CAUTION

Use only non-conductive solvents when cleaning electrostatic guns. Conductive solvents can cause the gun to malfunction.

Follow the gun manufacturers solvent and other cleaning recommendations.

Pressure Relief Procedure

WARNING

PRESSURIZED EQUIPMENT HAZARD

The system pressure must be manually relieved to prevent the system from starting accidentally. To reduce the risk of an injury from accidental spray, splashing fluid, or moving parts, follow the **Pressure Relief Procedure** whenever you:

- are instructed to relieve the pressure,
- shut down the gun washer,
- check, clean, or service any of the system equipment.

1. Disconnect the air supply.
2. Drain the solvent into a proper solvent container. Place the container under the fluid drain valve on the bottom of the tank and open the fluid drain valve.

Filling the Gun Washer Fluid Tank

1. Make sure the fluid drain valve is in the closed position. Fill the gun washer fluid tank with solvent as instructed for your gun washer model, below.
2. **Models 112634 and 112635:** Carefully pour solvent into the fluid tank until the fluid level is at least 1/2 inch (12.7 mm) above the filter in the lower portion of the cabinet.

Model 117438: Carefully pour solvent into the fluid tank until the fluid level is just below the bottom of the manifold assembly.

NOTE: Do not pour more than 5 gallons (18.9 liters) of a compatible solvent into the fluid tank.

Operation

Preparing Guns/Cups for the Gun Washer

1. Remove the pressure cup or fluid line and the air line from the spray gun.
2. Drain any excess fluid in the gun or cup into a fluid container. The solvent in the gun washer will last longer if pressure cups are thoroughly emptied before placing them in the gun washer.

CAUTION

All pressure gauges must be removed before placing the equipment in the gun washer to avoid damaging the gauges.

3. To lock the gun trigger in the open position, install the wire trigger lock around the gun handle and trigger as shown in Fig. 3.

If the wire trigger lock does not fit on your electrostatic gun, wrap the chain around the trigger and handle to hold the trigger in an open position.

Placing Guns in the Gun Washer (See Fig. 3, page 14)

The following are guns typically cleaned with the gun washer and how to position them in the gun washer for cleaning. To clean guns not mentioned here, use the fluid inlet adapter and long or short gun supports as needed. Refer also to the chart on page 5 for typical cleaning station usage. Follow the procedure on page 16 to operate the gun washer.

Siphon Feed Guns

Set the gun siphon stem over the short gun support.

Pressure Feed Guns with Cup Lid (2 Qt. Capacity Cups)

Set the cup cover stem over the short gun support as shown in Fig. 3.

Pressure Feed Guns

Set the gun fluid inlet over the long gun support as shown in Fig. 3.

Gravity Feed Guns

Set the gun fluid inlet over the long gun support as shown in Fig. 3.

Electrostatic Guns

The PRO-Wash™ gun washer is approved to clean the Graco PRO 3500, PRO 4500, PRO AA4500, PRO Xs2, PRO Xs3, PRO Xs4, and PRO Xs4 AA electrostatic guns. Consult the manufacturer of any other electrostatic gun before using the PRO-Wash.

A kit, part no. 236659, 236681, 245270, or 245271 is required to clean Graco electrostatic PRO™ guns. See page 6 for kit descriptions.

WARNING



FIRE AND EXPLOSION HAZARD

To reduce the risk of electrostatic shock, fire, or explosion; which could result in serious injury and property damage, be sure to follow these precautions.

- Only use non-conductive solvents when cleaning electrostatic guns.
- Make sure the ES ON-OFF valve lever (electrostatics) is turned to OFF before cleaning the gun.
- Never allow solvent to enter the air passage of any electrostatic gun.
- Never place the gun air inlet over a gun support.
- Only use the fluid inlet adapter provided with the gun washer. Install it on the gun fluid inlet as instructed below.

The following is a general procedure for cleaning electrostatic guns. See the manual supplied with kits 236659 and 245271 (Manual 308411) or kits 236681 and 245270 (Manual 308412) for specific cleaning instructions.

1. Install the electrostatic gun cleaning parts as instructed in the manual supplied with the kit.
2. Make sure the ES ON-OFF lever (electrostatics) is turned to OFF. Refer to your gun manual.
3. Screw the fluid inlet adapter onto the PRO-gun fluid inlet as shown in Fig. 3.
4. Place the gun in the gun washer, setting the fluid inlet adapter over the gun support provided in the electrostatic gun cleaning kit.

Operation

Placing Cups and Pots in the Gun Washer

the kit (Manual 308414) to install and use this option. See page 5 for kit description.

2 Quart Pressure Cups

Set the pressure cup over the spray nozzle. Refer to Fig. 3.

Pressure Pots and Other Paint Containers

A kit, part no. 236906, is available for use with gun washer models 112635 and 117438 to clean pressure pots and other paint containers. The maximum height and width of the container the pressure washers can clean are shown below. See the manual supplied with

Gun Washer Model No.	Container:	
	Maximum Height	Maximum Diameter
112635	14 in. (356 mm)	11 in. (279 mm)
117438	14.5 in. (368 mm)	11 in. (279 mm)

NOTE: See page 6 for descriptions of Gun, Pressure Cup, and Paint Container Cleaning Kits.

Typical Cleaning Station Use

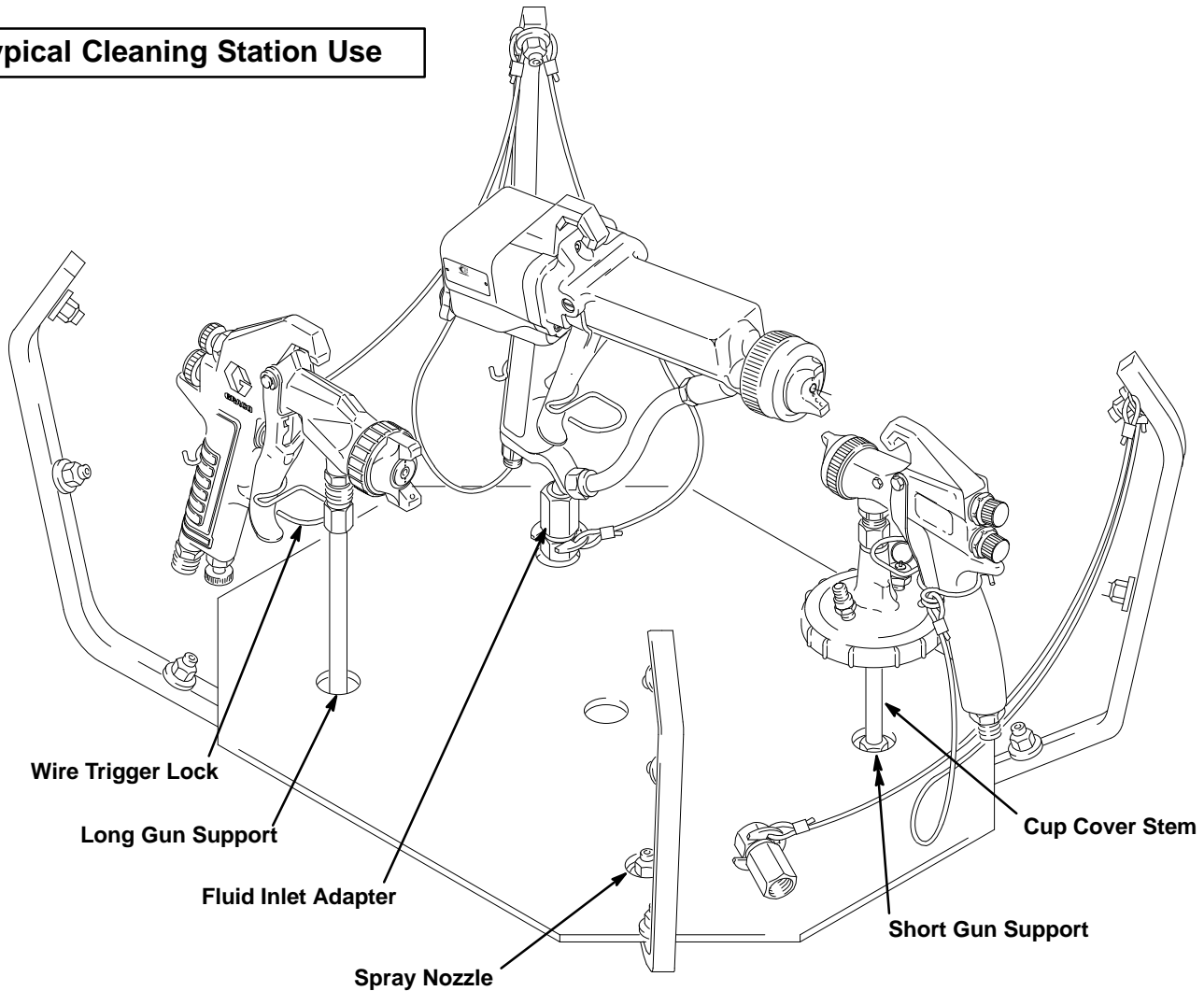


Fig. 3

03304

Operation

Model 112635 – Using the Hose Wash

1. Place the hose entirely inside the gun washer.
2. Connect one end of the hose to the Hose Wash Bulkhead fitting. See Fig. 4.

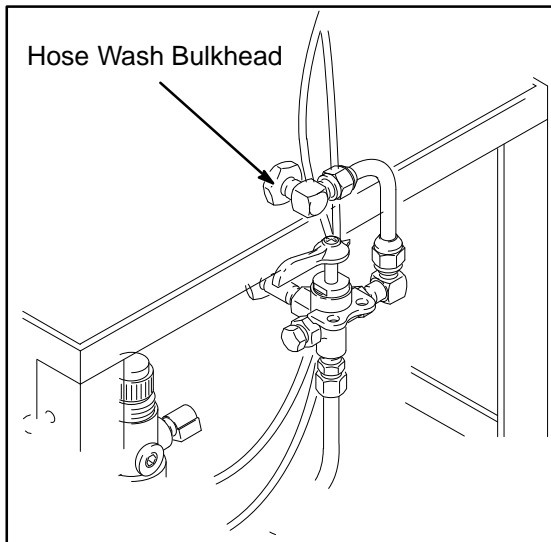


Fig. 4

3. Turn the hose/gun wash selector to HOSE WASH.

NOTE: When the selector is set for Hose Wash, the solvent is routed through the hose wash bulkhead fitting instead of the gun supports and spray nozzles.

Model 117438 – Using the Hose Wash

1. Remove the brass plugs from the Hose Wash Bulkhead. See Fig. 5.

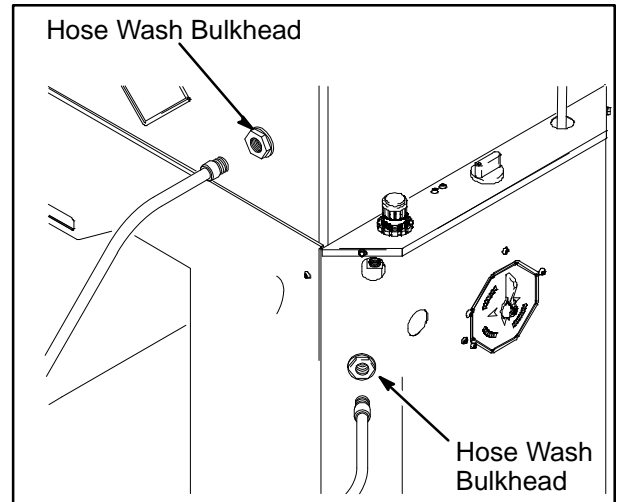


Fig. 5

2. Install a female fluid quick coupler with 1/4 in. npt male threads (suitable for lacquer thinner) into the Hose Wash Bulkheads.
3. Connect the paint line to the couplers.
4. Set the pointer on the shield to hose clean and operate the gun washer.

NOTE: When the selector is set for Hose Wash, the solvent is routed through the Hose Wash Bulkhead fitting instead of the gun supports and spray nozzles.

Operation

Operating the Gun Washer

WARNING



PRESSURIZED EQUIPMENT HAZARD

Do not operate the gun washer with the lid open. Serious injury, including blindness, could result.

- A safety device has been installed to shut off the pump when the gun washer lid is opened. Do not tamper with or alter this device.
- Open the gun washer lid slowly.
- The gun washer lid has been designed to close automatically unless supported by hand (Models 112634 and 112635) or by foot (Model 117438). Do not bypass this safety feature by propping the cover open with an object or by any other means.

WARNING

EQUIPMENT MISUSE HAZARD

To avoid component rupture, which could result in serious injury or property damage, never use an air supply pressure above the gun washer's maximum working pressure of 100 psi (0.7 MPa, 7 bar).

Never operate the gun washer at a pressure above the maximum working pressure rating of the gun(s) being cleaned.

1. Set the air pressure to the gun washer between 40–75 psi (0.3–0.5 MPa, 2.8–5.2 bar), using an air regulator on the gun washer air supply line.

NOTE: All gun washer models include a pump air filter/regulator that has been preset at the factory; do not readjust it. See Fig. 4, page 15.

CAUTION

Do not change the setting on the Husky pump's air filter/regulator as this will damage the regulator.

2. Make sure all adapter chains and cables are inside the gun washer tank.
3. If one or more of the gun mounts is not being used, place a stream blocking device, such as a pint-size can, over the stem supports and the cup spray nozzle not being used to prevent those jets of solvent from hitting the underside of the gun washer lid.
4. Close the gun washer lid.
5. Press the start button on the reset valve block to start the gun washer. Guns, cups, or other paint containers will be cleaned in about 30 to 60 seconds.

NOTE: The cleaning operation should not exceed 60 seconds. Longer operation will not improve the cleaning process and will cause unnecessary wear on the pump.

If the lid is opened while the gun washer is operating, the air supply will automatically shut off and spraying will stop. To restart the pump, close the lid and press the start button.

6. Remove the gun from the gun washer and blow or wipe any solvent remaining on the gun exterior.
7. Hang up the gun until it is used again.

CAUTION

Always hang the gun with its nozzle pointing down to avoid having solvent run into the gun air passages. Solvent in the gun air passages can cause poor atomization and can damage the gun.

Pump Operation and Maintenance

See the pump instruction manual provided with the gun washer for operation and maintenance of the pump.

Shutdown and Care

Gun Washer Shutdown and Care

WARNING

PRESSURIZED EQUIPMENT HAZARD

To reduce the risk of an injury from accidental spray, splashing fluid, or moving parts, follow the **Pressure Relief Procedure**, covered in steps 1 and 2 below, when you shut down the gun washer and before you check, clean, or service any of the system equipment.

1. Disconnect the air supply.
2. Drain the solvent from the gun washer tank daily, when you shut down the system. Place a proper solvent container under the fluid drain valve on the bottom of the tank and open the fluid drain valve.

WARNING



FIRE AND EXPLOSION HAZARD

The PRO-Wash gun washer is classified as a temporary storage container. To reduce the risk of fire or explosion, be sure to drain the solvent into a proper storage container and store it according to the local code for flammable liquids when shutting down your system.

3. Wipe the inside of the tank with a cloth or use a brush to remove any built-up paint residue.
4. Thoroughly clean the gun washer filter (item 12 in the Parts Drawings) with a brush.
5. Change the solvent completely when it is no longer thoroughly cleaning the painting equipment. If the gun washer is being filled with old solvent, be sure to filter the solvent before filling the gun washer tank.

NOTE: If the solvent is thoroughly filtered daily to remove paint residue, it can usually be reused for 2 to 8 weeks (depending on gun washer usage).

WARNING



FIRE AND EXPLOSION HAZARD

To reduce the risk of fire or explosion, always clean-up any solvent leaks or spills immediately. Repair any leaking components before operating the gun washer again.

Air Cut-off Switch and Reset Block

WARNING

EQUIPMENT MISUSE HAZARD

A safety device has been installed to shut off the pump when the gun washer lid is opened. Do not tamper with or alter this device. Serious injury, including blindness, could result.

The air connections between the air cut-off switch and reset block are color coded. They must always be connected as shown in Fig. 6.

Air Cut-off Switch and Reset Block

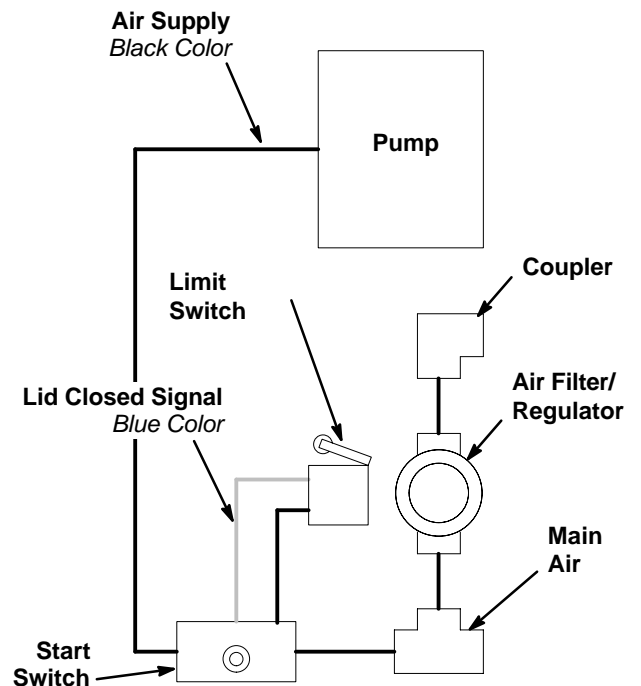


Fig. 6

03306

Shutdown and Care

Check the Gun Washer Electrical Continuity

Check your local electrical code for detailed grounding instructions for your area and type of equipment.

⚠ WARNING

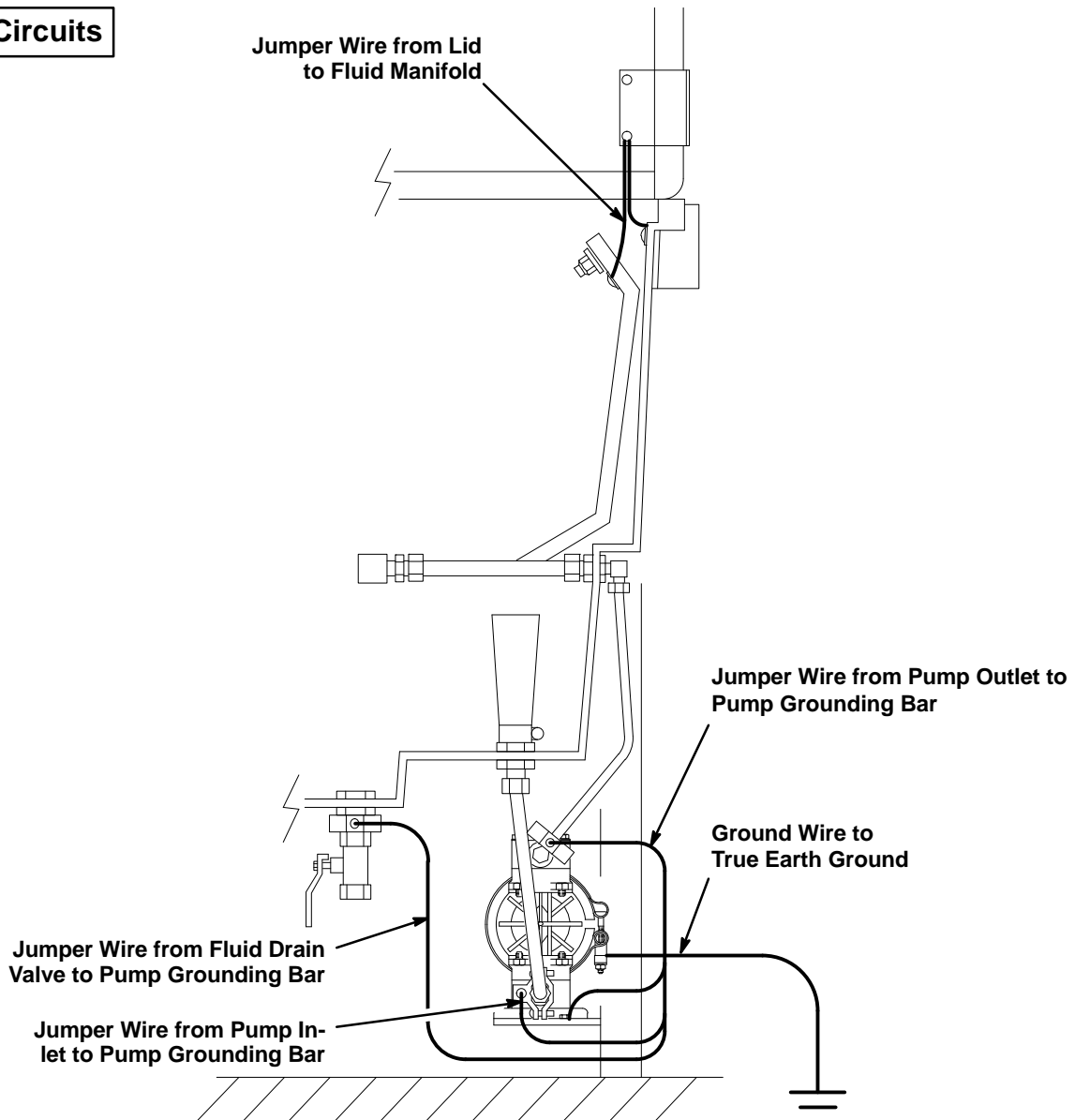


FIRE AND EXPLOSION HAZARD

There must be electrical continuity between the gun washer's fluid tank, divider plate, frame, and main ground wire. To reduce the risk of static sparking, fire, or explosion, check the electrical continuity between all gun washer metallic parts and true earth ground after servicing the gun washer. Make sure the gun washer is properly grounded before operating it again.

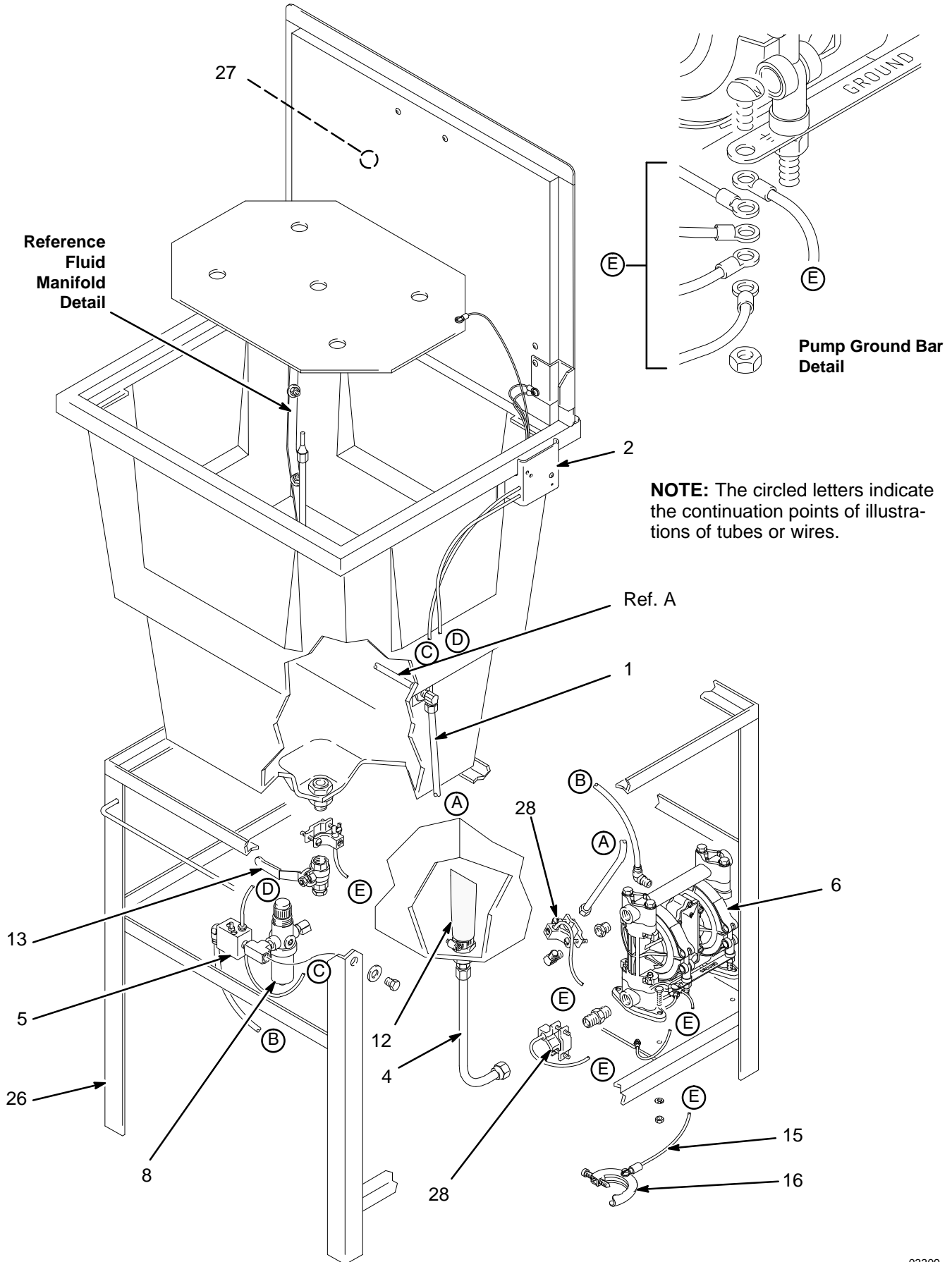
If electrical continuity is lost, check the grounding connections and reconnect them as needed. See Fig. 7 for the gun washers grounding circuits.

Grounding Circuits



Model 112635 shown

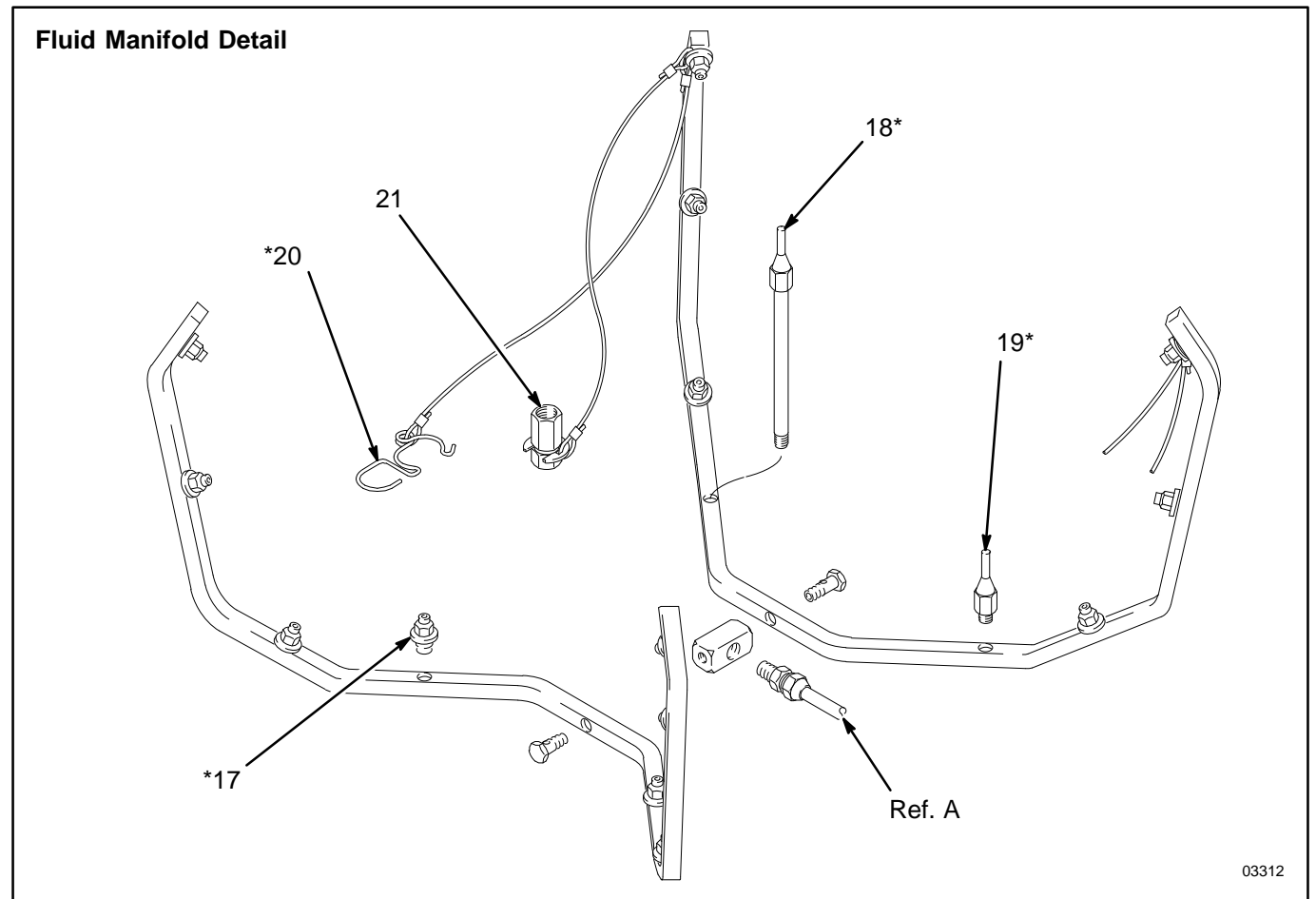
Parts for Model 112634



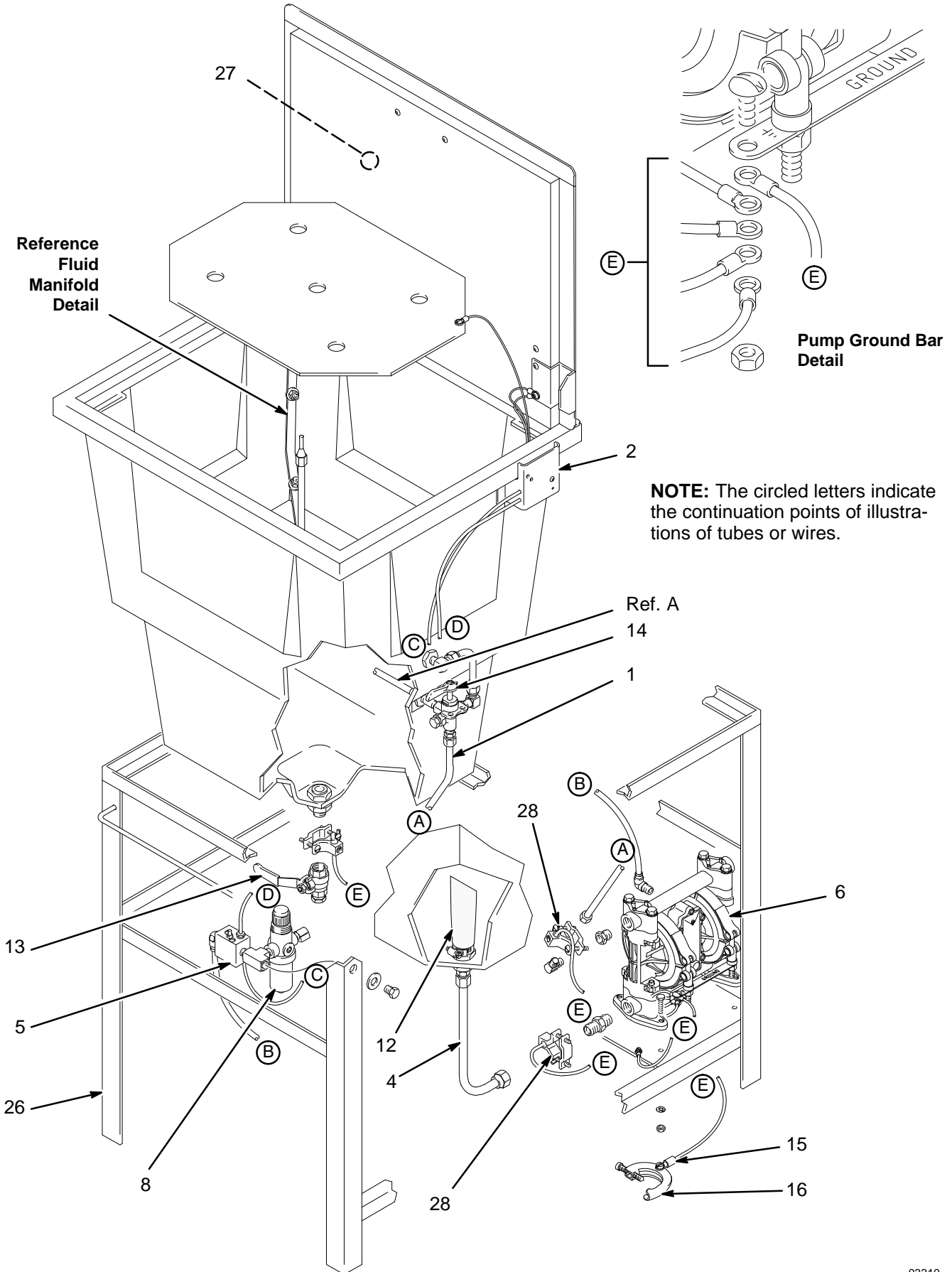
Parts for Model 112634

Model 112634 Gun Washer

Ref. No.	Part No.	Description	Qty.	Ref. No.	Part No.	Description	Qty.
1	112871	OUTLET TUBE, pump	1	19*	—	GUN SUPPORT, short; brass	1
2	512803	SWITCH, air cut-off	1	20*	—	TRIGGER LOCK, wire; stainless steel	2
4	112870	INTAKE TUBE, pump	1	21*	—	ADAPTER, gun fluid inlet; brass	2
5	512804	BLOCK, reset valve	1	26	112703	FRAME, gun washer	1
6	D31211	PUMP, Husky 307; See manual 308553 to order parts	1	27▲	186527	LABEL, warning, gun washer	1
8	512838	REGULATOR, air filter	1	28	513049	JUMPER, ground	4
12	512829	FILTER, fluid	1	* These parts are included in Gun Washer Kit 236905, which may be purchased separately. See page 6 for other kits that are available.			
13	112873	VALVE, fluid drain; brass	1	▲ Replacement Danger and Warning labels, tags and cards are available at no cost.			
15	512871	WIRE, grounding	1				
16	103538	CLAMP, grounding	1				
17	512799	NOZZLE, spray; plastic	14				
18*	—	GUN SUPPORT, long; brass	1				



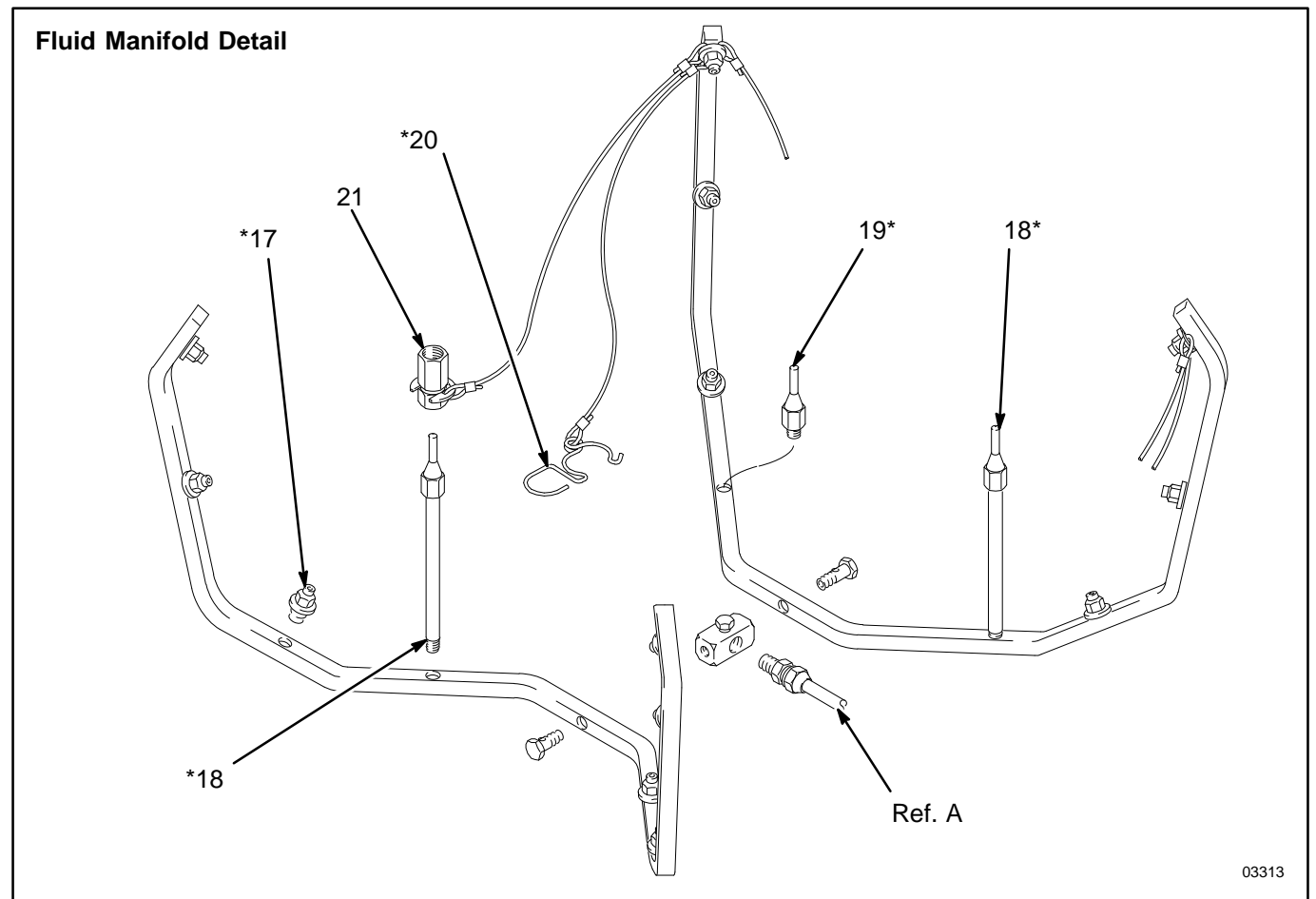
Parts for Model 112635



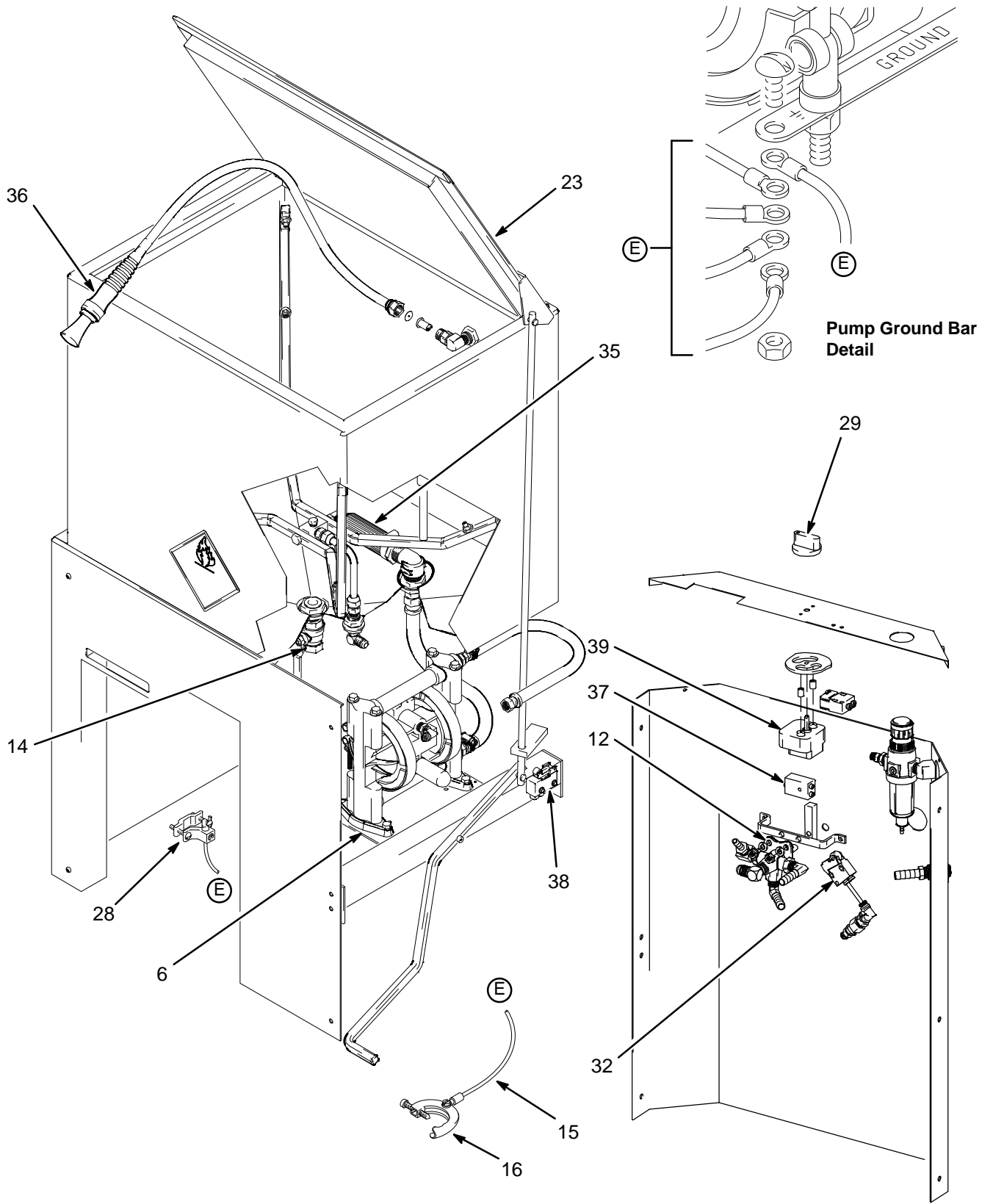
Parts for Model 112635

Model 112635 Gun Washer

Ref. No.	Part No.	Description	Qty.	Ref. No.	Part No.	Description	Qty.
1	112871	OUTLET TUBE, pump	1	19*	—	GUN SUPPORT, short; brass	1
2	512803	SWITCH, air cut-off	1	20*	—	TRIGGER LOCK, wire; stainless steel	3
4	112870	INTAKE TUBE, pump	1	21*	—	ADAPTER, gun fluid inlet; brass	3
5	512804	BLOCK, reset valve	1	26	112703	FRAME, gun washer	1
6	D31211	PUMP, Husky 307; See manual 308553 to order parts	1	27▲	186527	LABEL, warning, gun washer	1
8	512838	REGULATOR, air filter	1	28	513049	JUMPER, ground	4
12	512829	FILTER, fluid	1	* These parts are included in Gun Washer Kit 236905, which may be purchased separately. See page 6 for other kits that are available.			
13	112873	VALVE, fluid drain; brass	1	▲ Replacement Danger and Warning labels, tags and cards are available at no cost.			
14	112875	VALVE, 3-way	1				
15	512871	WIRE, grounding	1				
16	103538	CLAMP, grounding	1				
17	512799	NOZZLE, spray; plastic	13				
18*	—	GUN SUPPORT, long; brass	2				



Parts for Model 117438



Parts for Model 117438

Model 117438 Gun Washer

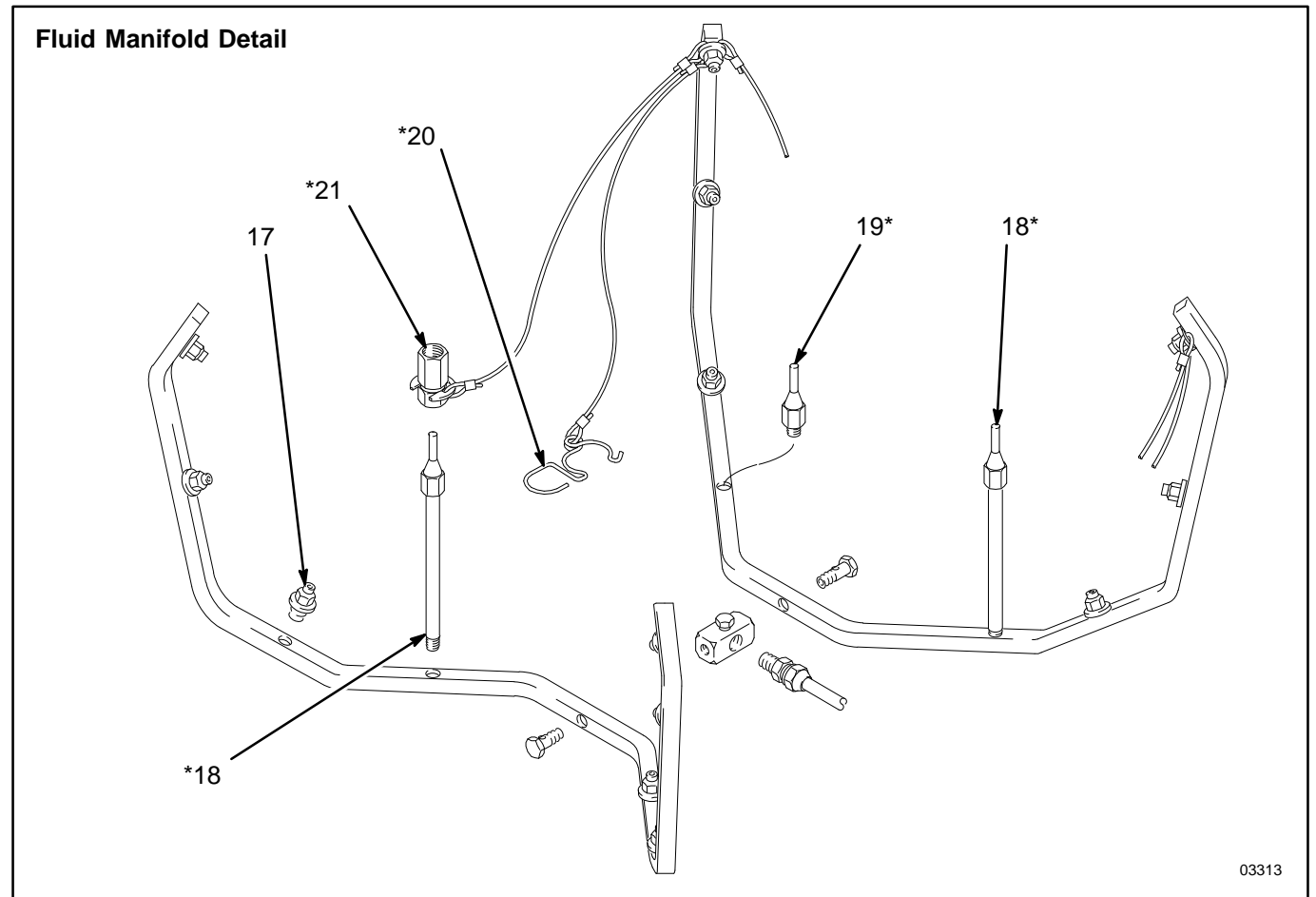
Ref.

Ref. No.	Part No.	Description	Qty.
6	D31211	PUMP, Husky 307; See manual 308553 to order parts	1
12	112875	VALVE, 3-way	1
14	112873	VALVE, ball	1
15	512871	WIRE, grounding	1
16	103538	CLAMP, grounding (not shown)	1
17	512799	NOZZLE, spray; plastic	13
18*	—	GUN SUPPORT, long; brass	2
19*	—	GUN SUPPORT, short; brass	1
20*	512802	TRIGGER LOCK, wire; stainless steel	3
21*	512835	ADAPTER, gun fluid inlet; brass	3
23	513284	GASKET, lid	1

Ref. No.	Part No.	Description	Qty.
28	513049	JUMPER, ground	4
29	117415	KNOB, timer	1
35	117422	FILTER, fluid	1
36	117428	BRUSH, gun wash, manual	1
37	117432	VALVE, OR	1
38	117433	VALVE, limit	1
39	117434	TIMER	1

* These parts are included in Gun Washer Kit 236905, which may be purchased separately. See page 6 for other kits that are available.

▲ Replacement Danger and Warning labels, tags and cards are available at no cost.



Graco Standard Warranty

Graco warrants all equipment manufactured by Graco and bearing its name to be free from defects in material and workmanship on the date of sale to the original purchaser for use. With the exception of any special, extended, or limited warranty published by Graco, Graco will, for a period of twelve months from the date of sale, repair or replace any part of the equipment determined by Graco to be defective. This warranty applies only when the equipment is installed, operated and maintained in accordance with Graco's written recommendations.

This warranty does not cover, and Graco shall not be liable for general wear and tear, or any malfunction, damage or wear caused by faulty installation, misapplication, abrasion, corrosion, inadequate or improper maintenance, negligence, accident, tampering, or substitution of non-Graco component parts. Nor shall Graco be liable for malfunction, damage or wear caused by the incompatibility of Graco equipment with structures, accessories, equipment or materials not supplied by Graco, or the improper design, manufacture, installation, operation or maintenance of structures, accessories, equipment or materials not supplied by Graco.

This warranty is conditioned upon the prepaid return of the equipment claimed to be defective to an authorized Graco distributor for verification of the claimed defect. If the claimed defect is verified, Graco will repair or replace free of charge any defective parts. The equipment will be returned to the original purchaser transportation prepaid. If inspection of the equipment does not disclose any defect in material or workmanship, repairs will be made at a reasonable charge, which charges may include the costs of parts, labor, and transportation.

THIS WARRANTY IS EXCLUSIVE, AND IS IN LIEU OF ANY OTHER WARRANTIES, EXPRESS OR IMPLIED, INCLUDING BUT NOT LIMITED TO WARRANTY OF MERCHANTABILITY OR WARRANTY OF FITNESS FOR A PARTICULAR PURPOSE.

Graco's sole obligation and buyer's sole remedy for any breach of warranty shall be as set forth above. The buyer agrees that no other remedy (including, but not limited to, incidental or consequential damages for lost profits, lost sales, injury to person or property, or any other incidental or consequential loss) shall be available. Any action for breach of warranty must be brought within two (2) years of the date of sale.

Graco makes no warranty, and disclaims all implied warranties of merchantability and fitness for a particular purpose in connection with accessories, equipment, materials or components sold but not manufactured by Graco. These items sold, but not manufactured by Graco (such as electric motors, switches, hose, etc.), are subject to the warranty, if any, of their manufacturer. Graco will provide purchaser with reasonable assistance in making any claim for breach of these warranties.

In no event will Graco be liable for indirect, incidental, special or consequential damages resulting from Graco supplying equipment hereunder, or the furnishing, performance, or use of any products or other goods sold hereto, whether due to a breach of contract, breach of warranty, the negligence of Graco, or otherwise.

FOR GRACO CANADA CUSTOMERS

The parties acknowledge that they have required that the present document, as well as all documents, notices and legal proceedings entered into, given or instituted pursuant hereto or relating directly or indirectly hereto, be drawn up in English. Les parties reconnaissent avoir convenu que la rédaction du présente document sera en Anglais, ainsi que tous documents, avis et procédures judiciaires exécutés, donnés ou intentés à la suite de ou en rapport, directement ou indirectement, avec les procédures concernées.

Graco Information

TO PLACE AN ORDER, contact your Graco distributor, or call one of the following numbers to identify the distributor closest to you:

1-800-328-0211 Toll Free

612-623-6921

612-378-3505 Fax

All written and visual data contained in this document reflects the latest product information available at the time of publication. Graco reserves the right to make changes at any time without notice.

Original instructions. This manual contains English. MM 308393

Graco Headquarters: Minneapolis

International Offices: Belgium, China, Japan, Korea

GRACO INC. P.O. BOX 1441 MINNEAPOLIS, MN 55440-1441

Copyright 1991, Graco Inc. is registered to ISO 9001

www.graco.com

Revision J, June 2017