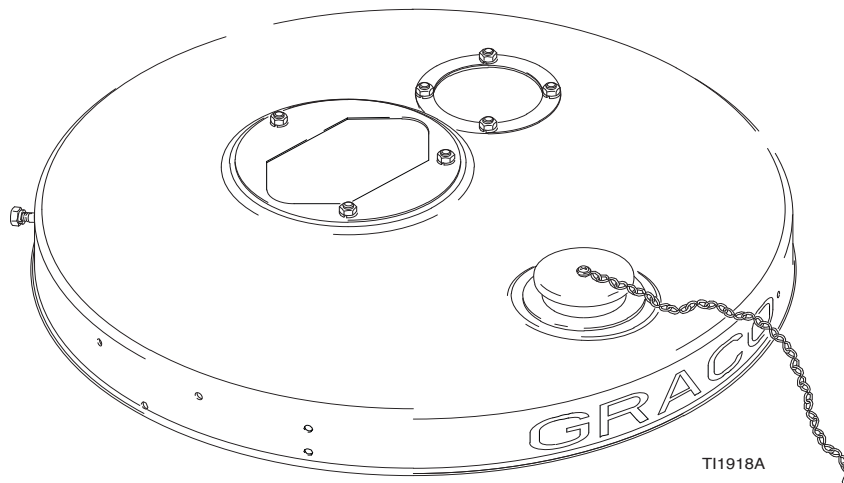


## STAINLESS STEEL, PASSIVATED Drum Covers

308466J

EN



### **Important Safety Instructions.**

Read all warnings and instructions in this manual.  
Save these instructions.

# Contents

Part No. 237306 Drum Cover, Series A . . . . .	3
Part No. 237307 Drum Cover, Series A . . . . .	3
Part No. 237308 Drum Cover, Series A . . . . .	4
Part No. 237309 Drum Cover, Series A . . . . .	4
Part No. 237310 Drum Cover, Series A . . . . .	5
Part No. 237949 Drum Cover, Series A . . . . .	5
Part No. 238008 Drum Cover, Series A . . . . .	6
Part No. 238283 Drum Cover, Series A . . . . .	6
Part No. 17S314 Drum Cover, Series A . . . . .	6
Part No. 24Y564 Drum Cover, Series A . . . . .	7
Part No. 237524 Optional Handle Kit . . . . .	8
Part No. 237571 Optional Siphon Tube Adapter Plate	8
Part No. 112924 Drum Cover Lip Gasket . . . . .	8
Part No. 237525 Elevator Retrofit Kit . . . . .	8
Notes . . . . .	9
Graco Standard Warranty . . . . .	10
Graco Information . . . . .	10

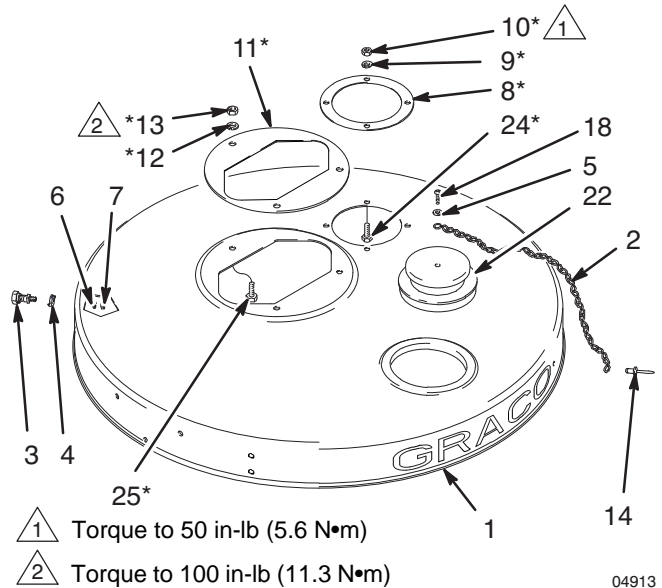
**Part No. 237306 Drum Cover, Series A**

For President, Monark, Standard\*\*, and Fast-Flo\*\* Pumps, and 206758 Agitator

Ref No.	Part No.	Description	Qty
1	190193	COVER, bare; 304 stainless steel	1
2	068097	CHAIN, plug; stainless steel	12 in.
3	104029	STUD, grounding	1
4	180755	WASHER, tab	1
5	104116	WASHER; no. 10; stainless steel	1
6	112903	WASHER, spring lock; M5; 304 sst	1
7	112899	NUT, hex; M5 x 0.8; stainless steel	1
8*	190192	GASKET, agitator; polyethylene	1
9*	104123	WASHER, spring lock; 1/4; 304 sst	4
10*	104121	NUT, hex; 1/4-20; zinc-plated steel	4
11*	190190	GASKET, pump; polyethylene	1
12*	112904	WASHER, spring lock; 5/16; 304 sst	3
13*	108946	NUT, hex; 5/16-18; sst	3
14	113038	RIVET; sst	1
18	112948	SCREW; 10-32 x 1/2 in. (13 mm); 300 sst	1
22	237606	PLUG; polyethylene	1
24*	102023	SCREW; 1/4-20 x 3/4 in. (19 mm); 304 sst	4
25*	112894	SCREW; 5/16-18 x 3/4 in. (19 mm); 304 sst	3

\* These parts are shipped unassembled.

\*\* Standard and Fast-Flo Pumps also require part no. 237571 Adapter Plate (see Page 8).



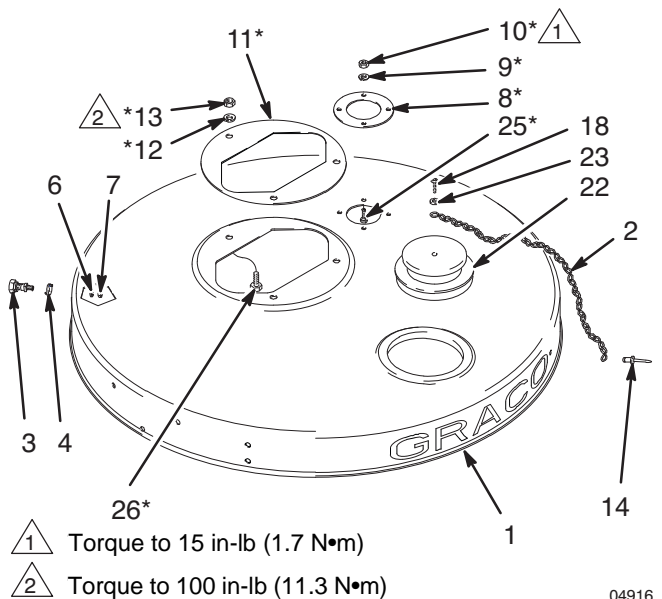
04913

**Part No. 237307 Drum Cover, Series A**

For President and Monark Pumps, and 204995 and 203711 Agitators

Ref No.	Part No.	Description	Qty
1	190194	COVER, bare; 304 stainless steel	1
2	068097	CHAIN, plug; stainless steel	12 in.
3	104029	STUD, grounding	1
4	180755	WASHER, tab	1
6	112903	WASHER, spring lock; M5; 304 sst	1
7	112899	NUT, hex; M5 x 0.8; stainless steel	1
8*	190191	GASKET, agitator; polyethylene	1
9*	112906	WASHER, spring lock; 1/4; 304 sst	4
10*	112901	NUT, hex; 1/4-20; sst	4
11*	190190	GASKET, pump; polyethylene	1
12*	112904	WASHER, spring lock; 5/16; 304 sst	3
13*	108946	NUT, hex; 5/16-18; sst	3
14	113038	RIVET; sst	1
18	112948	SCREW; 10-32 x 1/2 in. (13 mm); 300 sst	1
22	237606	PLUG; polyethylene	1
23	104116	WASHER; no. 10; stainless steel	1
25*	110345	SCREW; 10-32 x 5/8 in. (16 mm); sst	4
26*	112894	SCREW; 5/16-18 x 3/4 in. (19 mm); 304 sst	3

\* These parts are shipped unassembled.

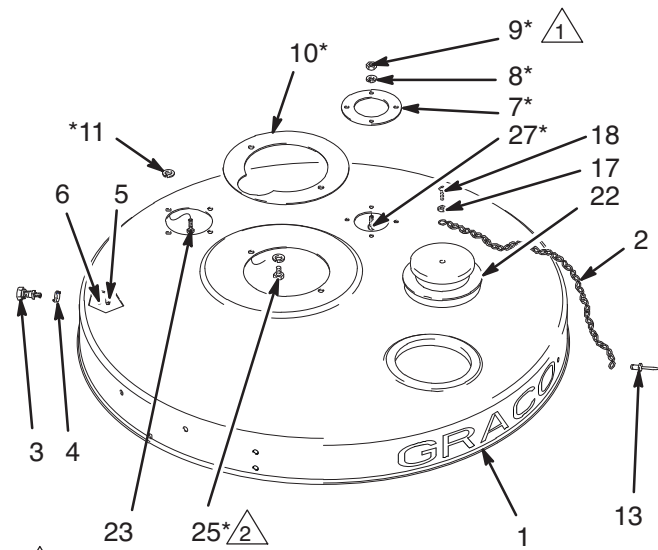


04916

**Part No. 237308 Drum Cover, Series A**  
**For President Pumps, and 204995 and 206219 Agitators**

Ref No.	Part No.	Description	Qty
1	190195	COVER, bare; 304 stainless steel	1
2	068097	CHAIN, plug; stainless steel	12 in.
3	104029	STUD, grounding	1
4	180755	WASHER, tab	1
5	112899	NUT, hex; M5 x 0.8; stainless steel	1
6	112903	WASHER, spring lock; M5; 304 sst	1
7*	190191	GASKET, agitator; polyethylene	1
8*	112906	WASHER, spring lock; no. 10; 304 sst	4
9*	112901	NUT, hex; 10-32; sst	4
10*	190183	GASKET, pump; polyethylene	1
11*	104123	WASHER, spring lock; 1/4; 304 sst	4
13	113038	RIVET; sst	1
17	104116	WASHER; no. 10; stainless steel	1
18	112948	SCREW; 10-32 x 1/2 in. (13 mm); 300 sst	1
22	237606	PLUG; polyethylene	1
23	112925	SCREW; 1/4-20 x 1/2 in. (13 mm)	2
25*	102235	SCREW; 1/4-20 x 1/2 in. (13 mm); sst	2
27*	110345	SCREW; 10-32 x 5/8 in. (16 mm); sst	4

\* These parts are shipped unassembled.



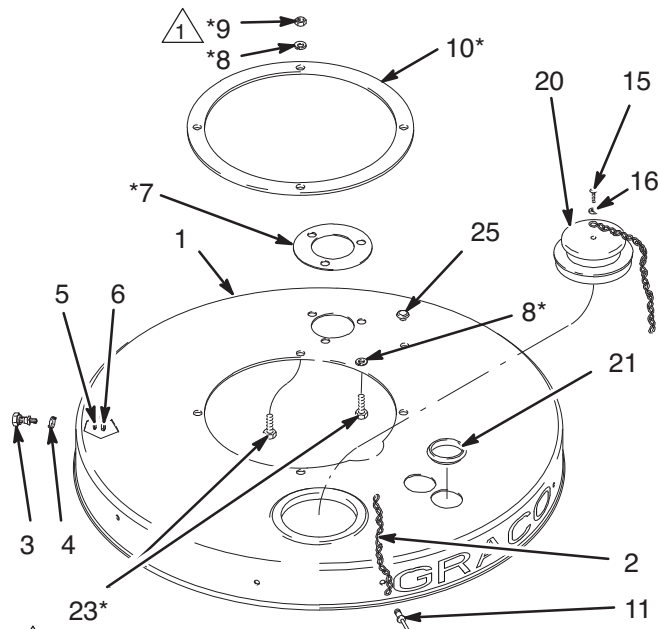
- 1 Torque to 15 in-lb (1.7 N•m)
- 2 Torque to 50 in-lb (5.6 N•m)

04918

**Part No. 237309 Drum Cover, Series A**  
**For King, Bulldog, Senator, and President Pumps, and 205715 Agitator**

Ref No.	Part No.	Description	Qty
1	190196	COVER, bare; 304 stainless steel	1
2	068097	CHAIN, plug; stainless steel	12 in.
3	104029	STUD, grounding	1
4	180755	WASHER, tab	1
5	112903	WASHER, spring lock; M5; 304 sst	1
6	112899	NUT, hex; M5 x 0.8; stainless steel	1
7*	190216	GASKET, agitator; polyethylene	1
8*	103975	WASHER, spring lock; 3/8; 304 sst	7
9*	112913	NUT, hex; 3/8-16; sst	4
10*	190182	GASKET, pump; LDPE foam	1
11	113038	RIVET; sst	1
15	112948	SCREW; 10-32 x 1/2 in. (13 mm); 300 sst	1
16	104116	WASHER; no. 10; stainless steel	1
20	237606	PLUG; polyethylene	1
21	104691	CAP, plug; polyethylene	2
23*	102471	SCREW; 3/8-16 x 1 in. (25 mm); sst	7
25	113711	PLUG, button	1

\* These parts are shipped unassembled.



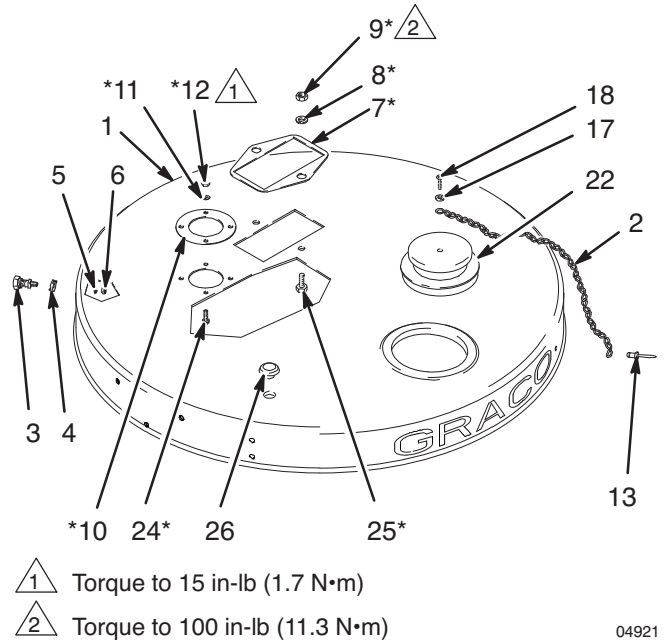
- 1 Torque to 180 in-lb (20.3 N•m)

04920B

**Part No. 237310 Drum Cover, Series A**  
**For Standard Pumps, and 204995 and 206219 Agitators**

Ref No.	Part No.	Description	Qty
1	190197	COVER, bare; 304 stainless steel	1
2	068097	CHAIN, plug; stainless steel	12 in.
3	104029	STUD, grounding	1
4	180755	WASHER, tab	1
5	112903	WASHER, spring lock; M5; 304 sst	1
6	112899	NUT, hex; M5 x 0.8; stainless steel	1
7*	190225	GASKET, pump; polyethylene	1
8*	112904	WASHER, spring lock; 5/16; 304 sst	2
9*	108946	NUT, hex; 5/16-18; sst	2
10*	190191	GASKET, agitator; polyethylene	1
11*	112906	WASHER, spring lock; no. 10; 304 sst	4
12*	112901	NUT, hex; 10-32; sst	4
13	113038	RIVET	1
17	104116	WASHER; no. 10; stainless steel	1
18	112948	SCREW; 10-32 x 1/2 in. (13 mm); 300 sst	1
22	237606	PLUG; polyethylene	1
24*	110345	SCREW; 10-32 x 5/8 in. (16 mm); sst	4
25*	112894	SCREW; 5/16-18 x 3/4 in. (19 mm); 304 sst	2
26	113550	PLUG, button	3

\* These parts are shipped unassembled.

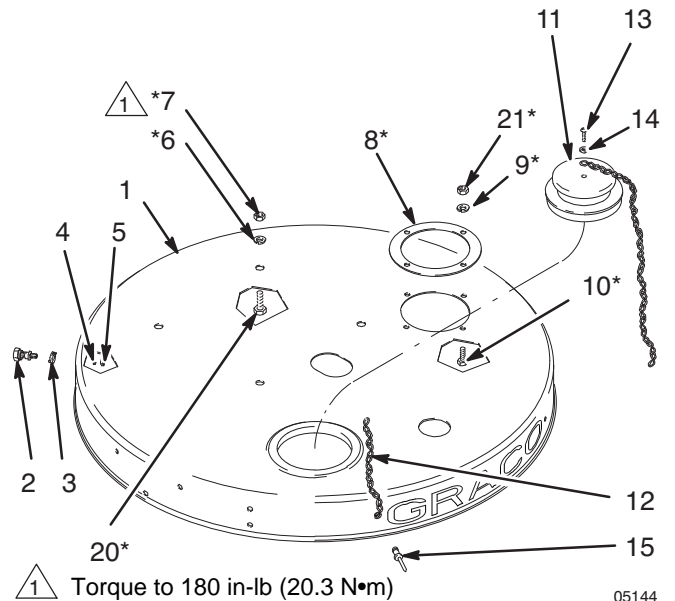


04921

**Part No. 237949 Drum Cover, Series A**  
**For Glutton Pumps**

No.	Part No.	Description	Qty
1	190736	COVER, bare; 304 stainless steel	1
2	104029	STUD, grounding	1
3	180755	WASHER, tab	1
4	112903	WASHER, spring lock; M5; 304 sst	1
5	112899	NUT, hex; M5 x 0.8; stainless steel	1
6*	103975	WASHER, spring lock; 3/8; 304 sst	4
7*	112913	NUT, hex; 3/8-16; sst	4
8*	190192	GASKET, agitator; polyethylene	1
9*	104123	WASHER, spring lock; 1/4; 304 sst	4
10*	102023	SCREW; 1/4-20 x 3/4 in. (19 mm); 304 sst	4
11	237606	PLUG; polyethylene	1
12	068097	CHAIN, plug; stainless steel	12 in.
13	112948	SCREW; 10-32 x 1/2 in. (13 mm); 300 sst	1
14	104116	WASHER; no. 10; stainless steel	1
15	113038	RIVET; sst	1
20*	102471	SCREW; 3/8-16 x 1 in. (25 mm); sst	4
21*	104121	NUT, hex; 1/4-20; zinc-plated steel	4

\* These parts are shipped unassembled.

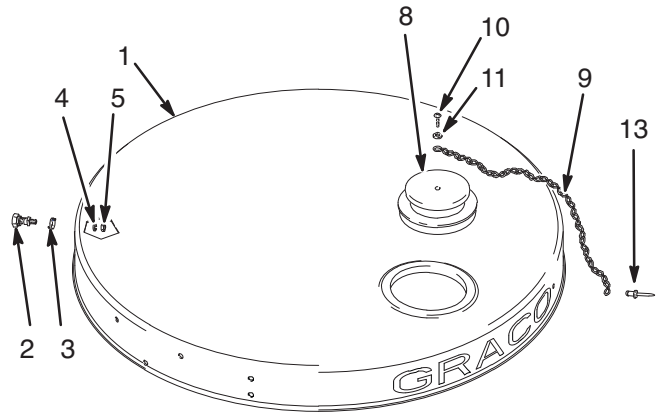


05144

### Part No. 238008 Drum Cover, Series A

#### Bare Cover

Ref	No.	Part No.	Description	Qty
	1	190770	COVER, bare; 304 stainless steel	1
	2	104029	STUD, grounding	1
	3	180755	WASHER, tab	1
	4	112903	WASHER, spring lock; M5; 304 sst	1
	5	112899	NUT, hex; M5 x 0.8; stainless steel	1
	8	237606	PLUG; polyethylene	1
	9	068097	CHAIN, plug; stainless steel	12 in.
	10	112948	SCREW; 10-32 x 1/2 in. (13 mm); 300 sst	1
	11	104116	WASHER; no. 10; stainless steel	1
	13	113038	RIVET; sst	1

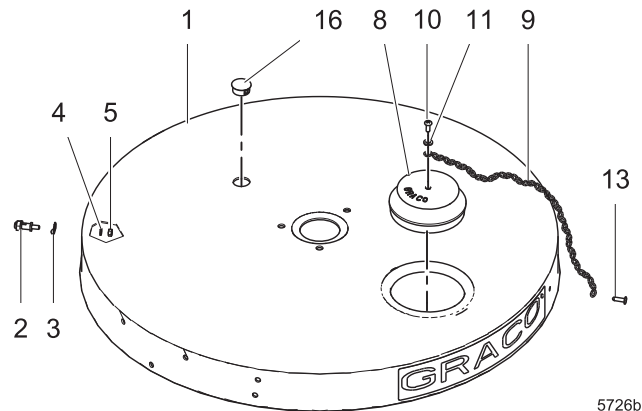


05145

### Part No. 238283 Drum Cover, Series A

For 238157 Agitators; Included in 231413 and 231414 Agitator Packages

Ref	No.	Part No.	Description	Qty
	1	190995	COVER, bare; 304 stainless steel	1
	2	104029	STUD, grounding	1
	3	180755	WASHER, tab	1
	4	112903	WASHER, spring lock; M5; 304 sst	1
	5	112899	NUT, hex; M5 x 0.8; stainless steel	1
	8	237606	PLUG; polyethylene	1
	9	068097	CHAIN, plug; stainless steel	12 in.
	10	112948	SCREW; 10-32 x 1/2 in. (13 mm); 300 sst	1
	11	104116	WASHER; no. 10; stainless steel	1
	13	113038	RIVET; sst	1
	16	113712	PLUG, button	1



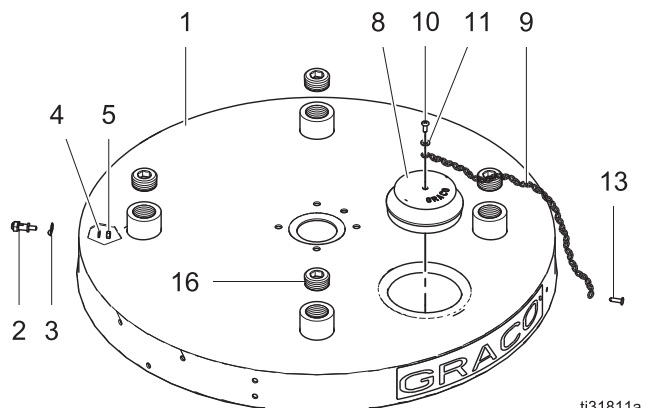
5726b

### Part No. 17S314 Drum Cover, Series A

For electric and pneumatic agitators, both direct drive and backgear configurations.

May require Agitator Blade Kit 17T255.

Ref	No.	Part No.	Description	Qty
	1	17S315	COVER, bare; 304 stainless steel	1
	2	104029	STUD, grounding	1
	3	180755	WASHER, tab	1
	4	112903	WASHER, spring lock; M5; 304 sst	1
	5	112899	NUT, hex; M5 x 0.8; stainless steel	1
	8	237606	PLUG; polyethylene	1
	9	068097	CHAIN, plug; stainless steel	12 in.
	10	112948	SCREW; 10-32 x 1/2 in. (13 mm); 300 sst	1
	11	104116	WASHER; no. 10; stainless steel	1
	13	113038	RIVET; sst	1
	16	-----	PLUG, pipe; headless	4



ti31811a

----- Not sold separately.

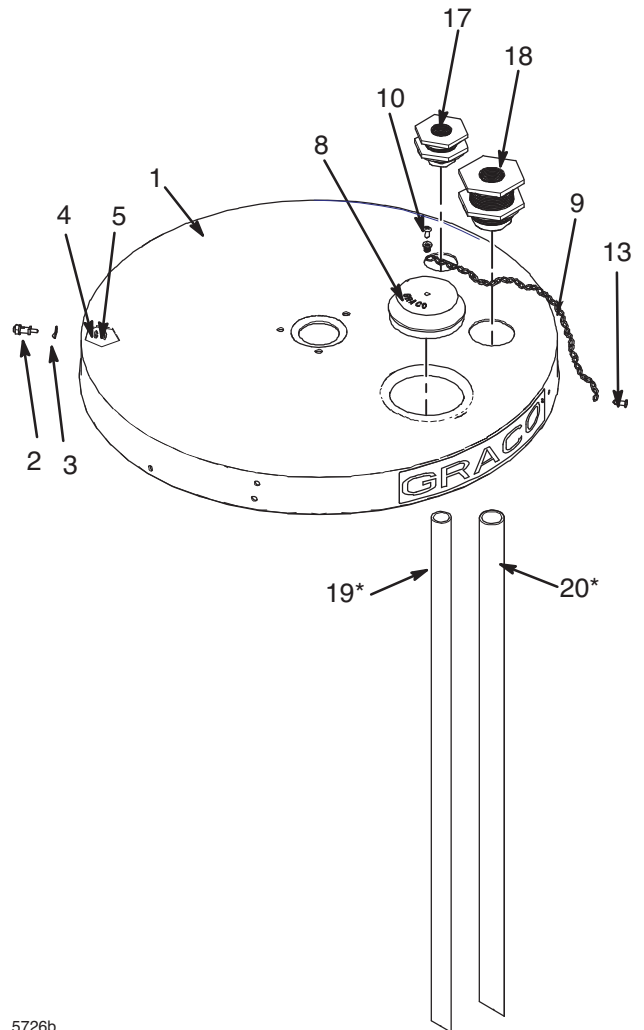
### Part No. 24Y564 Drum Cover, Series A

For electric agitators with maximum blade diameter of 13.0 in. and minimum shaft length of 36.0 in.

**Ref**

No.	Part No.	Description	Qty
1	190995	COVER, bare; 304 stainless steel	1
2	104029	STUD, grounding	1
3	180755	WASHER, tab	1
4	112903	WASHER, spring lock; M5; 304 sst	1
5	112899	NUT, hex; M5 x 0.8; stainless steel	1
8	237606	PLUG; polyethylene	1
9	068097	CHAIN, plug; stainless steel	12 in.
10	112948	SCREW; 10-32 x 1/2 in. (13 mm); 300 sst	1
11	104116	WASHER; no. 10; stainless steel	1
13	113038	RIVET; sst	1
16	113712	PLUG, button	1
17	17H621	FITTING, bulkhead, 3/4n. NPT	1
18	17H620	FITTING, bulkhead, 1 in. NPT	1
19*	17H623	PIPE, syphon, 3/4 in. NPT	1
20*	17H622	PIPE, syphon, 1 in. NPT	1

\* These parts are shipped unassembled



5726b

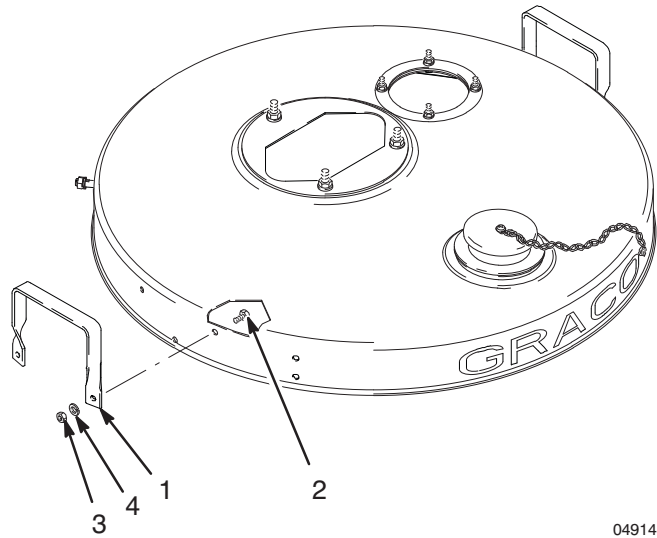
### Part No. 237524 Optional Handle Kit

This kit must be ordered separately. The kit provides two handles and attaching hardware, to mount in existing holes of drum cover. Assemble as follows:

1. Position handles (1) as shown in drawing at right.
2. Insert screws (2).
3. Secure with washers (4) and nuts (3).

**Ref**

Ref No.	Part No.	Description	Qty
1	190185	HANDLE, cover; 304 sst	2
2	102235	SCREW, cap; 1/4-20 x 1/2 in. (13 mm); 304 sst	4
3	3 104121	NUT; 1/4-20; 304 sst	4
4	4 104123	WASHER, spring lock; 1/4; 304 sst	4



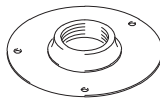
04914

### Part No. 237571 Optional Siphon Tube Adapter Plate

Stainless Steel.

Fits Covers 237306 and 237307.

Required for Standard and Fast-Flo Pumps.



04176

### Part No. 112924 Drum Cover Lip Gasket

Attach to the top of the drum.

### Part No. 237525 Elevator Retrofit Kit

This kit must be ordered separately. The kit enables you to mount these drum covers on all Graco elevators. Includes instructions.





# Graco Standard Warranty

Graco warrants all equipment manufactured by Graco and bearing its name to be free from defects in material and workmanship on the date of sale to the original purchaser for use. With the exception of any special, extended, or limited warranty published by Graco, Graco will, for a period of twelve months from the date of sale, repair or replace any part of the equipment determined by Graco to be defective. This warranty applies only when the equipment is installed, operated and maintained in accordance with Graco's written recommendations.

This warranty does not cover, and Graco shall not be liable for general wear and tear, or any malfunction, damage or wear caused by faulty installation, misapplication, abrasion, corrosion, inadequate or improper maintenance, negligence, accident, tampering, or substitution of non-Graco component parts. Nor shall Graco be liable for malfunction, damage or wear caused by the incompatibility of Graco equipment with structures, accessories, equipment or materials not supplied by Graco, or the improper design, manufacture, installation, operation or maintenance of structures, accessories, equipment or materials not supplied by Graco.

This warranty is conditioned upon the prepaid return of the equipment claimed to be defective to an authorized Graco distributor for verification of the claimed defect. If the claimed defect is verified, Graco will repair or replace free of charge any defective parts. The equipment will be returned to the original purchaser transportation prepaid. If inspection of the equipment does not disclose any defect in material or workmanship, repairs will be made at a reasonable charge, which charges may include the costs of parts, labor, and transportation.

**THIS WARRANTY IS EXCLUSIVE, AND IS IN LIEU OF ANY OTHER WARRANTIES, EXPRESS OR IMPLIED, INCLUDING BUT NOT LIMITED TO WARRANTY OF MERCHANTABILITY OR WARRANTY OF FITNESS FOR A PARTICULAR PURPOSE.**

Graco's sole obligation and buyer's sole remedy for any breach of warranty shall be as set forth above. The buyer agrees that no other remedy (including, but not limited to, incidental or consequential damages for lost profits, lost sales, injury to person or property, or any other incidental or consequential loss) shall be available. Any action for breach of warranty must be brought within two (2) years of the date of sale.

Graco makes no warranty, and disclaims all implied warranties of merchantability and fitness for a particular purpose in connection with accessories, equipment, materials or components sold but not manufactured by Graco. These items sold, but not manufactured by Graco (such as electric motors, switches, hose, etc.), are subject to the warranty, if any, of their manufacturer. Graco will provide purchaser with reasonable assistance in making any claim for breach of these warranties.

In no event will Graco be liable for indirect, incidental, special or consequential damages resulting from Graco supplying equipment hereunder, or the furnishing, performance, or use of any products or other goods sold hereto, whether due to a breach of contract, breach of warranty, the negligence of Graco, or otherwise.

## **FOR GRACO CANADA CUSTOMERS**

The parties acknowledge that they have required that the present document, as well as all documents, notices and legal proceedings entered into, given or instituted pursuant hereto or relating directly or indirectly hereto, be drawn up in English. Les parties reconnaissent avoir convenu que la rédaction du présente document sera en Anglais, ainsi que tous documents, avis et procédures judiciaires exécutés, donnés ou intentés à la suite de ou en rapport, directement ou indirectement, avec les procédures concernées.

## Graco Information

For the latest information about Graco products, visit [www.graco.com](http://www.graco.com).

For patent information, see [www.graco.com/patents](http://www.graco.com/patents).

**TO PLACE AN ORDER, contact your Graco distributor or call to identify the nearest distributor.**

**Phone: 612-623-6921 or Toll Free: 1-800-746-1334 Fax: 330-966-3006**

*All written and visual data contained in this document reflects the latest product information available at the time of publication. Graco reserves the right to make changes at any time without notice.*

Original instructions. This manual contains English. MM 308466

**Graco Headquarters:** Minneapolis

**International Offices:** Belgium, China, Japan, Korea

**GRACO INC. AND SUBSIDIARIES • P.O. BOX 1441 • MINNEAPOLIS MN 55440-1441 • USA**  
**Copyright 1994, Graco Inc. All Graco manufacturing locations are registered to ISO 9001.**

[www.graco.com](http://www.graco.com)

Revision J, July 2017