

Electric Motor Kit

311613E

ENG

To install electric motor on E-Flo[®] 4-Ball Piston Pump. For professional use only.

255225 Electric Motor Kit

230/460V, 5 HP Motor,
for E-Flo 2000/3000/4000 Pumps

255226 Electric Motor Kit

230/400V, 5 HP Motor,
for E-Flo 2000/3000/4000 Pumps

289551 Electric Motor Kit

230/460V, 3 HP Motor, for E-Flo 1500 Pumps

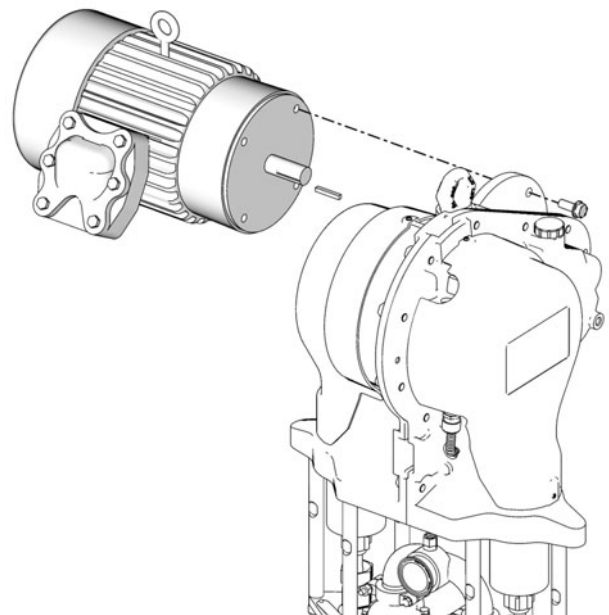
289552 Electric Motor Kit

230/400V, 3HP Motor, for E-Flo 1500 Pumps






Important Safety Instructions

Read all warnings and instructions in this manual and in E-Flo Repair-Parts manual 311594. Save these instructions.



ti9913a

Pressure Relief Procedure

						
System pressure can cause the pump to cycle unexpectedly, which could result in serious injury from splashing or moving parts.						




1. Set START/STOP switch to STOP.
2. Push in SECURE DISABLE switch.
3. Open the back pressure regulator and all fluid drain valves in the system, having a waste container ready to catch drainage. Leave open until you are ready to pressurize system again.
4. Check that pressure gauges on fluid supply and return lines read zero. If gauges do not read zero, determine cause and carefully relieve pressure by VERY SLOWLY loosening a fitting. Clear obstruction before pressurizing system again.

Kit Parts

Ref. No.	Part No.	Description	Qty
19a	n/a	MOTOR, electric, 5HP, 230/460V; included with 255225 Kit	1
19b	n/a	MOTOR, electric, 5HP, 230/400V; included with 255226 Kit	1
19c	n/a	MOTOR, electric, 3HP, 230/460V; included with 289551 Kit	1
19d	n/a	MOTOR, electric, 3HP, 230/400V; included with 289552 Kit	1
36	120710	KEY, square; 0.25 x 1.75 in.	1
37	111195	SCREW, cap, flange-head; 1/2-13 x 1.25 in. (31 mm)	4

Parts designated n/a are not available separately.

Installation

						
--	--	---	--	--	--	--

1. Relieve pressure, page 2.
2. Shut off electrical power to the unit.

- See FIG. 1. Apply antiseize lubricant (LPS[®]-04110 or equivalent) to bore of coupler.

NOTICE

Ensure that neither the input key (K) or the end of the coupler motor shaft bore extend past the end of the input shaft (S). This could cause the motor shaft to bottom out on the coupler, causing excessive heat and bearing damage.

- ⚠ Apply antiseize lubricant (LPS[®]-04110 or equivalent) to bore of coupler.

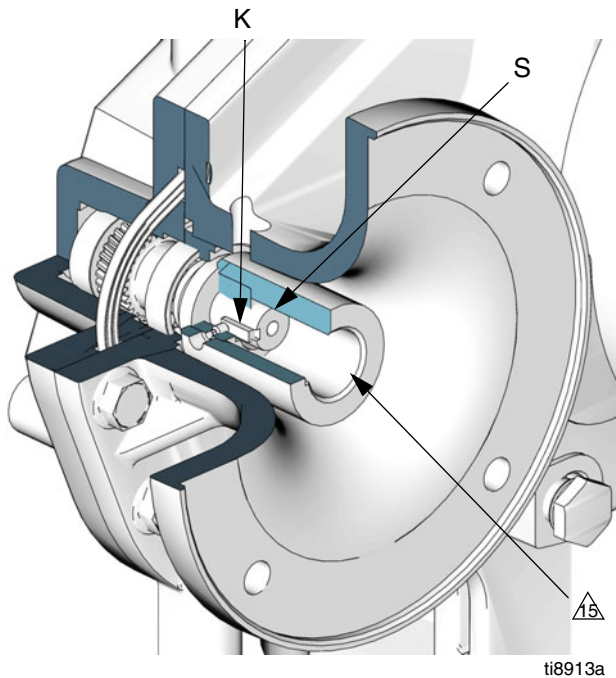


FIG. 1. Motor Coupler Installation

NOTICE

When installing the electric motor, always ensure that the motor shaft key cannot move out of position. If the key works loose it could cause excessive heat and equipment damage.

NOTE: When installing an IEC 112M/B5 or 100L/B5 Frame electric motor, ensure that the motor adapter and screws are in place before mounting the motor on the gear reducer. Torque screws to 40-45 ft-lb (54-61 N•m).

- See FIG. 2. Lift the motor (19) into position. Align the key (36) on the motor shaft with the mating slot of the motor coupler, and the four mounting holes with the holes in the gear reducer. Slide the motor into place.
- While one person supports the motor (19), install the screws (37). Torque to 75-80 ft-lb (102-108 N•m).

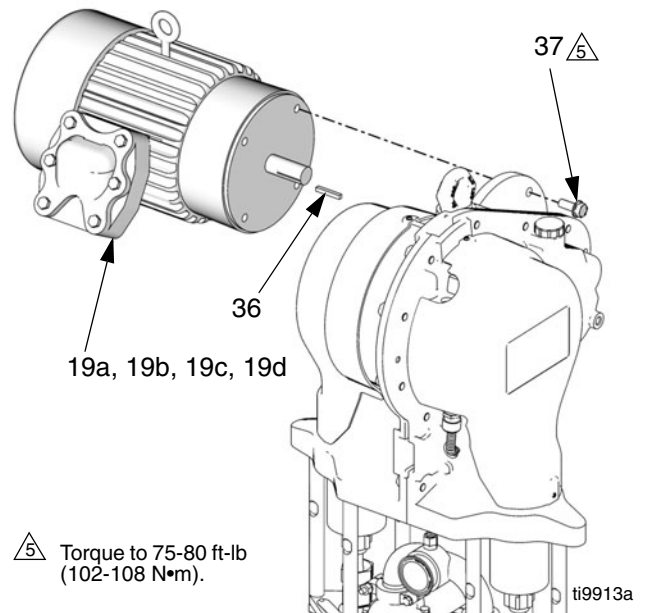


FIG. 2. Kit Installation (All Kits)

Table 1: Electric Motor Specifications

Motor Kit Part No.	Voltage	Phase	Supply Frequency	Horse-power	rpm	Full Load Torque
255226	230/400V	3	50 Hz	5	1500 (4 pole)	15 ft-lb (20.3 N•m)
255225	230/460V	3	60 Hz	5	1800 (4 pole)	15 ft-lb (20.3 N•m)
289552	230/400V	3	50 Hz	3	1500 (4 pole)	9.1 ft-lb (12.3 N•m)
289551	230/460V	3	60 Hz	3	1800 (4 pole)	9.1 ft-lb (12.3 N•m)

Graco Standard Warranty

Graco warrants all equipment referenced in this document which is manufactured by Graco and bearing its name to be free from defects in material and workmanship on the date of sale to the original purchaser for use. With the exception of any special, extended, or limited warranty published by Graco, Graco will, for a period of twelve months from the date of sale, repair or replace any part of the equipment determined by Graco to be defective. This warranty applies only when the equipment is installed, operated and maintained in accordance with Graco's written recommendations.

This warranty does not cover, and Graco shall not be liable for general wear and tear, or any malfunction, damage or wear caused by faulty installation, misapplication, abrasion, corrosion, inadequate or improper maintenance, negligence, accident, tampering, or substitution of non-Graco component parts. Nor shall Graco be liable for malfunction, damage or wear caused by the incompatibility of Graco equipment with structures, accessories, equipment or materials not supplied by Graco, or the improper design, manufacture, installation, operation or maintenance of structures, accessories, equipment or materials not supplied by Graco.

This warranty is conditioned upon the prepaid return of the equipment claimed to be defective to an authorized Graco distributor for verification of the claimed defect. If the claimed defect is verified, Graco will repair or replace free of charge any defective parts. The equipment will be returned to the original purchaser transportation prepaid. If inspection of the equipment does not disclose any defect in material or workmanship, repairs will be made at a reasonable charge, which charges may include the costs of parts, labor, and transportation.

THIS WARRANTY IS EXCLUSIVE, AND IS IN LIEU OF ANY OTHER WARRANTIES, EXPRESS OR IMPLIED, INCLUDING BUT NOT LIMITED TO WARRANTY OF MERCHANTABILITY OR WARRANTY OF FITNESS FOR A PARTICULAR PURPOSE.

Graco's sole obligation and buyer's sole remedy for any breach of warranty shall be as set forth above. The buyer agrees that no other remedy (including, but not limited to, incidental or consequential damages for lost profits, lost sales, injury to person or property, or any other incidental or consequential loss) shall be available. Any action for breach of warranty must be brought within two (2) years of the date of sale.

GRACO MAKES NO WARRANTY, AND DISCLAIMS ALL IMPLIED WARRANTIES OF MERCHANTABILITY AND FITNESS FOR A PARTICULAR PURPOSE, IN CONNECTION WITH ACCESSORIES, EQUIPMENT, MATERIALS OR COMPONENTS SOLD BUT NOT MANUFACTURED BY GRACO. These items sold, but not manufactured by Graco (such as electric motors, switches, hose, etc.), are subject to the warranty, if any, of their manufacturer. Graco will provide purchaser with reasonable assistance in making any claim for breach of these warranties.

In no event will Graco be liable for indirect, incidental, special or consequential damages resulting from Graco supplying equipment hereunder, or the furnishing, performance, or use of any products or other goods sold hereto, whether due to a breach of contract, breach of warranty, the negligence of Graco, or otherwise.

FOR GRACO CANADA CUSTOMERS

The Parties acknowledge that they have required that the present document, as well as all documents, notices and legal proceedings entered into, given or instituted pursuant hereto or relating directly or indirectly hereto, be drawn up in English. Les parties reconnaissent avoir convenu que la rédaction du présente document sera en Anglais, ainsi que tous documents, avis et procédures judiciaires exécutés, donnés ou intentés, à la suite de ou en rapport, directement ou indirectement, avec les procédures concernées.

Graco Information

TO PLACE AN ORDER, contact your Graco distributor or call to identify the nearest distributor.

Phone: 612-623-6921 **or Toll Free:** 1-800-328-0211 **Fax:** 612-378-3505

*All written and visual data contained in this document reflects the latest product information available at the time of publication.
Graco reserves the right to make changes at any time without notice.*

Original instructions. This manual contains English. MM 311613

Graco Headquarters: Minneapolis

International Offices: Belgium, China, Japan, Korea

GRACO INC. P.O. BOX 1441 MINNEAPOLIS, MN 55440-1441

Copyright 2007, Graco Inc. is registered to ISO 9001

www.graco.com

Revised 02/2011