

Wall Mount Packages

312358F

EN

*Package solutions for pumping or circulating finishing materials.
For professional use only.*

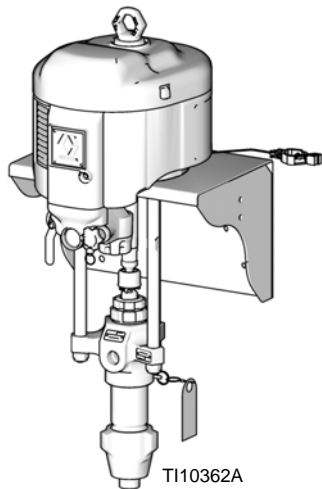


Important Safety Instructions

Read all warnings and instructions in this manual. Save these instructions.

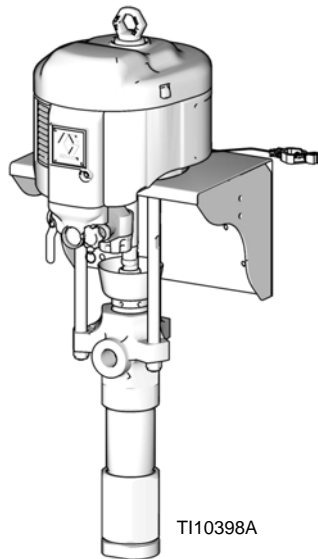
See pages 3-5 for model information, including maximum working pressure.

Xtreme® Packages



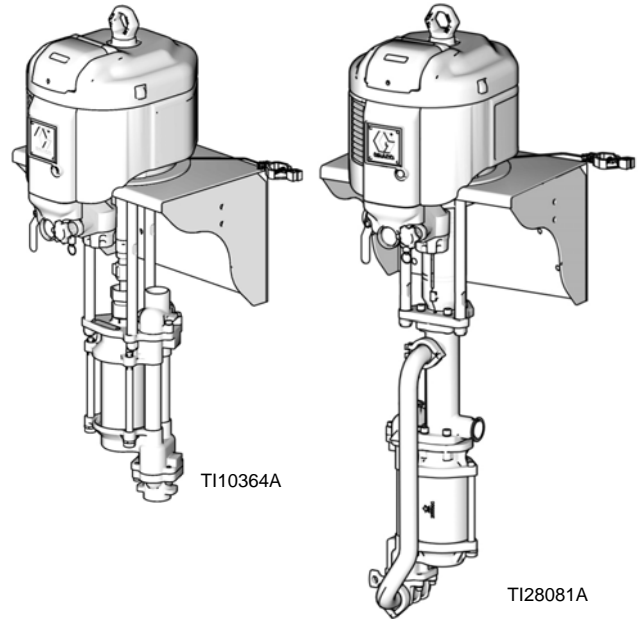
TI10362A

Dura-Flo™ Packages



TI10398A

High-Flo® Packages



TI10364A

TI28081A

CE  II 2 G Ex h IIB 230°C (T2) Gb

Contents

Related Manuals	2	Parts	12
Models	3	Xtreme Packages	12
Part No. Matrix	3	Suction and Filter Kits for Xtreme Packages ...	13
Wall Mount Packages	4	Dura-Flo Packages	14
Warnings	6	Suction Kits for Dura-Flo Packages	15
Installation	8	Filter Kits for Dura-Flo Packages	16
Mount on Wall	8	High-Flo Packages	17
Grounding	8	Mounting Hole Diagram	18
Flush Before Using Equipment	8	Dimensions	19
Package Components	9	Graco Standard Warranty	20
Integrated Air Control Module	9	Graco Information	20
Air Line Accessories	9		
Fluid Line Components	9		
Pump Operation and Repair	11		

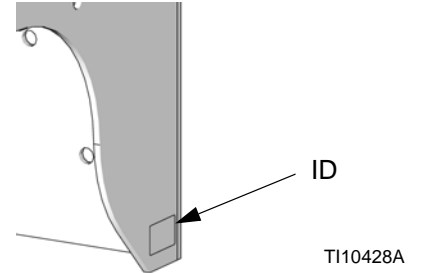
Related Manuals

Manual	Description
311164	Xtreme® Pumps
311762	Xtreme Lowers
311827	Dura-Flo™ Lowers
311828	Dura-Flo Pumps
311238	NXT® Air Motor
311239	NXT Integrated Air Control Module
307273	Fluid Filters
3A3382	High-Flo® Pumps, Instructions/Parts
3A0538	High-Flo Pumps, Instructions/Parts
333022	Sealed 4-Ball Lower
3A3452	4-Ball Lower with Open Wet Cup

Models

Part No. Matrix

Check your wall mount package's identification plate (ID) for the 6-digit part number of your package. Use the following matrix to define the construction of your package, based on the six digits. For example, Part No. **1 16 M C N** represents a bare Xtreme package (**1**), pressure ratio (**16**: 1), low noise motor (**M**), carbon steel lower (**C**), and a lower with an enclosed wet cup and npt connections (**N**). To order replacement parts, see **Parts** starting on page 12.



1	16	M	C	N
First Digit	Second and Third Digit	Fourth Digit	Fifth Digit	Sixth Digit
Pump Type	Pressure Ratio (xx:1)	NXT Motor Type	Lower Material	Lower Type
1 Xtreme, bare	03	M Low Noise, DataTrak™	C Carbon Steel	N Enclosed NPT
2 Xtreme, 5 gal. kit	04	S Remote Exhaust, DataTrak™	S Stainless Steel	B Enclosed BSPP
3 Xtreme, 55 gal. kit	16			T Enclosed tri-clamp
4 Dura-Flo, bare	25			8 Sealed tri-clamp
5 Dura-Flo, 5 gal. kit	30			9 Open NPT
6 Dura-Flo, 55 gal. kit	40			0 Open tri-clamp
7 High-Flo, bare	45			
	46			

Wall Mount Packages

NOTE: All packages include integrated air controls, a wall mount bracket, attaching hardware, and ground wire.

Xtreme Packages

Part No.	Maximum Working Pressure psi (MPa, bar)	Maximum Air Input Pressure psi (MPa, bar)	Lower Size (cc per cycle)	Includes (see page 5):		
				5 Gal. CST Suction Kit	55 Gal. CST Suction Kit	CST Fluid Filter Kit
116MCN	1520 (10.5, 105)	100 (0.7, 7.0)	290			
216MCN	1520 (10.5, 105)	100 (0.7, 7.0)	290	✓		✓
316MCN	1520 (10.5, 105)	100 (0.7, 7.0)	290		✓	✓
125MCN	2375 (16.4, 164)	100 (0.7, 7.0)	290			
225MCN	2375 (16.4, 164)	100 (0.7, 7.0)	290	✓		✓
325MCN	2375 (16.4, 164)	100 (0.7, 7.0)	290		✓	✓
130MCN	3150 (21.7, 217)	100 (0.7, 7.0)	220			
230MCN	3150 (21.7, 217)	100 (0.7, 7.0)	220	✓		✓
330MCN	3150 (21.7, 217)	100 (0.7, 7.0)	220		✓	✓

Dura-Flo Packages

Part No.	Maximum Working Pressure psi (MPa, bar)	Maximum Air Input Pressure psi (MPa, bar)	Lower Size (cc per cycle)	Includes (see page 5):		
				5 Gal. SST Suction Kit	55 Gal. SST Suction Kit	SST Fluid Filter Kit
416MSN	1520 (10.5, 105)	100 (0.7, 7.0)	290			
516MSN	1520 (10.5, 105)	100 (0.7, 7.0)	290	✓		✓
616MSN	1520 (10.5, 105)	100 (0.7, 7.0)	290		✓	✓
425MSN	2380 (16.4, 164)	100 (0.7, 7.0)	290			
525MSN	2375 (16.4, 164)	100 (0.7, 7.0)	290	✓		✓
625MSN	2375 (16.4, 164)	100 (0.7, 7.0)	290		✓	✓
430MSN	3170 (21.9, 219)	100 (0.7, 7.0)	220			
530MSN	3170 (21.9, 219)	100 (0.7, 7.0)	220	✓		✓
630MSN	3170 (21.9, 219)	100 (0.7, 7.0)	220		✓	✓
440MSN	3800 (26.2, 262)	100 (0.7, 7.0)	180			
445MSN	4550 (31.4, 314)	100 (0.7, 7.0)	290			
446MSN	4750 (32.8, 328)	100 (0.7, 7.0)	145			

High-Flo Packages











Part No.	Maximum Working Pressure psi (MPa, bar)	Maximum Air Input Pressure psi (MPa, bar)	Lower Size (cc per cycle)
703MSN	300 (2.1, 21)	100 (0.7, 7.0)	1500
703MST	300 (2.1, 21)	100 (0.7, 7.0)	1500
703SSN	300 (2.1, 21)	100 (0.7, 7.0)	1500
703SST	300 (2.1, 21)	100 (0.7, 7.0)	1500
704MSN	400 (2.8, 28)	100 (0.7, 7.0)	1000
704MST	400 (2.8, 28)	100 (0.7, 7.0)	1000
704SSN	400 (2.8, 28)	100 (0.7, 7.0)	1000
704SST	400 (2.8, 28)	100 (0.7, 7.0)	1000
703MS8	300 (2.1, 21)	100 (0.7, 7.0)	1500
703MS9	300 (2.1, 21)	100 (0.7, 7.0)	1500
703MS0	300 (2.1, 21)	100 (0.7, 7.0)	1500
703SS8	300 (2.1, 21)	100 (0.7, 7.0)	1500
703SS9	300 (2.1, 21)	100 (0.7, 7.0)	1500
703SS0	300 (2.1, 21)	100 (0.7, 7.0)	1500
704MS8	400 (2.8, 28)	100 (0.7, 7.0)	1000
704MS9	400 (2.8, 28)	100 (0.7, 7.0)	1000
704MS0	400 (2.8, 28)	100 (0.7, 7.0)	1000
704SS8	400 (2.8, 28)	100 (0.7, 7.0)	1000
704SS9	400 (2.8, 28)	100 (0.7, 7.0)	1000
704SS0	400 (2.8, 28)	100 (0.7, 7.0)	1000

Suction Kits and Fluid Filter Kits for Xtreme and Dura-Flo Packages







Part No.	Description	Use With:		
		Xtreme Pumps (all)	Dura-Flo 145 and 180 cc Pumps	Dura-Flo 220 and 290 cc Pumps
247472	5 gal. CST Suction Kit, for 1-1/4 in. npt(m) pump inlet	✓		
247473	55 gal. CST Suction Kit, for 1-1/4 in. npt(m) pump inlet	✓		
247474	CST Fluid Filter Kit, for 1 in. npt(f) pump outlet	✓		
247475	5 gal. SST Suction Kit, for 1-1/2 in. npt(f) pump inlet		✓	
247476	55 gal. SST Suction Kit, for 1-1/2 in. npt(f) pump inlet		✓	
247477	5 gal. SST Suction Kit, for 2 in. npt(f) pump inlet			✓
247478	55 gal. SST Suction Kit, for 2 in. npt(f) pump inlet			✓
247479	SST Fluid Filter Kit, for 3/4 in. npt(f) pump outlet		✓	
247480	SST Fluid Filter Kit, for 1 in. npt(f) pump outlet			✓

Warnings

The following warnings are for the setup, use, grounding, maintenance, and repair of this equipment. The exclamation point symbol alerts you to a general warning and the hazard symbols refer to procedure-specific risks. When these symbols appear in the body of this manual or on warning labels, refer back to these Warnings. Product-specific hazard symbols and warnings not covered in this section may appear throughout the body of this manual where applicable.

 <h1 style="margin: 0;">WARNING</h1>	
    	<p>FIRE AND EXPLOSION HAZARD</p> <p>Flammable fumes, such as solvent and paint fumes, in work area can ignite or explode. Paint or solvent flowing through the equipment can cause static sparking. To help prevent fire and explosion:</p> <ul style="list-style-type: none"> • Use equipment only in well ventilated area. • Eliminate all ignition sources; such as pilot lights, cigarettes, portable electric lamps, and plastic drop cloths (potential static sparking). • Ground all equipment in the work area. See Grounding instructions. • Never spray or flush solvent at high pressure. • Keep work area free of debris, including solvent, rags and gasoline. • Do not plug or unplug power cords, or turn power or light switches on or off when flammable fumes are present. • Use only grounded hoses. • Hold gun firmly to side of grounded pail when triggering into pail. Do not use pail liners unless they are anti-static or conductive. • Stop operation immediately if static sparking occurs or you feel a shock. Do not use equipment until you identify and correct the problem. If there is static sparking or you feel a shock, stop operation immediately. Do not use equipment until you identify and correct the problem. <p>Static charge may build up on plastic parts during cleaning and could discharge and ignite flammable vapors. To help prevent fire and explosion:</p> <ul style="list-style-type: none"> • Clean plastic parts only in a well ventilated area. • Do not clean with a dry cloth. • Keep a working fire extinguisher in the work area.
   	<p>SKIN INJECTION HAZARD</p> <p>High-pressure fluid from dispensing device, hose leaks, or ruptured components will pierce skin. This may look like just a cut, but it is a serious injury that can result in amputation. Get immediate surgical treatment.</p> <ul style="list-style-type: none"> • Engage trigger lock when not dispensing. • Do not point dispensing device at anyone or at any part of the body. • Do not put your hand over the fluid outlet. • Do not stop or deflect leaks with your hand, body, glove, or rag. • Follow the Pressure Relief Procedure when you stop dispensing and before cleaning, checking, or servicing equipment. • Tighten all fluid connections before operating the equipment. • Check hoses and couplings daily. Replace worn or damaged parts immediately.

! WARNING

 	<p>EQUIPMENT MISUSE HAZARD</p> <p>Misuse can cause death or serious injury.</p> <ul style="list-style-type: none"> • Do not operate the unit when fatigued or under the influence of drugs or alcohol. • Do not exceed the maximum working pressure or temperature rating of the lowest rated system component. See Technical Data in all equipment manuals. • Use fluids and solvents that are compatible with equipment wetted parts. See Technical Data in all equipment manuals. Read fluid and solvent manufacturer's warnings. For complete information about your material, request Safety Data Sheet (SDS) from distributor or retailer. • Turn off all equipment and follow the Pressure Relief Procedure when equipment is not in use. • Check equipment daily. Repair or replace worn or damaged parts immediately with genuine manufacturer's replacement parts only. • Do not alter or modify equipment. Alterations or modifications may void agency approvals and create safety hazards. • Make sure all equipment is rated and approved for the environment in which you are using it. • Use equipment only for its intended purpose. Call your distributor for information. • Route hoses and cables away from traffic areas, sharp edges, moving parts, and hot surfaces. • Do not kink or over bend hoses or use hoses to pull equipment. • Keep children and animals away from work area. • Comply with all applicable safety regulations.
 	<p>MOVING PARTS HAZARD</p> <p>Moving parts can pinch, cut or amputate fingers and other body parts.</p> <ul style="list-style-type: none"> • Keep clear of moving parts. • Do not operate equipment with protective guards or covers removed. • Pressurized equipment can start without warning. Before checking, moving, or servicing equipment, follow the Pressure Relief Procedure and disconnect all power sources.
	<p>TOXIC FLUID OR FUMES HAZARD</p> <p>Toxic fluids or fumes can cause serious injury or death if splashed in the eyes or on skin, inhaled, or swallowed.</p> <ul style="list-style-type: none"> • Read Safety Data Sheet (SDS) to know the specific hazards of the fluids you are using. • Store hazardous fluid in approved containers, and dispose of it according to applicable guidelines.
	<p>PERSONAL PROTECTIVE EQUIPMENT</p> <p>Wear appropriate protective equipment when in the work area to help prevent serious injury, including eye injury, hearing loss, inhalation of toxic fumes, and burns. Protective equipment includes but is not limited to:</p> <ul style="list-style-type: none"> • Protective eyewear, and hearing protection. • Respirators, protective clothing, and gloves as recommended by the fluid and solvent manufacturer.

Installation

Mount on Wall

1. Ensure the wall is strong enough to support the weight of the pump assembly and accessories, fluid, hoses, and stress caused during pump operation.
2. Ensure that the mounting location has sufficient clearance for easy operator access.
3. Position the wall bracket at a convenient height, ensuring that there is sufficient clearance for the fluid suction line and for servicing the lower.
4. Drill four 7/16 in. (11 mm) holes using the bracket as a template. Use any of the three mounting hole groupings in the bracket. See **Mounting Hole Diagram**, page 18.
5. Bolt the bracket securely to the wall using bolts and washers designed to hold in the wall's construction.
6. Attach the pump assembly to the mounting bracket.
7. Connect air and fluid hoses.

Grounding

				
<p>The equipment must be grounded to reduce the risk of static sparking. Static sparking can cause fumes to ignite or explode. Grounding provides an escape wire for the electric current.</p>				

Pump: use ground wire and clamp (supplied). See FIG. 1. Use the ground screw (GS) and lock washer (LW) to attach the ground wire (N) at the rear of the air motor. Tighten the screw securely. Connect the other end of the ground wire to a true earth ground.

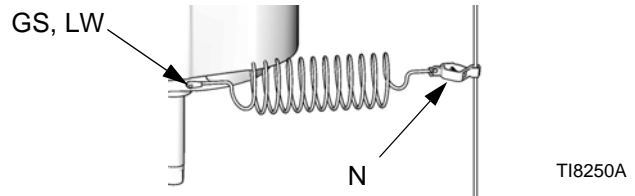


FIG. 1. Ground Wire

Air and fluid hoses: use only electrically conductive hoses.

Air compressor: follow manufacturer's recommendations.

Spray gun / Dispense valve: ground through connection to a properly grounded fluid hose and pump.

Fluid supply container: follow local code.

Object being sprayed: follow local code.

Solvent pails used when flushing: follow local code. Use only conductive metal pails, placed on a grounded surface. Do not place the pail on a nonconductive surface, such as paper or cardboard, which interrupts grounding continuity.

To maintain grounding continuity when flushing or relieving pressure: hold metal part of the spray gun/dispense valve firmly to the side of a grounded metal pail, then trigger the gun/valve.

Flush Before Using Equipment

The equipment was tested with lightweight oil, which is left in the fluid passages to protect parts. To avoid contaminating your fluid with oil, flush the equipment with a compatible solvent before using the equipment. See your respective pump manual. See **Related Manuals**, page 2.

Package Components

Integrated Air Control Module



Trapped air can cause the pump to cycle unexpectedly, which could result in serious injury from splashing or moving parts. Be sure the air bleed hole on the integrated air control module points away from the operator.

To help prevent fluid over pressurization, do not exceed the maximum air inlet pressure rating to the air motor (see page 3). If you can apply more than the maximum air input pressure to the system, install a safety relief valve between the bleed-type master air valve and the air motor. The safety relief valve must be set to open if the air inlet pressure to the motor exceeds the motor rating.

The integrated air control module (C) is included with all packages (see 311239). It includes the following:

- **Bleed-type master air valve (D):** required in your system to relieve air trapped between it and the air motor when the valve is closed. Be sure the valve is easily accessible from the pump and located downstream from the air regulator
- **Pump air regulator (E):** a locking regulator to adjust air pressure to the motor and fluid outlet pressure of pump. View the gauge (F) to read air pressure.
- **Safety relief valve (G):** automatically opens to relieve air pressure, to prevent pump overpressurization.
- **Air line filter (H):** removes harmful contaminants from entering the air control module and air motor.

Air Line Accessories

Install the following accessories in the order shown in FIG. 2, using adapters as necessary.

- **Second bleed-type air valve (R):** isolates air line accessories for servicing. Locate upstream from all other air line accessories.

- **Air line moisture drain valve (S):** install at the bottom of each air line drop, to drain moisture.

Fluid Line Components

Some Xtreme and Dura-Flo packages include fluid suction kits and fluid filter kits. See pages 13, 15, and 16.

- **Fluid filter (J):** with a 60 mesh (250 micron) stainless steel element to filter particles from the fluid as it leaves the pump.
- **Fluid drain valve (K):** required in your system, to relieve fluid pressure in the hose and gun.
- **55 Gal. (200 Liter) Suction kit (L):** enables the pump to draw fluid from a drum. Includes bung adapter.
- **5 Gal. (19 Liter) Suction kit (M):** enables the pump to draw fluid from a pail.

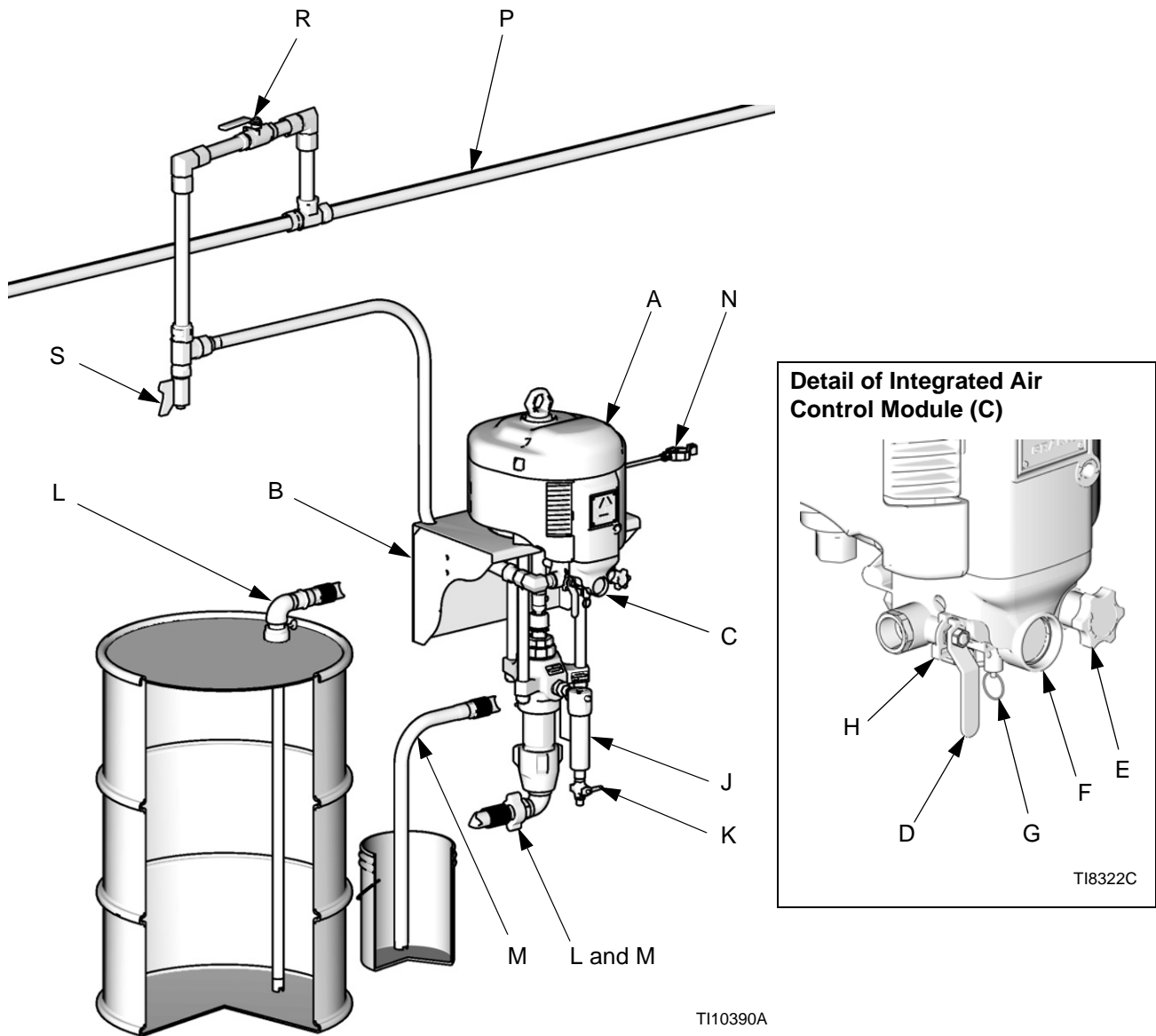


FIG. 2: Typical Installation (Xtreme Package Shown)

Key:

- | | | | |
|---|--|---|--|
| A | Pump | L | 55 Gallon (200 Liter) Drum Suction Kit |
| B | Wall Bracket | M | 5 Gallon (19 Liter) Pail Suction Kit |
| C | Integrated Air Control Module (includes items D-H) | N | Pump Ground Wire (required) |
| D | Bleed-type Master Air Valve (required) | P | Main Air Supply Line |
| E | Pump Air Regulator | R | Air Line Shutoff Valve (bleed-type) |
| F | Air Pressure Gauge | S | Air Line Moisture Drain Valve |
| G | Safety Relief Valve | | |
| H | Air Filter (hidden) | | |
| J | Fluid Filter | | |
| K | Fluid Drain Valve (required) | | |

Pump Operation and Repair



This equipment stays pressurized until pressure is manually relieved. To help prevent serious injury from splashing fluid and moving parts, follow the Pressure Relief Procedure when you stop spraying and before cleaning, checking, or servicing the equipment.

Follow the **Pressure Relief Procedure** in your pump manual before cleaning or repairing your equipment.

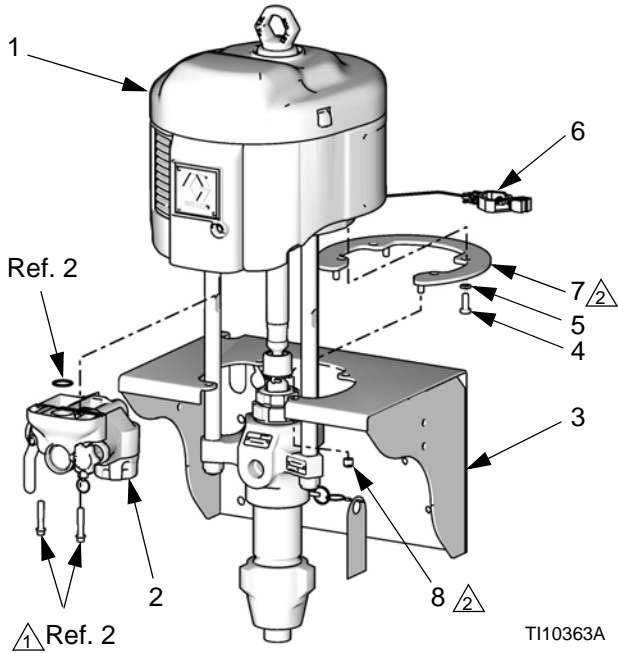
For complete instructions and warnings see your respective pump manual. See **Related Manuals**, page 2.

Parts

Xtreme Packages

⚠ 1 Screws are thread-forming. Start threading by hand before using a tool. Torque to 20 ft-lb (27.1 N•m).

⚠ 2 Not used on all packages.



Common Parts

The following parts are used on all Xtreme wall mount packages.

Ref.	Part	Description	Qty.
2	NXT011	CONTROL, air, integrated; see 311239	1
3	255143	BRACKET, mounting (includes 4 and 5)	1
4	100101	SCREW, mounting, cap, hex head; 3/8-16 x 1 in. (25 mm)	4
5	100133	WASHER, lock; 3/8	4
6	244524	WIRE, ground	1

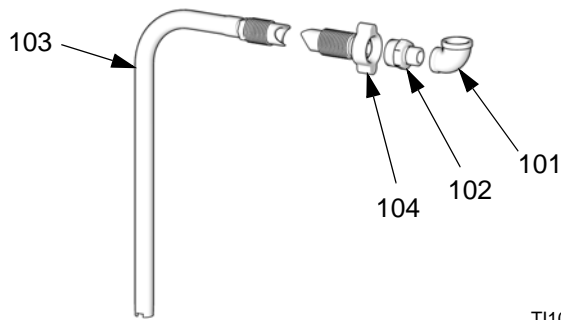
Parts that Vary by Package

Xtreme Package	Reference Number and Description				
	1	7	8	100	200
	Pump (see 311164)	Adapter, bracket	Nut, lock; 3/8-16	Suction Kit (see page 13)	Filter Kit (see page 13)
116MCN	P16MC1	15H060	101566		
216MCN	P16MC1	15H060	101566	247472	247474
316MCN	P16MC1	15H060	101566	247473	247474
125MCN	P25MC1				
225MCN	P25MC1			247472	247474
325MCN	P25MC1			247473	247474
130MCN	P30MC1				
230MCN	P30MC1			247472	247474
330MCN	P30MC1			247473	247474
Qty	1	1	4	1	1

Suction and Filter Kits for Xtreme Packages

247472 1-1/4 in., 5. Gal. (19 Liter) CST Suction Kit

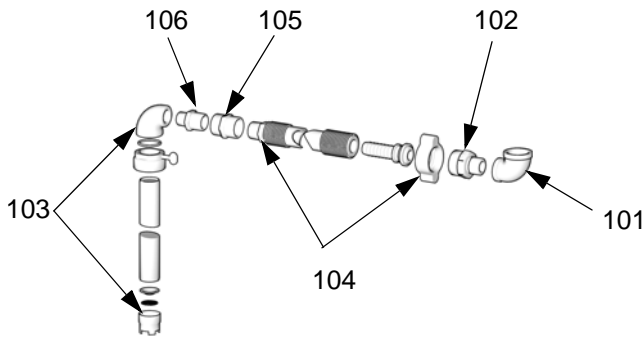
Ref.	Part	Description	Qty.
101	116401	ELBOW; 1-1/4 npt x 1 in. npt (fbe)	1
102	116402	ADAPTER, quick connect	1
103	197682	TUBE, suction	1
104	247301	HOSE, suction; 1 in. npt(m) x quick connect; 6 ft (1.8 m)	1



T110367A

247473 1-1/4 in., 55. Gal. (200 Liter) CST Suction Kit

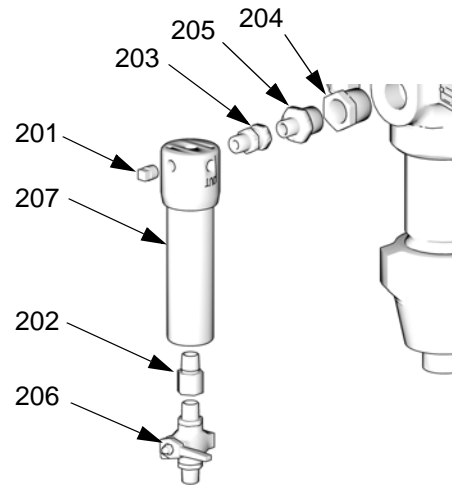
Ref.	Part	Description	Qty.
101	116401	ELBOW; 1-1/4 npt x 1 in. npt (fbe)	1
102	116402	ADAPTER, quick connect	1
103	206266	TUBE, suction; see 306938	1
104	247302	HOSE, suction; 1 in. npt(m) x quick connect; 10 ft (3.05 m)	1
105	100474	COUPLING, pipe; 1 in. npt (fbe)	1
106	158555	NIPPLE, reducing; 1 in. npt x 3/4 npt	1



T110368A

247474 1 in. CST Fluid Filter Kit

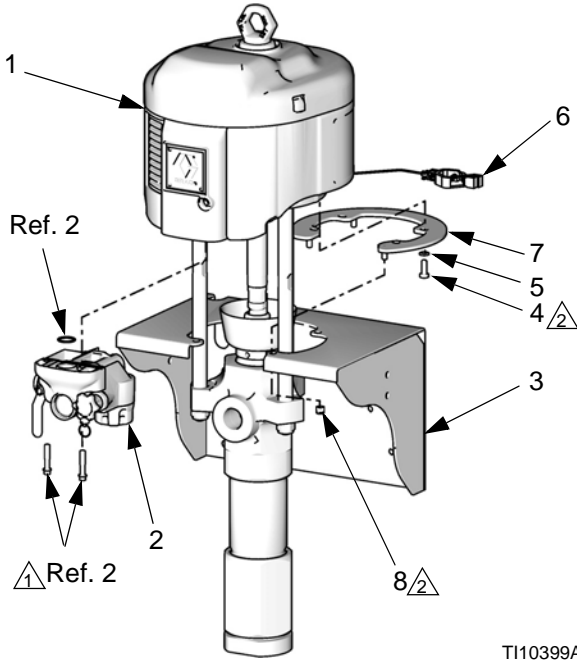
Ref.	Part	Description	Qty.
201	100509	PLUG, pipe; 1/4 npt	1
202	150286	ADAPTER; 3/8 npt (m x f)	1
203	155665	UNION, adapter; 3/8 npsm(f) x 3/8 npt(m)	1
204	158586	BUSHING; 1 in. npt(m) x 3/4 npt(f)	1
205	161800	ADAPTER; 3/4 npt(m) x 3/8 npsm(m)	1
206	210658	BALL VALVE; 3/8 npt(mbe); see 306861	1
207	218029	FILTER, fluid; see 307273	1



T110369A

Dura-Flo Packages

- ⚠ 1 Screws are thread-forming. Start threading by hand before using a tool. Torque to 20 ft-lb (27.1 N•m).
- ⚠ 2 Not used on all packages.



T110399A

Common Parts

The following parts are used on all Dura-Flo wall mount packages.

Ref.	Part	Description	Qty.
2	NXT011	CONTROL, air, integrated; see 311239	1
3	255143	BRACKET, mounting (includes 4 and 5)	1
4	100101	SCREW, mounting, cap, hex head; 3/8-16 x 1 in. (25 mm)	4
5	100133	WASHER, lock; 3/8	4
6	244524	WIRE, ground	1

Parts that Vary by Package

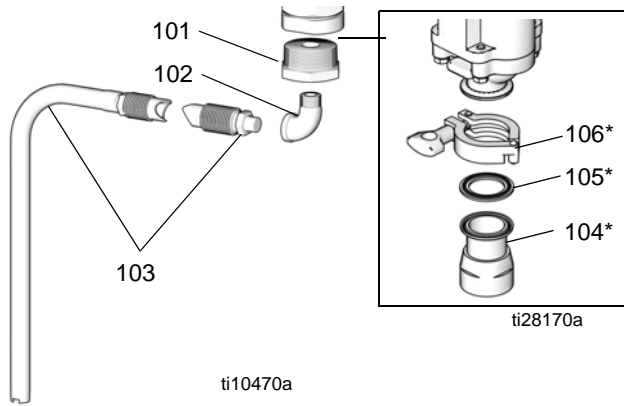
Dura-Flo Package	Reference Number and Description				
	1	7	8	100	200
	Pump (see 311828)	Adapter, bracket	Nut, lock; 3/8-16	Suction Kit (see page 15)	Filter Kit (see page 16)
416MSN	P16MSE	15H060	101566		
516MSN	P16MSE	15H060	101566	247477	247480
616MSN	P16MSE	15H060	101566	247478	247480
425MSN	P25MSE				
525MSN	P25MSE			247477	247480
625MSN	P25MSE			247478	247480
430MSN	P30MSE				
530MSN	P30MSE			247477	247480
630MSN	P30MSE			247478	247480
440MSN	P40MSE				
445MSN	P45MSE				
446MSN	P46MSH				
Qty	1	1	4	1	1

Suction Kits for Dura-Flo Packages

247475 1-1/2 in., 5. Gal. (19 Liter) SST Suction Kit

Ref. Part	Description	Qty
101	15M667 ADAPTER; 1-1/2 npt(m) x 3/4 npt(f)	1
102	15M666 ELBOW; 3/4 npt (m x f)	1
103	223105 TUBE, suction, with 6 ft (1.8 m) hose	1
104*	15J422 ADAPTER, 1-1/2 sanitary x 1-1/2 npt	1
105*	120351 GASKET, sanitary	1
106*	118598 CLAMP, sanitary, 1.5 in.	1

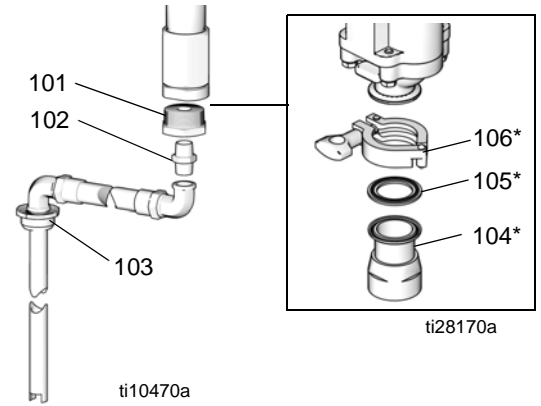
* Connection parts for 4-Ball pumps with Sealed or Open Wet Cup Lowers



247476 1-1/2 in., 55. Gal. (200 Liter) SST Suction Kit

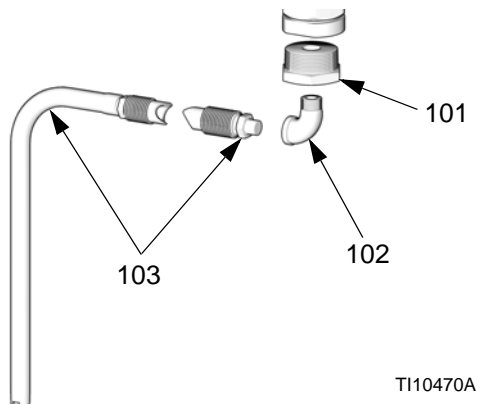
Ref. Part	Description	Qty
101	15M667 ADAPTER; 1-1/2 npt(m) x 3/4 npt(f)	1
102	190724 NIPPLE; 3/4 npt	1
103	685599 TUBE, suction	1
104*	15J422 ADAPTER, 1-1/2 sanitary x 1-1/2 npt	1
105*	120351 GASKET, sanitary	1
106*	118598 CLAMP, sanitary, 1.5 in.	1

* Connection parts for 4-Ball pumps with Sealed or Open Wet Cup Lowers



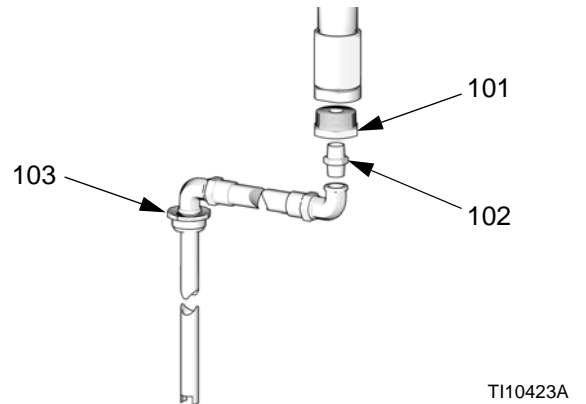
247477 2 in., 5. Gal. (19 Liter) SST Suction Kit

Ref. Part	Description	Qty
101	15M668 ADAPTER; 2 npt(m) x 3/4 npt(f)	1
102	15M666 ELBOW; 3/4 npt (m x f)	1
103	223105 TUBE, suction, with 6 ft (1.8 m) hose	1



247478 2 in., 55. Gal. (200 Liter) SST Suction Kit

Ref. Part	Description	Qty
101	15M668 ADAPTER; 2 npt(m) x 3/4 npt(f)	1
102	190724 NIPPLE; 3/4 npt	1
103	685599 TUBE, suction	1



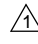
Filter Kits for Dura-Flo Packages

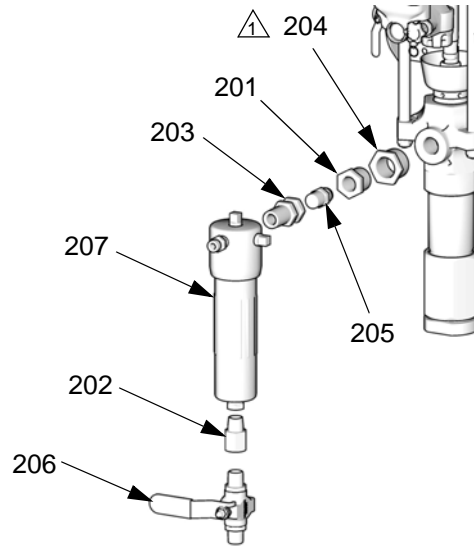
247479 3/4 in. SST Fluid Filter Kit

Ref.	Part	Description	Qty.
201	102281	BUSHING; 3/4 npt(m) x 3/8 npt(f)	1
202	15C076	ADAPTER; 3/8 npt (m x f)	1
203	235207	UNION, swivel; 3/8 npt(m) x 3/8 npsm(f)	1
205	171195	NIPPLE; 3/4 npt(m) x 3/8 npsm(m)	1
206	238967	VALVE, ball; 3/8 npt(mbe); see 306861	1
207	223160	FILTER, fluid; see 307273	1

247480 1 in. SST Fluid Filter Kit

Ref.	Part	Description	Qty.
201	102281	BUSHING; 3/4 npt(m) x 3/8 npt(f)	1
202	15C076	ADAPTER; 3/8 npt (m x f)	1
203	235207	UNION, swivel; 3/8 npt(m) x 3/8 npsm(f)	1
204	502851	BUSHING; 1 in. npt(m) x 3/4 npt(f)	1
205	171195	NIPPLE; 3/4 npt(m) x 3/8 npsm(m)	1
206	238967	VALVE, ball; 3/8 npt(mbe); see 306861	1
207	223160	FILTER, fluid; see 307273	1

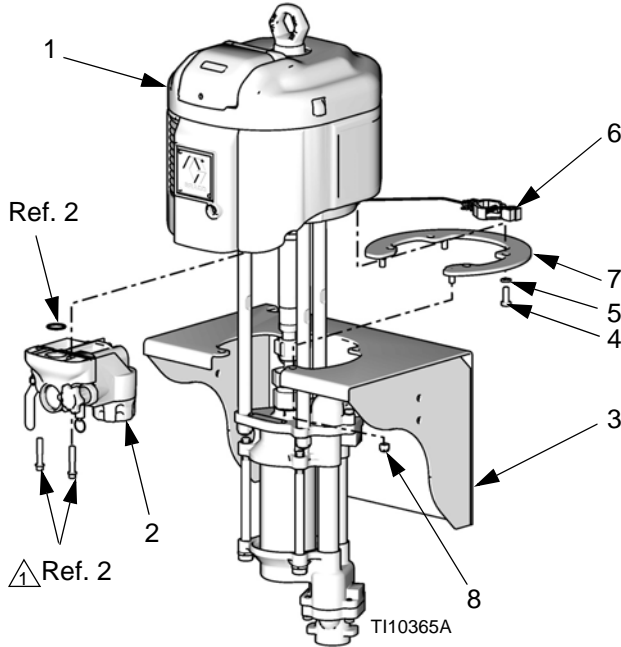
 Used on 247480 Kit only.



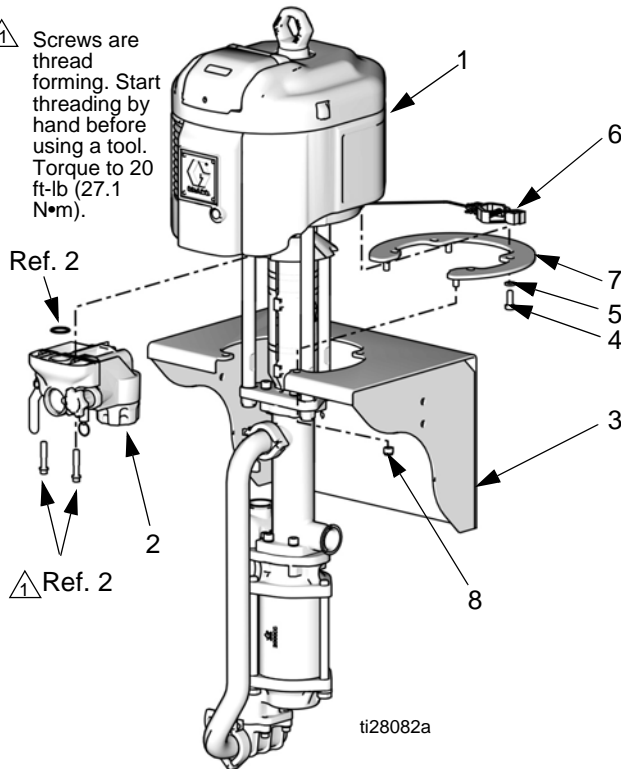
T110424A

High-Flo Packages

⚠ Screws are thread-forming. Start threading by hand before using a tool. Torque to 20 ft-lb (27.1 N•m).



⚠ Screws are thread forming. Start threading by hand before using a tool. Torque to 20 ft-lb (27.1 N•m).



Common Parts

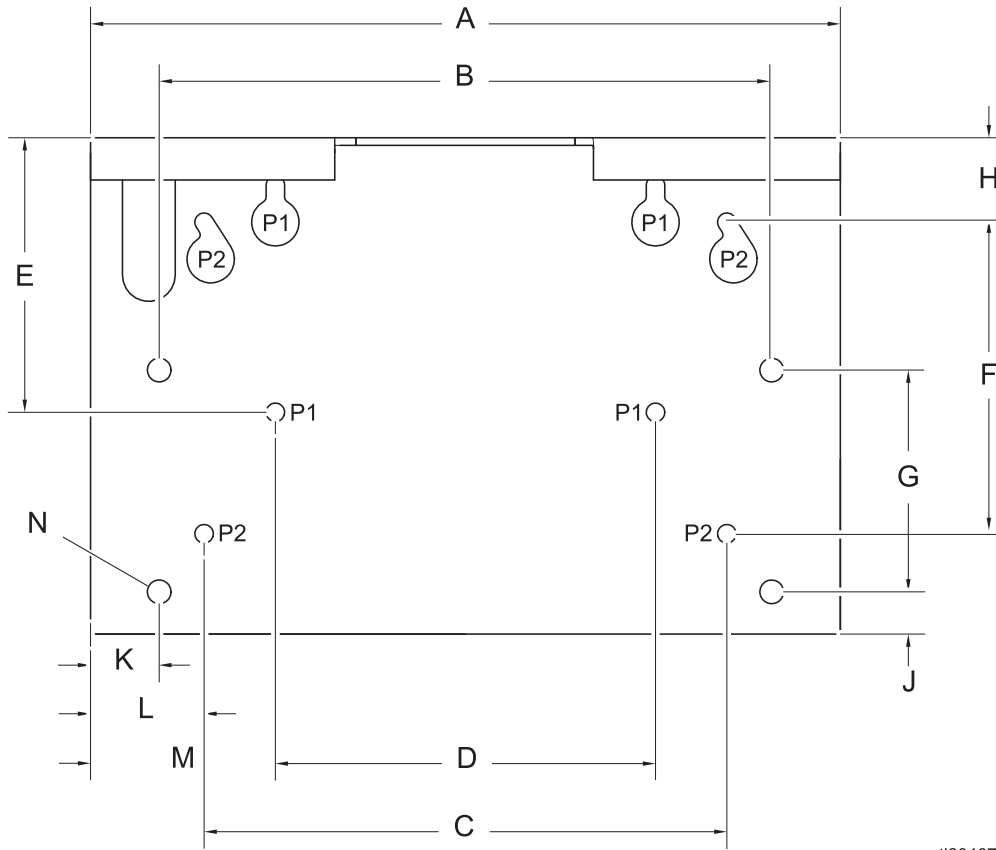
The following parts are used on all High-Flo wall mount packages.

Ref.	Part	Description	Qty.
2	NXT011	CONTROL, air, integrated; see 311239	1
3	255143	BRACKET, mounting (includes 4 and 5)	1
4	100101	SCREW, mounting, cap, hex head; 3/8-16 x 1 in. (25 mm)	4
5	100133	WASHER, lock; 3/8	4
6	244524	WIRE, ground	1
7	15H060	ADAPTER, bracket	1
8	101566	NUT, lock; 3/8-16	4

Parts that Vary by Package

High-Flo Package	Pump (Ref. 1)	See Pump Manual
703MSN	JS30M1	3A0538
703MST	JS30M5	
703SSN	JS30S1	
703SST	JS30S5	
704MSN	JS40M1	
704MST	JS40M5	
704SSN	JS40S1	3A3382
704SST	JS40S5	
703MS8	JS30M8	
703MS9	JS30M9	
703MS0	JS30M0	
703SS8	JS30S8	
703SS9	JS30S9	
703SS0	JS30S0	
704MS8	JS40M8	
704MS9	JS40M9	
704MS0	JS40M0	
704SS8	JS40S8	
704SS9	JS40S9	
704SS0	JS40S0	

Mounting Hole Diagram

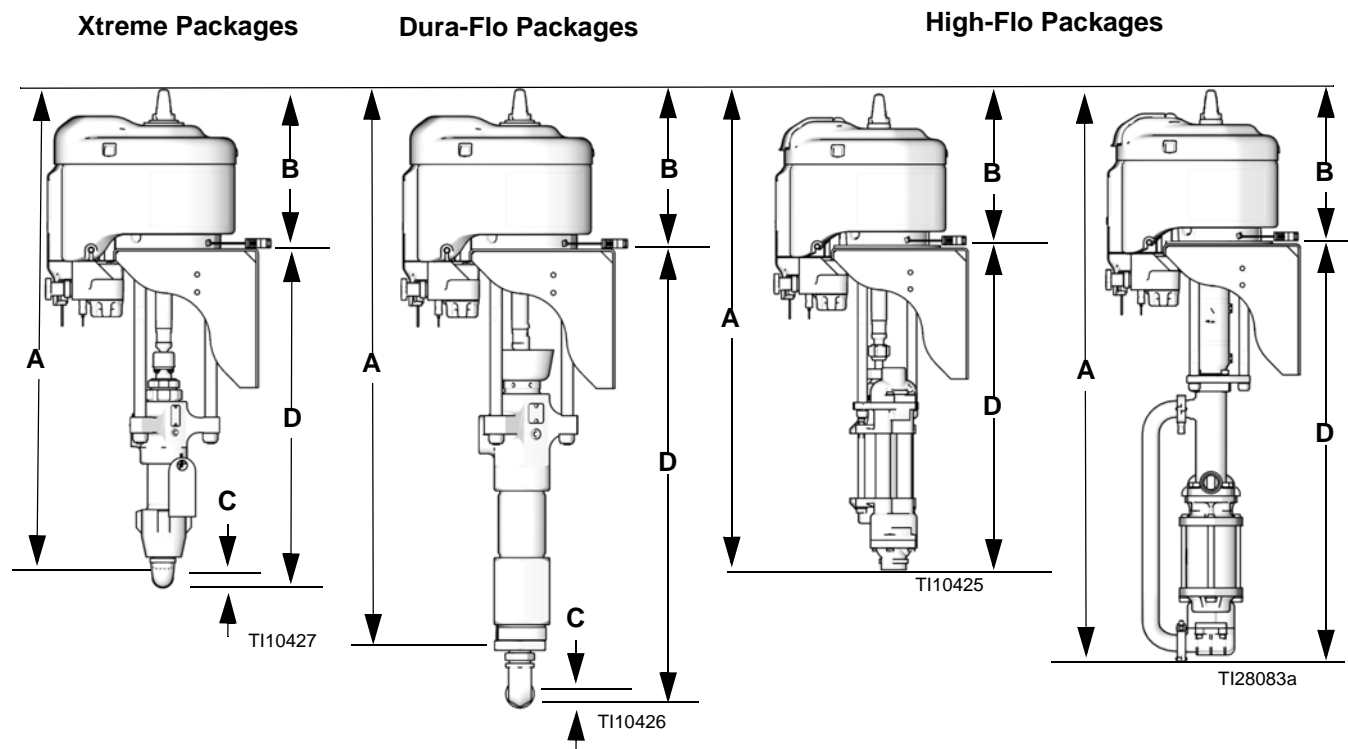


ti20467a

KEY

- A 17.8 in. (451 mm)
- B 14.5 in. (368 mm)
- C 12.4 in. (314 mm)
- D 9.0 in. (229 mm)
- E 5.4 in. (137 mm)
- F 7.4 in. (187 mm)
- G 5.3 in. (133 mm)
- H 2.0 in. (51 mm)
- J 1.0 in. (25 mm)
- K 1.6 in. (41 mm)
- L 2.7 in. (69 mm)
- M 4.4 in. (112 mm)
- N Four 0.562 in. (14 mm) diameter holes for mounting to stand
- P Four 0.438 in. (11 mm) diameter holes for mounting to wall

Dimensions



Package	A in. (mm)	B in. (mm)	C in. (mm)	D in. (mm)	Air Inlet (in.)	Fluid Inlet (in.)	Fluid Outlet (in.)	Weight lb (kg)
Xtreme Pumps (bare)	40.7 (1033)	13.8 (350)	n/a	n/a	3/4 npt(f)	1-1/4 npt(m)	1 npt(f)	101.4 (45)
Xtreme Pumps (5 gal.)	40.7 (1033)	13.8 (350)	0.9 (22)	42.3 (1074)	3/4 npt(f)	1 npt(m)	3/8 npt(f)	148.2 (67)
Xtreme Pumps (55 gal.)	40.7 (1033)	13.8 (350)	0.9 (22)	42.3 (1074)	3/4 npt(f)	1-1/2 npt(m)	3/8 npt(f)	153.2 (69)
Dura-Flo Pumps (bare)	43.4 (1102)	13.8 (350)	n/a	n/a	3/4 npt(f)	2 npt(f)*	1 npt(f)*	101.4 (45)
Dura-Flo Pumps (5 gal.)	43.4 (1102)	13.8 (350)	0.7 (17)	47.2 (1198)	3/4 npt(f)	3/4 npt(f)	3/8 npt(f)	113.5 (51)
Dura-Flo Pumps (55 gal.)	43.4 (1102)	13.8 (350)	0.7 (17)	47.2 (1198)	3/4 npt(f)	3/4 npt(m)	3/8 npt(f)	118 (53)
High-Flo Pumps								
703xxN, 704xxN, 703xx9, 704xx9	42.5 (1079)	13.8 (350)	n/a	28.7 (729)	3/4 npt(f)	1-1/2 npt(m)	1 npt(m)	98.4 (44)
703xxT, 704xxT, 703xx0, 704xx0	42.5 (1079)	13.8 (350)	n/a	28.7 (729)	3/4 npt(f)	1-1/2 tri-clamp	1-1/2 tri-clamp	99.1 (44)
703xx8 and 704xx8	50.8 (1291)	13.8 (350)	n/a	37.2 (944)	3/4 npt(f)	1-1/2 tri-clamp	1-1/2 tri-clamp	99.1 (44)

* Dura-Flo Pumps 440MSN and 446MSN have a 1-1/2 npt(f) fluid inlet and a 3/4 npt(f) fluid outlet.

Sound Data: See NXT motor manual 311238.

Wetted Parts: See Sealed 4-Ball Lower Manual 333022, or 4--Ball Lower with Open Wet Cup Manual 3A3452.

Graco Standard Warranty

Graco warrants all equipment referenced in this document which is manufactured by Graco and bearing its name to be free from defects in material and workmanship on the date of sale to the original purchaser for use. With the exception of any special, extended, or limited warranty published by Graco, Graco will, for a period of twelve months from the date of sale, repair or replace any part of the equipment determined by Graco to be defective. This warranty applies only when the equipment is installed, operated and maintained in accordance with Graco's written recommendations.

This warranty does not cover, and Graco shall not be liable for general wear and tear, or any malfunction, damage or wear caused by faulty installation, misapplication, abrasion, corrosion, inadequate or improper maintenance, negligence, accident, tampering, or substitution of non-Graco component parts. Nor shall Graco be liable for malfunction, damage or wear caused by the incompatibility of Graco equipment with structures, accessories, equipment or materials not supplied by Graco, or the improper design, manufacture, installation, operation or maintenance of structures, accessories, equipment or materials not supplied by Graco.

This warranty is conditioned upon the prepaid return of the equipment claimed to be defective to an authorized Graco distributor for verification of the claimed defect. If the claimed defect is verified, Graco will repair or replace free of charge any defective parts. The equipment will be returned to the original purchaser transportation prepaid. If inspection of the equipment does not disclose any defect in material or workmanship, repairs will be made at a reasonable charge, which charges may include the costs of parts, labor, and transportation.

THIS WARRANTY IS EXCLUSIVE, AND IS IN LIEU OF ANY OTHER WARRANTIES, EXPRESS OR IMPLIED, INCLUDING BUT NOT LIMITED TO WARRANTY OF MERCHANTABILITY OR WARRANTY OF FITNESS FOR A PARTICULAR PURPOSE.

Graco's sole obligation and buyer's sole remedy for any breach of warranty shall be as set forth above. The buyer agrees that no other remedy (including, but not limited to, incidental or consequential damages for lost profits, lost sales, injury to person or property, or any other incidental or consequential loss) shall be available. Any action for breach of warranty must be brought within two (2) years of the date of sale.

GRACO MAKES NO WARRANTY, AND DISCLAIMS ALL IMPLIED WARRANTIES OF MERCHANTABILITY AND FITNESS FOR A PARTICULAR PURPOSE, IN CONNECTION WITH ACCESSORIES, EQUIPMENT, MATERIALS OR COMPONENTS SOLD BUT NOT MANUFACTURED BY GRACO. These items sold, but not manufactured by Graco (such as electric motors, switches, hose, etc.), are subject to the warranty, if any, of their manufacturer. Graco will provide purchaser with reasonable assistance in making any claim for breach of these warranties.

In no event will Graco be liable for indirect, incidental, special or consequential damages resulting from Graco supplying equipment hereunder, or the furnishing, performance, or use of any products or other goods sold hereto, whether due to a breach of contract, breach of warranty, the negligence of Graco, or otherwise.

FOR GRACO CANADA CUSTOMERS

The Parties acknowledge that they have required that the present document, as well as all documents, notices and legal proceedings entered into, given or instituted pursuant hereto or relating directly or indirectly hereto, be drawn up in English. Les parties reconnaissent avoir convenu que la rédaction du présente document sera en Anglais, ainsi que tous documents, avis et procédures judiciaires exécutés, donnés ou intentés, à la suite de ou en rapport, directement ou indirectement, avec les procédures concernées.

Graco Information

TO PLACE AN ORDER, contact your Graco distributor or call to identify the nearest distributor.

Phone: 612-623-6921 **or Toll Free:** 1-800-328-0211 **Fax:** 612-378-3505

*All written and visual data contained in this document reflects the latest product information available at the time of publication.
Graco reserves the right to make changes at any time without notice.*

Original instructions. This manual contains English. MM 312358

Graco Headquarters: Minneapolis
International Offices: Belgium, China, Japan, Korea

GRACO INC. AND SUBSIDIARIES • P.O. BOX 1441 • MINNEAPOLIS MN 55440-1441 • USA

Copyright 2007, Graco Inc. All Graco manufacturing locations are registered to ISO 9001.

www.graco.com

Revision F, December 2019