

High Speed Spindl-GardTM Lubrication System with Electric Pump

313444E

EN

For applying a constant quantity of oil directly to rotating bearing elements that operate at speeds greater than 250,000 DN. For professional use only.

Models: Page 2

320 psi (2.2 MPa, 22 bar) Maximum Working Pressure

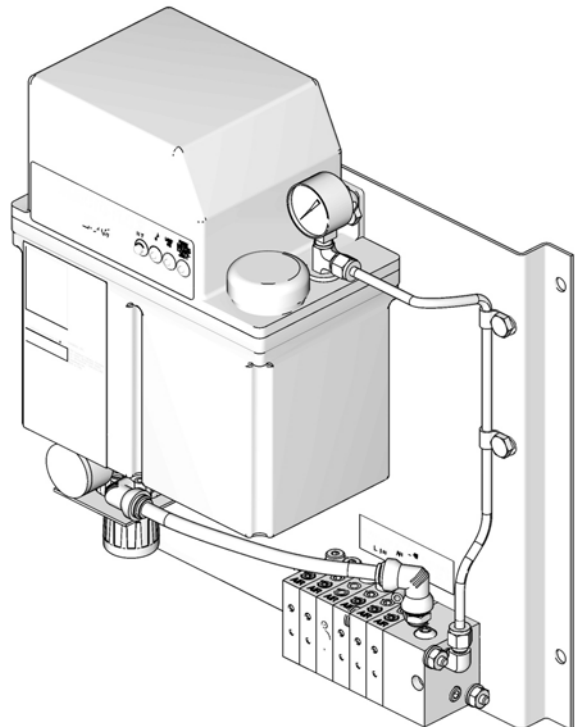


Important Safety Instructions

Read all warnings and instructions in this manual before using the equipment. Save these instructions.

Components:

- Electric motor driven pump
- 0.8 gallon (3 liter) plastic reservoir
- Air/oil dispensing module
- Optional programmable timer/controller








Spindl-Gard with Electric Pump Models

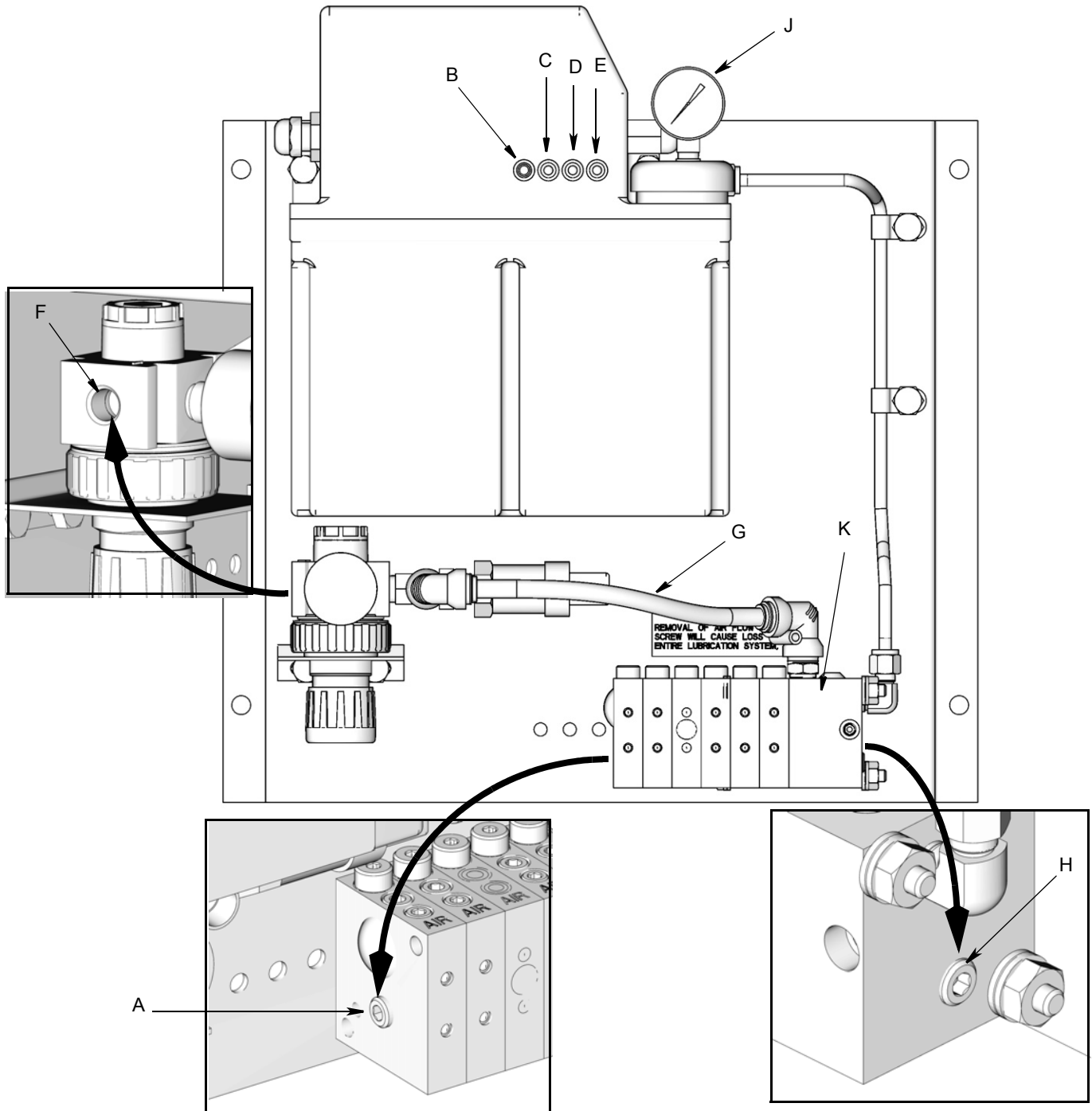
Model No.	Controller Option		Voltage			Number of Outlets								Outputs from Inlet to End CC/Stroke (cu in./stroke)			
	Remote (no timer)	Timer Included (AC Models Only)	24 VDC	115 VAC	230 VAC	1	2	3	4	5	6	7	8	Plugged	0.025 (0.0015)	0.049 (0.0030)	0.082 (0.0050)
24B219		X		X			X								X		
24H681		X			X								X				X
24R127		X		X			X									X	
24V204		X		X			X										X
24V531		X			X					X							X
258295	X		X				X			X							X
258301		X		X							X					X	
258347		X		X							X			X	X		
25A202	X				X				X							X	
25A209		X			X				X							X	
564445	X		X					X								X	
25C264		X		X				X						X			
25C265		X			X			X			X			X			
26C419	X		X				X									X	
26C521		X			X								X	X			

Warnings

The following warnings are for the setup, use, grounding, maintenance, and repair of this equipment. The exclamation point symbol alerts you to a general warning and the hazard symbols refer to procedure-specific risks. When these symbols appear in the body of this manual, refer back to these Warnings. Product-specific hazard symbols and warnings not covered in this section may appear throughout the body of this manual where applicable.

 WARNING	
	<p>EQUIPMENT MISUSE HAZARD</p> <p>Misuse can cause death or serious injury.</p> <ul style="list-style-type: none"> • Do not operate the unit when fatigued or under the influence of drugs or alcohol. • Do not exceed the maximum working pressure or temperature rating of the lowest rated system component. See Technical Specifications in all equipment manuals. • Use fluids and solvents that are compatible with equipment wetted parts. See Technical Specifications in all equipment manuals. Read fluid and solvent manufacturer's warnings. For complete information about your material, request MSDS forms from distributor or retailer. • Check equipment daily. Repair or replace worn or damaged parts immediately with genuine manufacturer's replacement parts only. • Do not alter or modify equipment. • Use equipment only for its intended purpose. Call your distributor for information. • Route hoses and cables away from traffic areas, sharp edges, moving parts, and hot surfaces. • Do not kink or over bend hoses or use hoses to pull equipment. • Keep children and animals away from work area. • Comply with all applicable safety regulations.
 	<p>ELECTRIC SHOCK HAZARD</p> <p>Improper grounding, setup, or usage of the system can cause electric shock.</p> <ul style="list-style-type: none"> • Turn off and disconnect power at main switch before disconnecting any cables and before servicing equipment. • Connect only to grounded power source. • All electrical wiring must be done by a qualified electrician and comply with all local codes and regulations.
	<p>PRESSURIZED EQUIPMENT HAZARD</p> <p>Fluid from the gun/dispense valve, leaks, or ruptured components can splash in the eyes or on skin and cause serious injury.</p> <ul style="list-style-type: none"> • Follow Pressure Relief Procedure in this manual, when you stop spraying and before cleaning, checking, or servicing equipment. • Tighten all fluid connections before operating the equipment. • Check hoses, tubes, and couplings daily. Replace worn or damaged parts immediately.

Component Identification



NOTE: Reference letters are used throughout the instructions on the following pages. Refer back to this page as needed.

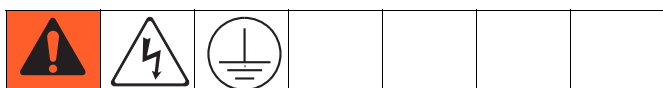
- | | | | |
|---|-------------------------|---|----------------------------------|
| A | Purge Plug | F | 1/4-18 Air Regulator Inlet, NSPF |
| B | Manual Run Reset Button | G | Air/Oil Delivery Line |
| C | Pump ON LED | H | Air Flow Adjustment Screw |
| D | Power ON LED | J | Oil Pressure Gauge |
| E | Alarm LED | K | Air/Oil Mixing Block |

Installation

NOTE: Reference letters used throughout these instructions refer to the reference letter provided on the Component Identification page 4.

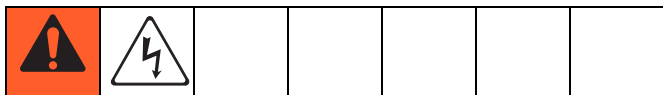
- Mount panel in a dry location near the bearing that is being serviced.
- Line length from the air/oil mixing blocks (K) to the spindle ranges from 2 to 50 feet (0.61 m to 15.24 m).
- Mount panel using 3/8 inch (0.375 mm) diameter bolts. Panel mounting dimensions are provided in the Technical Data section of this manual, page 13.

Grounding



The equipment must be grounded. Grounding reduces the risk of static and electric shock by providing an escape wire for the electrical current due to static build up or in the event of a short circuit.

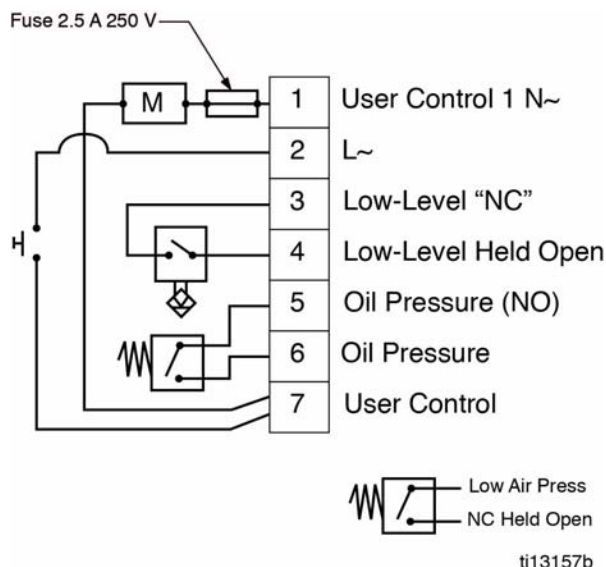
Electrical Connections - All Models



1. Verify all power to the system is disconnected.
2. Remove enclosure cover from top of pump.
3. Install electrical cable through connector located on right side of electrical enclosure.
4. Referring to the wiring diagram for your model (115 and 230 VAC or 24 VDC) in FIG. 1, connect Pump

Power leads to their respective terminals within the enclosure.

Wiring Diagram: 115 VAC & 230 VAC Units



Wiring Diagram: 24 VDC Units

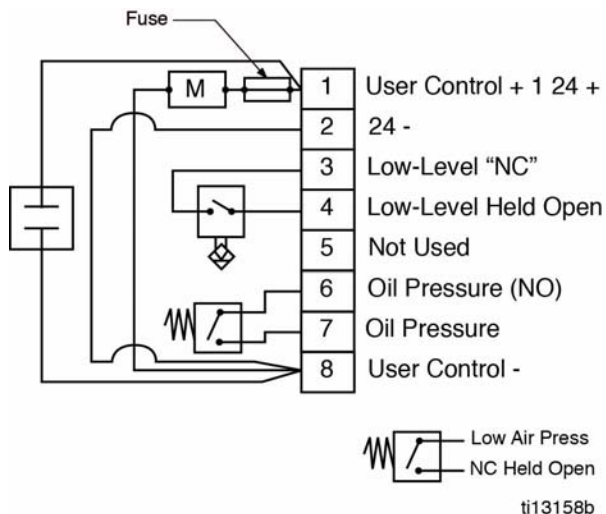


FIG. 1

Timer Models Only

- Connect input power leads to the input terminal block (Terminals 4 and 6) (FIG. 2).

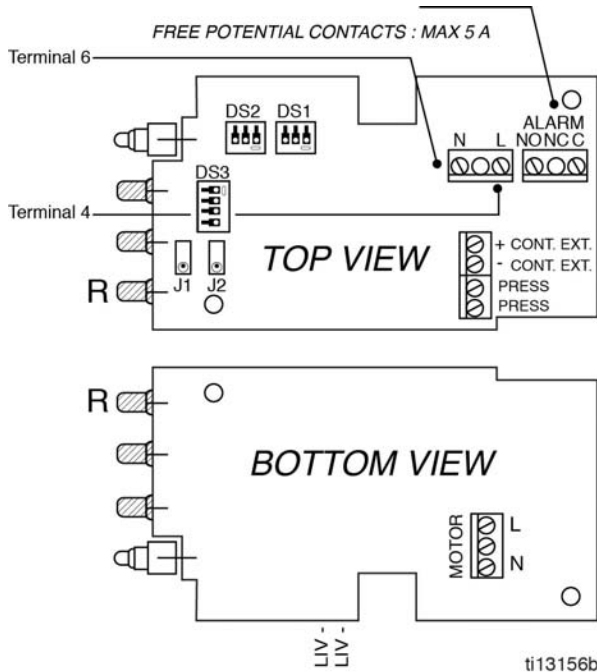


FIG. 2

All Models

- Replace electrical enclosure cover.

Air Flow Data Chart

The tube size from the air/oil mixing block (K) to the bearing is critical for proper air and oil delivery to the bearings. Refer to the Air Flow Chart (below) for orifice and corresponding delivery tube sizes and the resulting airflow.

Orifice Size Inches (mm)	Delivery Tube O.D. Inches (mm)	Delivery Tube I.D. Inches (mm)	Air Flow @30 psi SCFM (LPM)	Air Flow @ 60 psi SCFM (LMP)
0.030 (0.76)	3/16 (5)	1/8 (3)	16.1 (0.570)	25.2 (0.890)
0.040 (1.00)	1/4 (6)	3/16 (5)	27.7 (0.980)	45.2 (1.600)
0.050 (1.27)	5/16 (7)	1/4 (6)	48.4 (1.710)	81.5 (2.880)
0.060 (1.52)	5/16 (7)	1/4 (6)	103.7 (2.180)	103.9 (3.670)

Pneumatic Connections

Pressure Relief Procedure



- Loosen the purge plug (A) on the air/oil mixing block assembly (K).
- Press the manual run button (B) until oil flows out of the port.

Connecting Pneumatic Fittings - All models



NOTE:

- Incoming air should be dry (40°F, 4.4°C) and be filtered to 5 micron.
 - Minimum inside diameter of incoming air line should be 0.25 inch (0.63 cm).
- Connect incoming air line to the 1/4-18 NPSF inlet (F).
 - Connect air/oil delivery line from the air/oil mixing block (K) to the bearing point.

Setup

1. Set the desired Pause (off) and Work (on) Times for your model using the 3 banks of dip switches (DS-1, DS-2, DS-3) located under the electrical enclosure cover on the top of the pump. (See Dip Switch Settings, page 8.)

The possible time choices for both the Pause and Work Times are shown on page 8.

NOTE:

- Pause (off) Time cannot exceed 20 minutes.
 - Work (on) Time cannot exceed 20 seconds.
2. Adjust the air flow using the air flow adjustment screw (H) located on the air/oil mixing blocks (K) by turning the set screw counter-clockwise. When the screw is flush with the surface of the block, the blocks are full open.

To restrict the air flow, turn the adjustment screw clockwise.

NOTE: Entirely removing the air flow adjustment screw (H) will cause a loss of air pressure to the entire lubrication system.

3. Set the pressure regulator for the air/oil mixing blocks between 30 and 60 psi (0.20 MPa, 2.06 bar and 0.41 MPa, 4.13 bar). Refer to Air Flow Chart, page 6 for setting guidelines.
4. Air flow is supplied on a constant basis to the air-oil mixing block. Adjust the air regulator to achieve the required air pressure as follows.
 - a. Fill the reservoir with spindle oil.
 - b. Press the manual run button (B).
 - c. Loosen the purge plug (A) on the air/oil mixing block assembly (K).
 - d. Press the manual run button (B) until oil flows out of the port. As oil begins flowing out of the purge port, quickly tighten the purge plug (A).
 - e. Press the manual run button (B) 10 additional times (allowing approximately 5 seconds OFF time). The pressure should build on the oil pressure gauge (J) to 320 psi (2.21 MPa, 22.1 bar) and drop to 0.0 psi (0 MPa, 0 bar).

- f. If pressure is not established, repeat steps b - e.

Adding a Lubrication Point

To add a point, the air/oil mixing assembly must be removed from the panel. An additional mixing module and new tie rod combination can then be added.

Plugging a Lubrication Point

To plug an air/oil outlet, Graco Plug Part No. 555456 must be installed in the piston distributor port on top of the air/oil mixing block.

Dip Switch Settings: Models With Timers

Pause (off) Time (FIG. 2 and FIG. 3)

The Pause (off) Time is set using dip switches DS3 and DS1 to select the time to deliver the required lube volume per hour. **For example:** If 12 cycles per hour are required $60 \div 12 = 5$; set the pause time to 5 minutes.

NOTE: Do not exceed 20 minutes Pause (off) time.

Work (on) Time (FIG. 2 and FIG. 3)

The Work (on) Time is set using the DS2 dipswitches.

NOTE: A Work (on) Time of 20 seconds will normally be sufficient.

Prelube (FIG. 2 and FIG. 3)

J1 is used to Yes or No. When set to Yes, the lube cycle will immediately power up.

Pressure Switch (FIG. 2 and FIG. 3)

For timer models, J2 must be set to the monitored position.

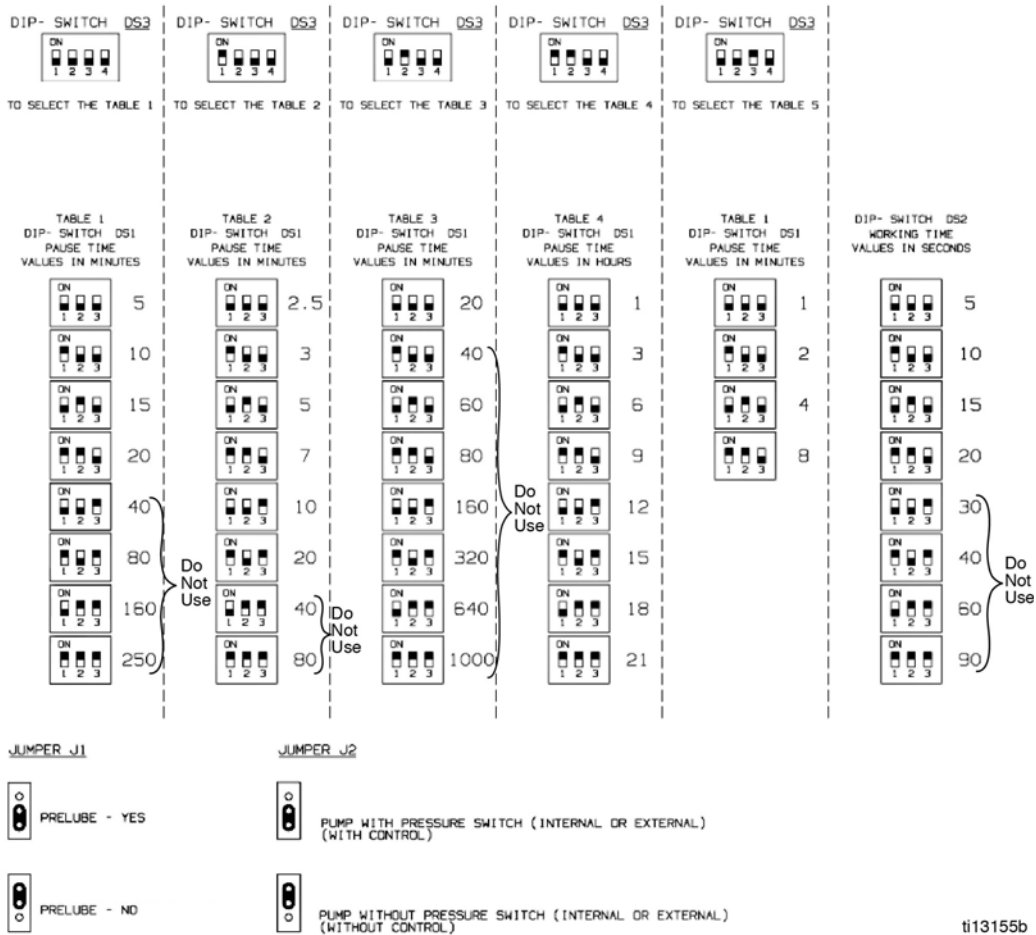


FIG. 3

ti13155b

Controller Settings: Models With Timers

Pause (off) Time (FIG. 3)

Set the Pause (off) Time to between 2 minutes and 20 minutes to deliver the required lube volume per hour.

NOTE: Do not exceed 20 minutes Pause (off) time.

Monitor Time (FIG. 3)

Set the Monitor Time to 20 seconds. This will allow sufficient time for the system pressure to rise, piston distributors to fire and the oil pressure switch to close.

Cycle Switch (FIG. 3)

Set Cycle Switch (oil pressure switch) transition to 1.

Pressure Switch (FIG. 3)

For timer models, J2 must be set to the monitored position.

Operation

Theory of Operation

Air is constantly being applied to the air/oil blocks. After a preset Pause (off) Time, the controller activates the pump. The green “Power ON” LED (D) lights. System pressure builds causing the piston distributors within the air/oil mixing module to fire. The “No OIL” pressure switch closes.

The output from the piston distributor is discharged to the air/oil mixing chamber where the constant flow of air causes a thin film of oil to flow along the delivery tube in a constant, wave-like motion. This film is then applied in the form of a very fine spray from a drilled orifice or nozzle tube to the bearing elements on a constant basis.

If the oil pressure switch closes before the expiration of set Work Time, the pump and “Pump ON” LED (C) turns off and the timer begins its count down to the next lube occurrence.

If the oil pressure switch does NOT close before the expiration of the set Work Time, a fault is registered, causing a red “Alarm” LED (E) to light. The Fault Alarm contacts to transfer. The “Pump ON” LED (C) and pump turn off.

Other System Faults

Fault	Red Alarm LED Lights	Pump Shuts Down	How to Confirm Fault
Reservoir Level Low	X	YES	Visually examine the oil level within the translucent reservoir.
Air Pressure Low (<25 psi, 1.7 bar, 0.17 MPa)	X	YES	Visually examine the air pressure gauge

NOTE: If a fault occurs, press the Manual Run/Rest button to clear the fault and restart the pump. The pump will not start until the fault is cleared.

Startup Procedure

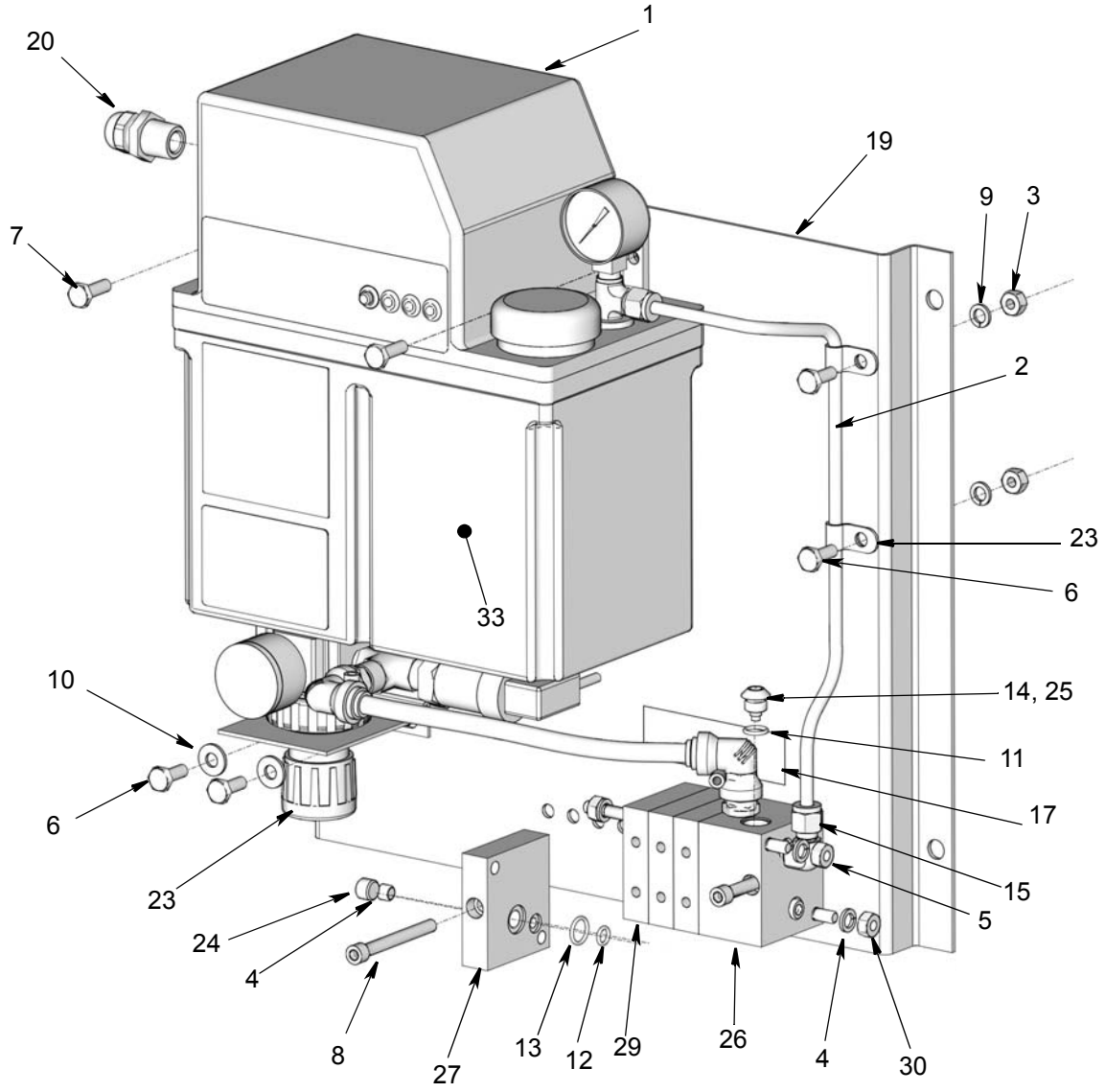
1. Verify the pressure regulator set point for the air/oil mixing blocks; the bearing should be receiving air.
2. Repeatedly press the manual run button (B) (allowing approximately 5 seconds of OFF time between cycles).

3. Verify oil output from each of the air/oil mixing blocks.

NOTE: This step also ensures that the inside of the air/oil delivery lines are coated with oil.

4. If a Timer is used, verify the cycle time.
5. Allow the system to stabilize for 15 minutes; then check the air/oil lines to ensure that oil has reached the bearing.
6. Start the spindle.

Parts



ti128633

Parts

Ref	Part No.	Description	Qty
1	562850	PUMP, EO-3 motor/timer 115V (models 24B219, 258301, 24R127, 24V204, 25C264 and 258347)	1
	564254	PUMP, EO-3 24V, with timer (models 258295 and 564445)	1
	258294	PUMP, EO-3 230V, without timer, PS/LL (models 24H681, 24V531, 26C419, 25C265, 26C521 and 25A209)	1
	24B430	PUMP, EO-3, 230V w/o timer (model 25A202)	1
2		TUBE, nylon 6mm OD	1
3		NUT, hex	8
4	555456	PLUG, 1/16 NPT	2
5	558801	FITTING, elbow 1/8 NPT X 6mm tube	1
6		SCREW, 1/4-20 X.625 hex hd cap	4
7		SCREW, 1/4-20 X.750	2
8		SCREW, 1/4-20 X 2.25 soc hd cap	2
9		WASHER, lock	8
10		WASHER, plain	2
11		O-RING, -008 BUNA-N 70 DURO	1
12		O-RING, -010 BUNA-N 70 DURO	1
13		O-RING, -013 BUNA-N 70 DURO	1
14		O-RING, ARP-4 BUNA-N 90 DURO	1
15		INSERT, brass, 6mm tube	2
17▲	558707	LABEL, warning air adj scr	1
19	16D893	BASE, Spindl-Gard	1
20		CLAMP, strain relief	1
21		CONNECTOR, tap, splice wire 22-16 AWG (not shown)	2
22	558900	REGULATOR, assy psi switch spindl	1
23	557324	CLIP, half 1/4 tube stl	2
24		PLUG, dry seal 1/8 NPTF	2
25	563489	ELEMENT, filter integral 10 MIC	1
26	561031	BLOCK, inlet Spindl-Gard	1
27	561032	BLOCK, outlet Spindl-Gard	1

Ref	Part No.	Description	Qty
29	563130	BLOCK, Spindl-Gard, 0.0015	
		model 24B219	2
		model 258347	2
		model 25C264	3
		model 25C265	3
	563131	BLOCK, Spindl-Gard, 0.0030	
		model 564445	3
		model 25A202	4
		model 24R127	2
		model 258347	4
		model 258301	6
		model 25A209	4
		model 26C419	2
30	563132	BLOCK, Spindl-Gard, 0.0050	
		model 258295	2
		model 24V531	5
		model 24H681	8
		model 24V204	2
		model 26C521	2
	563940	KIT, repair, tie rod, SG-2 (models 24B219, 258295, 24R127, 24V204, 26C419)	1
	563941	KIT, repair, tie rod, SG-6 (model 258301 and 258347)	1
	564444	KIT, repair, tie rod, SG-3 (model 564445, 25C264, 25C265)	1
	15U854	KIT, repair, tie rod, SG4 (model 25A202 and 25A209)	1
15U855	KIT, repair, tie rod, SG-5	1	
15U856	KIT, repair, tie rod, SG-8 (model 24V531, 24H681, 26C521)	1	
33	555991	LABEL, serial number	1

▲ Replacement Danger and Warning labels, tags and cards are available at no cost.

Technical Specifications

High Speed Spindl-Gard™ Lubrication System with Electric Pump		
	US	Metric
Pressure Readings		
Pressure Relief Setting	350 psi	3.4 MPa, 34 bar
Output Block Regulator	30 - 60 psi	0.207 - 0.414 MPa, 2.07 - 4.14 bar
Pressure Switch Set Points		
Air (N.C.)	25 psi nonadjustable	0.17 MPa, 1.7 bar nonadjustable
Oil (N.O)	320 psi nonadjustable	2.2 MPa, 22 bar nonadjustable
Materials		
Seals Used	Buna-N	
Nozzles	Tube ID/Orifice Ratio	
Delivery Tube Length Required		
Minimum	24 inches	0.6 mm
Maximum	50 feet	15.24 m
Lubricant		
Lubricant	Oils up to 2500 SUS (ISO 460)	
Lubrication Output	0.0015, 0.0030, and 0.005 inch ³ per cycle	0.025, 0.049, and 0.082 cm ³ per cycle
Air Cleanliness Requirements	5 micron 40°F Dew point	5 micron 4°C Dew point
Lubrication Filtration Requirements	Filter to a minimum level recommended by the Society of Automotive Engineers (SAE) which corresponds to the ISO Standard 4406 ratings/specifications of ISO 18/14.	
Control Options		
Remote (External Control or Customer PLC)	115 VAC, 230 VAC, 1 Ph, 50/60 Hz, 24 VDC	
*AC Timer	115 VAC, 230 VAC, 1 Ph 50/60 Hz	
Work (On) Time	5 - 20 seconds	
Pause (Off) Time	2.5 - 20 minutes	
Low Level	NC (held open) 115/230 VAC, 10 watt load	
Other Data		
Motor Power	1/18 hp	
Plastic Reservoir	0.8 gal. (3 Liter)	
Operating Temperature	40°F - 120°F	4°C - 49°C
Pump Output	8.5 in ³ / min.	140 cm ³ /min

Graco Standard Warranty

Graco warrants all equipment referenced in this document which is manufactured by Graco and bearing its name to be free from defects in material and workmanship on the date of sale to the original purchaser for use. With the exception of any special, extended, or limited warranty published by Graco, Graco will, for a period of twelve months from the date of sale, repair or replace any part of the equipment determined by Graco to be defective. This warranty applies only when the equipment is installed, operated and maintained in accordance with Graco's written recommendations.

This warranty does not cover, and Graco shall not be liable for general wear and tear, or any malfunction, damage or wear caused by faulty installation, misapplication, abrasion, corrosion, inadequate or improper maintenance, negligence, accident, tampering, or substitution of non-Graco component parts. Nor shall Graco be liable for malfunction, damage or wear caused by the incompatibility of Graco equipment with structures, accessories, equipment or materials not supplied by Graco, or the improper design, manufacture, installation, operation or maintenance of structures, accessories, equipment or materials not supplied by Graco.

This warranty is conditioned upon the prepaid return of the equipment claimed to be defective to an authorized Graco distributor for verification of the claimed defect. If the claimed defect is verified, Graco will repair or replace free of charge any defective parts. The equipment will be returned to the original purchaser transportation prepaid. If inspection of the equipment does not disclose any defect in material or workmanship, repairs will be made at a reasonable charge, which charges may include the costs of parts, labor, and transportation.

THIS WARRANTY IS EXCLUSIVE, AND IS IN LIEU OF ANY OTHER WARRANTIES, EXPRESS OR IMPLIED, INCLUDING BUT NOT LIMITED TO WARRANTY OF MERCHANTABILITY OR WARRANTY OF FITNESS FOR A PARTICULAR PURPOSE.

Graco's sole obligation and buyer's sole remedy for any breach of warranty shall be as set forth above. The buyer agrees that no other remedy (including, but not limited to, incidental or consequential damages for lost profits, lost sales, injury to person or property, or any other incidental or consequential loss) shall be available. Any action for breach of warranty must be brought within two (2) years of the date of sale.

GRACO MAKES NO WARRANTY, AND DISCLAIMS ALL IMPLIED WARRANTIES OF MERCHANTABILITY AND FITNESS FOR A PARTICULAR PURPOSE, IN CONNECTION WITH ACCESSORIES, EQUIPMENT, MATERIALS OR COMPONENTS SOLD BUT NOT MANUFACTURED BY GRACO. These items sold, but not manufactured by Graco (such as electric motors, switches, hose, etc.), are subject to the warranty, if any, of their manufacturer. Graco will provide purchaser with reasonable assistance in making any claim for breach of these warranties.

In no event will Graco be liable for indirect, incidental, special or consequential damages resulting from Graco supplying equipment hereunder, or the furnishing, performance, or use of any products or other goods sold hereto, whether due to a breach of contract, breach of warranty, the negligence of Graco, or otherwise.

FOR GRACO CANADA CUSTOMERS

The Parties acknowledge that they have required that the present document, as well as all documents, notices and legal proceedings entered into, given or instituted pursuant hereto or relating directly or indirectly hereto, be drawn up in English. Les parties reconnaissent avoir convenu que la rédaction du présente document sera en Anglais, ainsi que tous documents, avis et procédures judiciaires exécutés, donnés ou intentés, à la suite de ou en rapport, directement ou indirectement, avec les procédures concernées.

Graco Information

For the latest information about Graco products, visit www.graco.com.

For patent information, see www.graco.com/patents.

TO PLACE AN ORDER, contact your Graco distributor or call to identify the nearest distributor.

Phone: 612-623-6928 or Toll Free: 1-800-533-9655, Fax: 612-378-3590

All written and visual data contained in this document reflects the latest product information available at the time of publication. Graco reserves the right to make changes at any time without notice.

Original instructions. This manual contains English. MM 313444

Graco Headquarters: Minneapolis
International Offices: Belgium, China, Japan, Korea

GRACO INC. P.O. BOX 1441 MINNEAPOLIS, MN 55440-1441

Copyright 2012, Graco Inc. is registered to ISO 9001

www.graco.com

Revision E, August 2019