

Air Motor Repair Kits

3A3696B

Endura-Flo™ 3D150, 3D350, 4D150, and 4D350 Diaphragm Pumps

EN

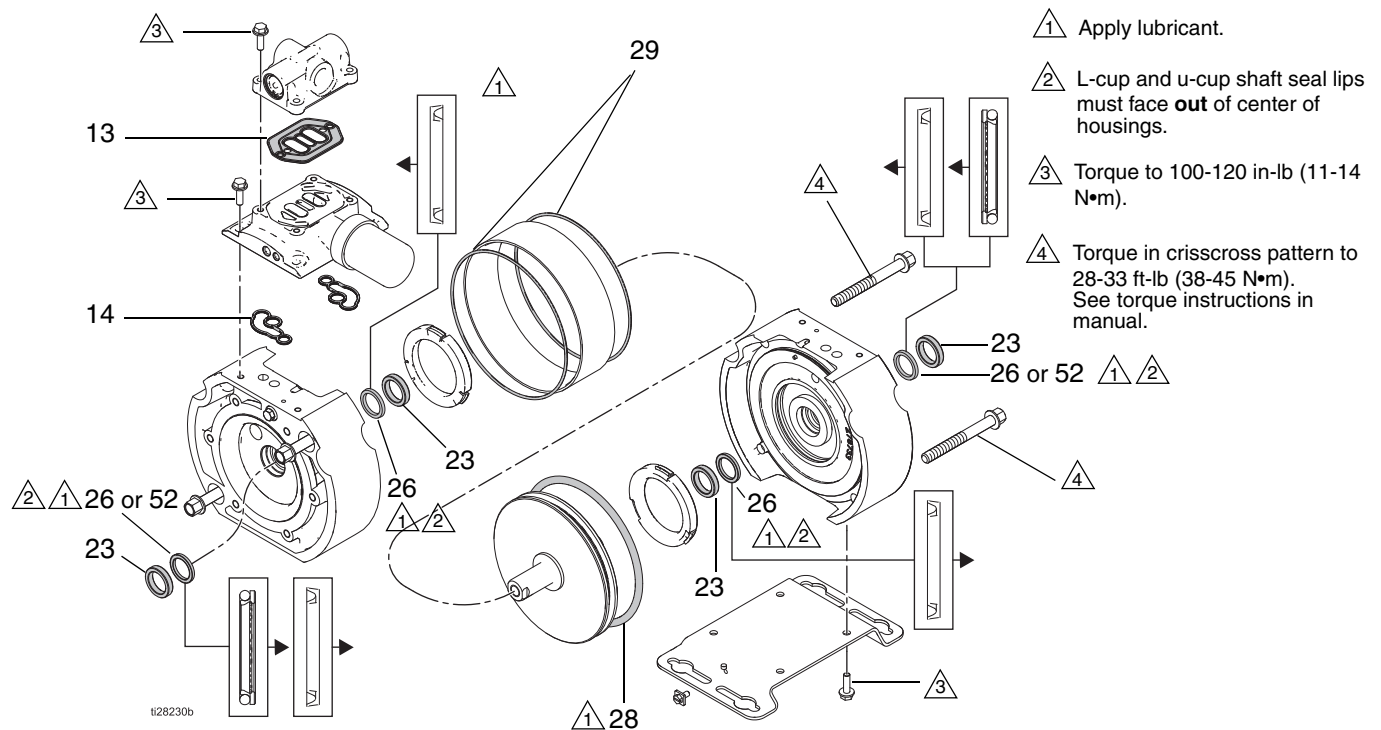


Important Safety Instructions

Read all warnings and instructions in the Endura-Flo™ Diaphragm Pump Instructions/Parts manual. Save all instructions.

- Kit 17W767, for 3D150 Pumps
- Kit 17W768, for 3D350 Pumps
- Kit 17H304, for 4D150 Pumps
- Kit 17H305, for 4D350 Pumps

Ref.	Description	Qty.
13	GASKET, air valve	1
14	GASKET, air manifold	2
23	BEARING, shaft	4
26	U-CUP, shaft seal, 3D pumps	2
	U-CUP, shaft seal, 4D pumps	4
28	O-RING, piston, buna-n	1
29	O-RING, air covers	2
52	L-CUP shaft seal, 3D pumps	2
---	TOOL, bearing installation, not shown	1



GRACO INC. AND SUBSIDIARIES • P.O. BOX 1441 • MINNEAPOLIS MN 55440-1441 • USA

Copyright 2016, Graco Inc. All Graco manufacturing locations are registered to ISO 9001.

3A3696, Revision B, March 2018