

# Fluid Pressure Limit Kits

3A3700B

Endura-Flo™ 3D150, 3D350, 4D150, and 4D350 Diaphragm Pumps

EN



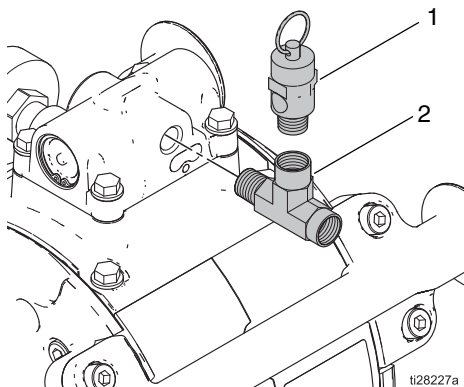
### Important Safety Instructions

Read all warnings and instructions in the Endura-Flo™ Diaphragm Pump Instructions/Parts manual. Save all instructions.

**Kit 17J610, for 3D150 and 4D150 Pumps**  
**Kit 17J888, for 3D350 and 4D350 Pumps**

| Ref. | Description                                     | Qty. |
|------|---|------|
| 1    | VALVE, pressure relief, 70 psi (0.5 MPa, 5 bar) | 1    |
| 2    | FITTING, tee                                    | 1    |
| 3    | BUSHING; used in Kit 17J888                     | 1    |

4D150



4D350

