

# Electric Grease Jockey Pump Union Kit

3A5080A

EN

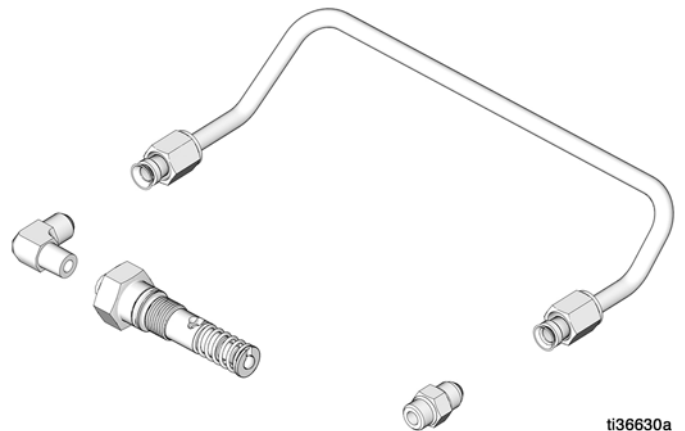
*For doubling output on Electric Greasy Jockey products only. For professional use only.*

**Part No. 25C983**



## Important Safety Instructions

Read all warnings and instructions in this and all of your manuals before using the equipment. Save these instructions.



# Pressure Relief Procedure



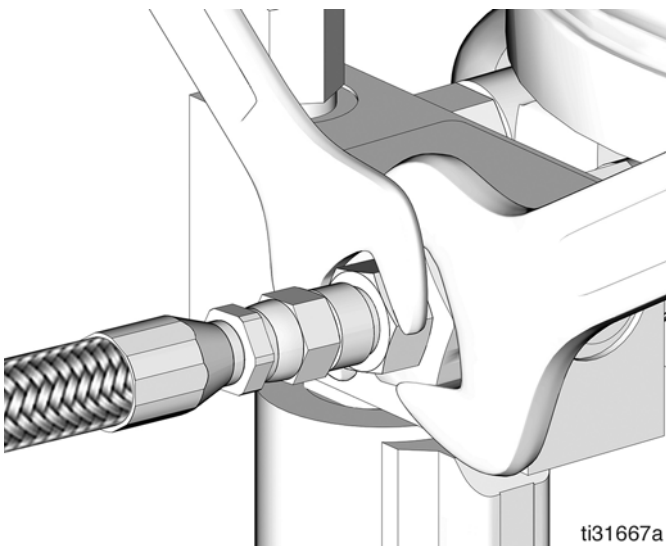
## SKIN INJECTION HAZARD

High-pressure fluid from dispense device, hose leaks, or ruptured components will pierce skin. This may look like just a cut, but it is a serious injury that can result in amputation. **Get immediate surgical treatment.**

Follow **Pressure Relief Procedure** in this manual, when you stop dispensing and before cleaning, checking, or servicing equipment.

1. Disconnect the power cable.
2. Relieve pressure in the system by using two wrenches working in opposite directions on the outlet fitting and the hose fitting to only loosen the fitting.

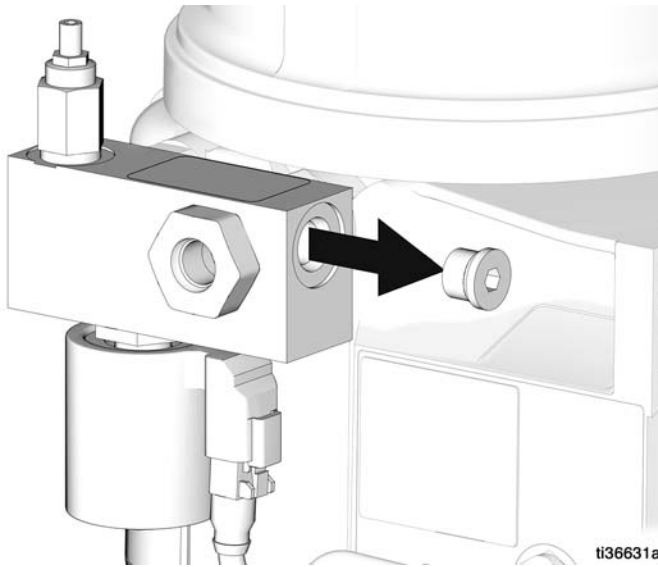
NOTE: When loosening pump element fitting, do not loosen the pump element. Loosening the pump element will change the output volume (FIG. 1).



**FIG. 1: Pressure Relief**

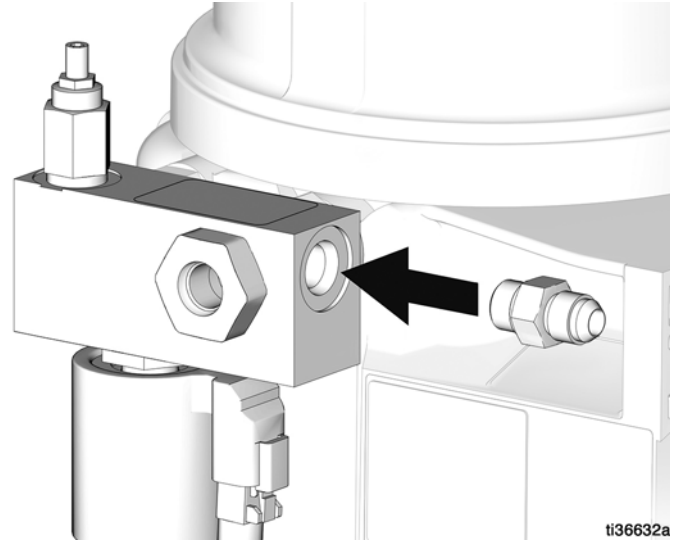
# Installation

1. See Pressure Relief instructions for any pump currently in use.
2. Disconnect power.
3. Disconnect the hose fitting from the outlet fitting.
4. Remove the vent valve outlet plug using a 1/4 in. hex bit. A socket ratchet wrench is recommend (FIG. 2).



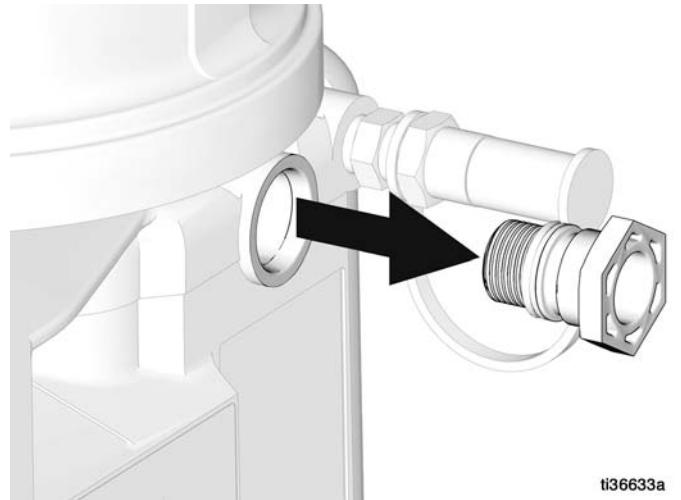
**FIG. 2:**

5. Install the straight fitting into the vent valve and tighten until snug (FIG. 3).



**FIG. 3:**

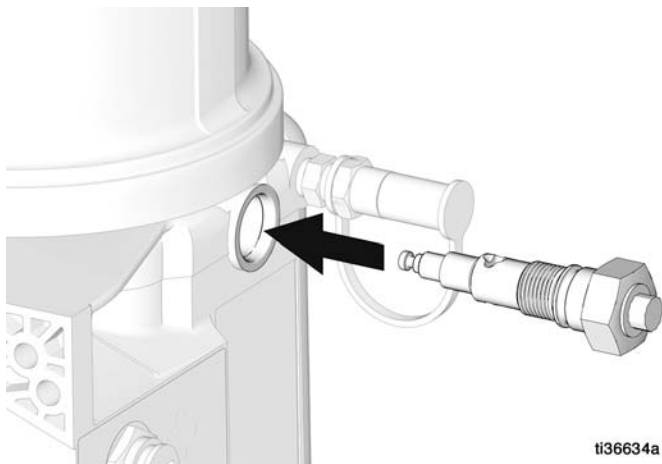
6. Remove the pump element plug located on the other side of the pump using a 1 1/8 in. wrench (FIG. 4).



**FIG. 4:**

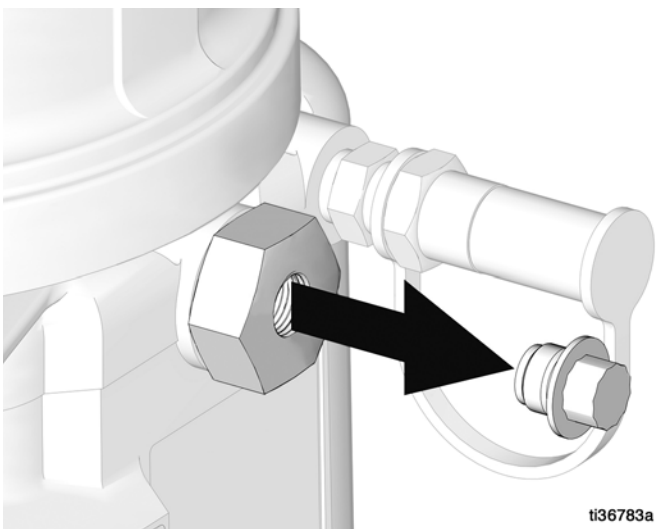
Installation

7. Install the pump element and tighten to 50 in-lb (FIG. 5).



**FIG. 5:**

8. Remove the plug on the pump element (FIG. 6).

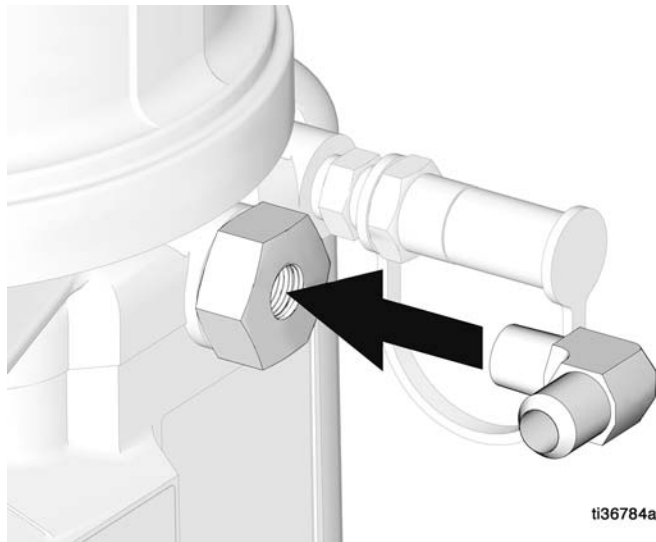


**FIG. 6:**

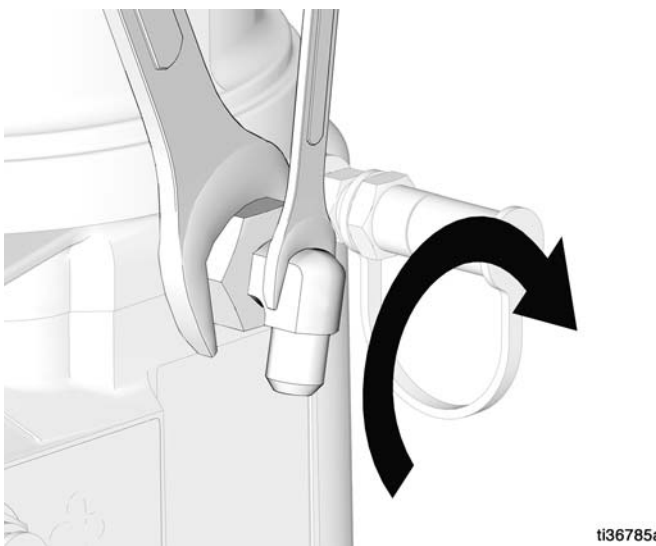
9. Apply non-PTFE liquid thread sealant to the NPT threads of the elbow fitting that will be installed into the pump element.

NOTE: Non-PTFE liquid thread sealant is recommended so PTFE does not break off and cause damage to the injectors.

10. Holding the pump element with 1 1/8 in. wrench, tighten the elbow fitting so that it is facing the back of the Electric Grease Jockey (FIG. 7 and FIG. 8).

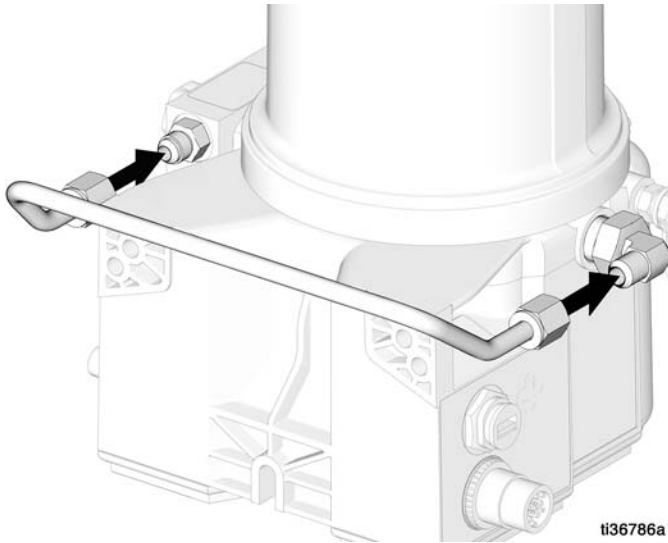


**FIG. 7:**



**FIG. 8:**

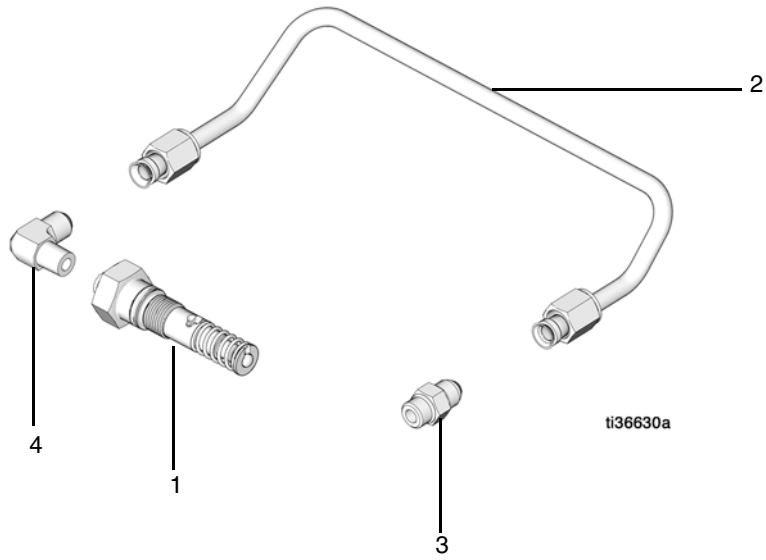
11. With both fittings now pointing toward the back of the Electric Grease Jockey, align and install the flared tube to the fittings (FIG. 9).



**FIG. 9:**

12. Reconnect power.
13. Run the pump until the grease being pumped from the outlet is free of air bubbles.
14. Reconnect the hose fitting to the pump outlet fitting.

# Parts



Ref.	Part	Description	Qty.
1	25C987	Kit, Pump, Element, EGJ	1
2	17S710	Tube, Fluid, Junction 2nd Pump	1
3	129763	Fitting, Straight, 9/16MJ x 9/16SAE	1
4	556765	Fitting, Elbow, 3/8T x 1/4MP	1



# Graco Standard Warranty

Graco warrants all equipment referenced in this document which is manufactured by Graco and bearing its name to be free from defects in material and workmanship on the date of sale to the original purchaser for use. With the exception of any special, extended, or limited warranty published by Graco, Graco will, for a period of twelve months from the date of sale, repair or replace any part of the equipment determined by Graco to be defective. This warranty applies only when the equipment is installed, operated and maintained in accordance with Graco's written recommendations.

This warranty does not cover, and Graco shall not be liable for general wear and tear, or any malfunction, damage or wear caused by faulty installation, misapplication, abrasion, corrosion, inadequate or improper maintenance, negligence, accident, tampering, or substitution of non-Graco component parts. Nor shall Graco be liable for malfunction, damage or wear caused by the incompatibility of Graco equipment with structures, accessories, equipment or materials not supplied by Graco, or the improper design, manufacture, installation, operation or maintenance of structures, accessories, equipment or materials not supplied by Graco.

This warranty is conditioned upon the prepaid return of the equipment claimed to be defective to an authorized Graco distributor for verification of the claimed defect. If the claimed defect is verified, Graco will repair or replace free of charge any defective parts. The equipment will be returned to the original purchaser transportation prepaid. If inspection of the equipment does not disclose any defect in material or workmanship, repairs will be made at a reasonable charge, which charges may include the costs of parts, labor, and transportation.

**THIS WARRANTY IS EXCLUSIVE, AND IS IN LIEU OF ANY OTHER WARRANTIES, EXPRESS OR IMPLIED, INCLUDING BUT NOT LIMITED TO WARRANTY OF MERCHANTABILITY OR WARRANTY OF FITNESS FOR A PARTICULAR PURPOSE.**

Graco's sole obligation and buyer's sole remedy for any breach of warranty shall be as set forth above. The buyer agrees that no other remedy (including, but not limited to, incidental or consequential damages for lost profits, lost sales, injury to person or property, or any other incidental or consequential loss) shall be available. Any action for breach of warranty must be brought within two (2) years of the date of sale.

**GRACO MAKES NO WARRANTY, AND DISCLAIMS ALL IMPLIED WARRANTIES OF MERCHANTABILITY AND FITNESS FOR A PARTICULAR PURPOSE, IN CONNECTION WITH ACCESSORIES, EQUIPMENT, MATERIALS OR COMPONENTS SOLD BUT NOT MANUFACTURED BY GRACO.** These items sold, but not manufactured by Graco (such as electric motors, switches, hose, etc.), are subject to the warranty, if any, of their manufacturer. Graco will provide purchaser with reasonable assistance in making any claim for breach of these warranties.

In no event will Graco be liable for indirect, incidental, special or consequential damages resulting from Graco supplying equipment hereunder, or the furnishing, performance, or use of any products or other goods sold hereto, whether due to a breach of contract, breach of warranty, the negligence of Graco, or otherwise.

## **FOR GRACO CANADA CUSTOMERS**

The Parties acknowledge that they have required that the present document, as well as all documents, notices and legal proceedings entered into, given or instituted pursuant hereto or relating directly or indirectly hereto, be drawn up in English. Les parties reconnaissent avoir convenu que la rédaction du présente document sera en Anglais, ainsi que tous documents, avis et procédures judiciaires exécutés, donnés ou intentés, à la suite de ou en rapport, directement ou indirectement, avec les procédures concernées.

# Graco Information

**For the latest information about Graco products, visit [www.graco.com](http://www.graco.com).**

**For patent information, see [www.graco.com/patents](http://www.graco.com/patents).**

**TO PLACE AN ORDER, contact your Graco distributor or call to identify the nearest distributor.**

**Phone: 612-623-6928 or Toll Free: 1-800-533-9655, Fax: 612-378-3590**

*All written and visual data contained in this document reflects the latest product information available at the time of publication. Graco reserves the right to make changes at any time without notice.*

Original instructions. This manual contains English. MM 3A5080

**Graco Headquarters: Minneapolis**

**International Offices: Belgium, China, Japan, Korea**

**GRACO INC. AND SUBSIDIARIES • P.O. BOX 1441 • MINNEAPOLIS MN 55440-1441 • USA  
Copyright 2019, Graco Inc. All Graco manufacturing locations are registered to ISO 9001.**

[www.graco.com](http://www.graco.com)  
Revision A, September 2019