

Instructions



Grease Jockey Vent Valve and Pump Element Replacement Kits

3A5081C
EN

Used to replace components on the Grease Jockey pump. For professional use only.

Vent Valve Kits:

25C965 - 12 Volt, 2000 psi (137.9 bar, 13.79 MPa)

25C966 - 24 Volt, 2000 psi (137.9 bar, 13.79 MPa)

26C493 - 12 Volt, 1000 psi (68.95 bar, 6.89 MPa)

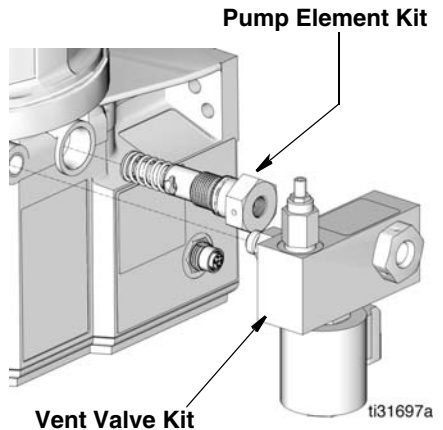
26A856 - 24 Volt, 1000 psi (68.95 bar, 6.89 MPa)

Pump Element Kit: 25C987



Important Safety Instructions

Read all warnings and instructions in this manual and the Electric Grease Jockey instruction manual included with your system. Save all instructions.



Instructions




Warnings

See the Electric Grease Jockey instruction manual for additional warnings.

WARNING				
				
SKIN INJECTION HAZARD				
High-pressure fluid from dispense device, hose leaks, or ruptured components will pierce skin. This may look like just a cut, but it is a serious injury that can result in amputation. Get immediate surgical treatment.				
Follow Pressure Relief Procedure in this manual, when you stop dispensing and before cleaning, checking, or servicing equipment.				

Pressure Relief Valve (3, page 6)

The pressure relief valve is factory set to 2000 psi (13.8 MPa, 138 bar). Do NOT adjust this setting.





WARNING				
				
SKIN INJECTION HAZARD				
Adjusting the pressure relief valve to increase the pressure may result in hose leaks or ruptured components which could result in a serious skin injection injury.				

Adjusting the pressure relief valve to decrease the pressure may negatively impact the performance of the pump or the lubrication system.

Pressure Relief Procedure



Follow the Pressure Relief Procedure whenever you see this symbol.

WARNING				
				
This equipment stays pressurized until pressure is manually relieved. To help prevent serious injury from pressurized fluid, such as skin injection, splashing fluid and moving parts, follow the Pressure Relief Procedure when you stop dispensing and before cleaning, checking, or servicing the equipment.				

Relieve pressure in system using two wrenches working in opposite directions on the banjo bolt (a) and outlet fitting (b) to **slowly loosen fitting only** until fitting is loose and no more lubricant or air is leaking from fitting (FIG. 1).

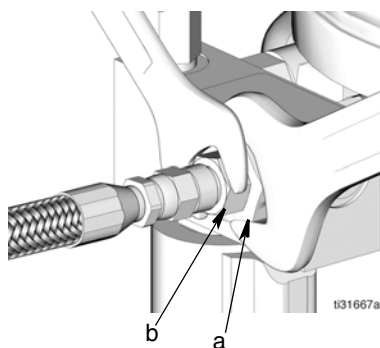


FIG. 1

Instructions

Disassembly

The reference numbers used in the following instructions correspond to parts included in repair kits and are provided on page 6. Parts identified with an alpha character are user provided or already installed components.

Vent Valve and Pump Element

1. Disconnect power to pump.
2. Disconnect power cable (c) from pump cartridge solenoid (2) (FIG. 2).

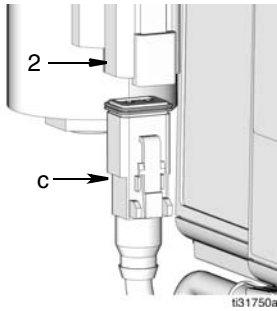


FIG. 2

3. **Relieve pressure** (page 2).
4. Disconnect anything installed to the pump element such as pressure relief valves, outlet union or other fittings.

5. Use a wrench to loosen banjo bolt (a) and remove vent valve (d) from pump element (e) (FIG. 3).

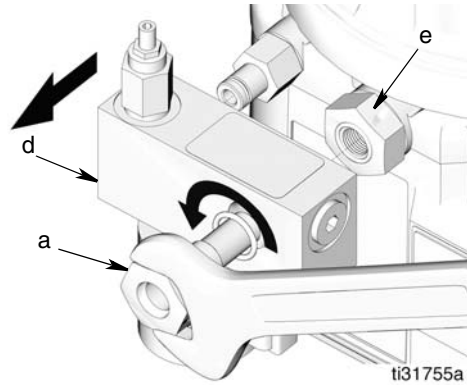


FIG. 3

6. Remove vent valve alignment bolt (f) installed in pump (FIG. 4).

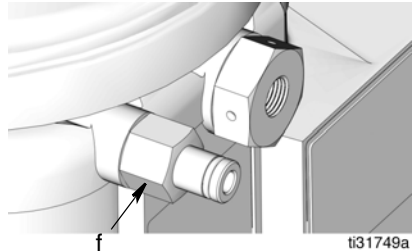


FIG. 4

If you are replacing the Pump Element, continue Disassembly instructions with Step 7. If you are only replacing the Vent Valve go to Installation, Step 4.

Instructions

Pump Element Only - Step 7

7. Use a wrench to loosen pump element (e) and completely remove pump element from pump housing as shown in FIG. 9.

Make sure spring with piston (g) is removed with the pump element (FIG. 9).

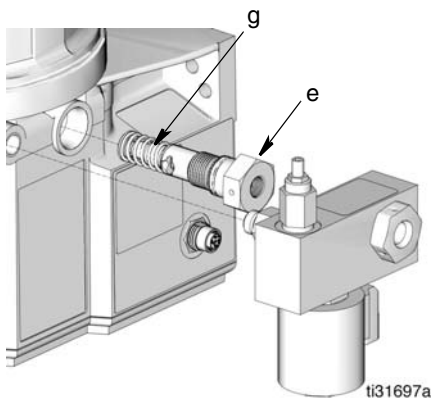


FIG. 5

Installation

The vent valve (d) and pump element (e) are no longer needed. Dispose of these parts according to all applicable guidelines. Use new parts included in the replacement kit.

Pump Element Only - Steps 1-3.

1. Examine new pump element (11). Make sure the o-ring (12) and spring with piston (11a), are installed (FIG. 9).

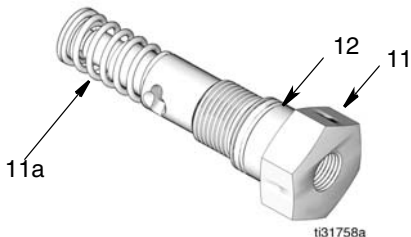


FIG. 6

2. Slide pump element (11) into pump. Be careful not to cross-thread the pump element during installation.
3. Hand tighten pump element (11) (FIG. 7). Then torque to 50 in.-lbs (5.6 N•m).

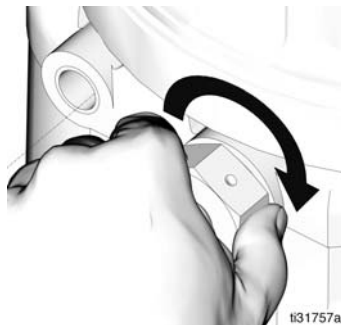


FIG. 7

Vent Valve and Pump Element

4. Be sure the two o-rings (8, 9) are correctly installed on bolt (7) as shown in FIG. 8. Apply a thin coating of grease around o-rings.

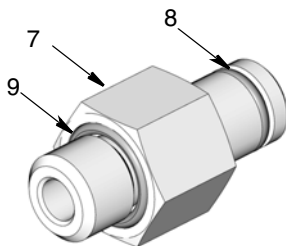


FIG. 8

5. Install vent valve alignment bolt (7) in the pump. Torque bolt to 25 in.-lbs (2.82 N•m) (FIG. 9).

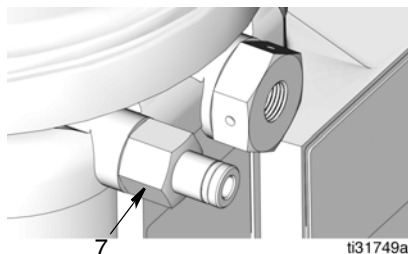


FIG. 9

- Grease o-ring (6) and install in block opening (1a) as shown in FIG. 10.

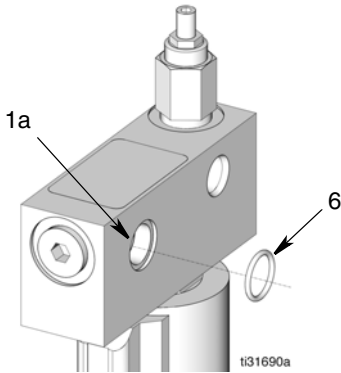


FIG. 10

- Be sure o-ring (5) is installed on the banjo bolt (4) as shown in FIG. 11.
- Install banjo bolt (4) through hole (1b) in block (1) and into pump. Tighten banjo bolt securely (FIG. 11). Torque to 35 ft.-lbs. (47.45 N•m).

NOTE:

- Securely hold a second wrench on the pump element (11) to prevent the pump element from turning and over-tightening to the pump housing.
- System connection is made through the primary outlet (4a).

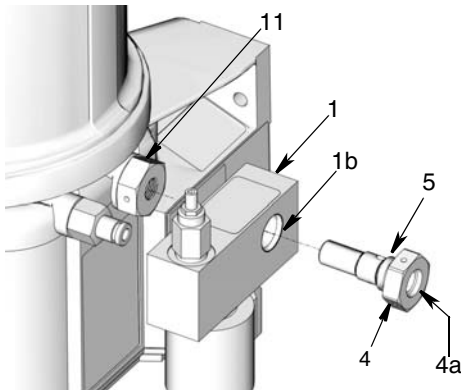


FIG. 11

- Connect cable connector (d) to cartridge solenoid (2) (FIG. 12).

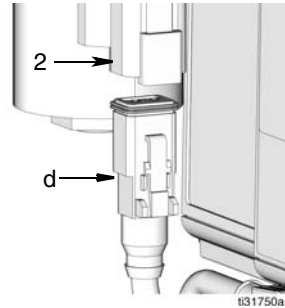


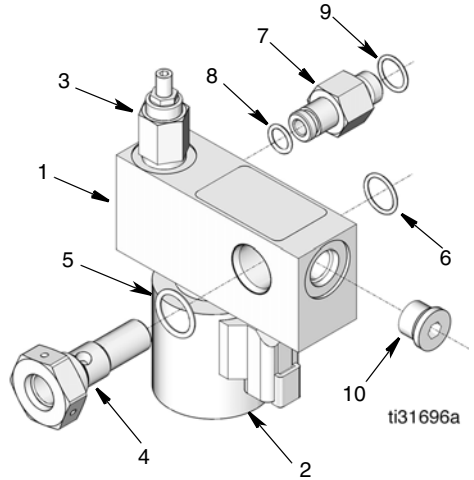
FIG. 12

- Prime the pump. Refer to the Electric Grease Jockey instruction manual for pump priming instructions.

Parts

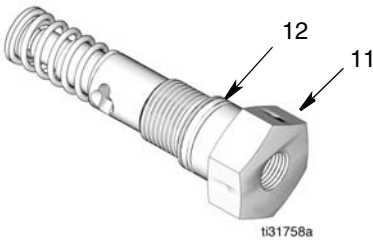
Vent Valve

Ref	Part No.	Description	Qty
1		MANIFOLD, vent valve	1
2		VALVE, cartridge, solenoid, 12 V	1
		VALVE, cartridge, solenoid, 24 V	1
3		VALVE, cartridge, pressure relief	1
4		BOLT, banjo 2 in 1 mount	1
5	121063	O-RING, 908 FKM	1
6	115719	PACKING, o-ring, 015 FKM	1
7		BOLT, vent valve alignment	1
8	122277	O-RING, 2-102 V75	1
9	103610	PACKING, o-ring	1
10	129752	PLUG, cap, hex head, 9/16-18 SAE	1



Pump Element

Ref	Description	Qty
11	PUMP, element	1
12	O-RING	1



Graco Information

For the latest information about Graco products, visit www.graco.com.

For patent information, see www.graco.com/patents.

TO PLACE AN ORDER, contact your Graco distributor or call to identify the nearest distributor.

Phone: 612-623-6928 or Toll Free: 1-800-533-9655, Fax: 612-378-3590

All written and visual data contained in this document reflects the latest product information available at the time of publication.

Graco reserves the right to make changes at any time without notice.

Original instructions. This manual contains English. MM 3A5081

Graco Headquarters: Minneapolis

International Offices: Belgium, China, Japan, Korea

GRACO INC. AND SUBSIDIARIES • P.O. BOX 1441 • MINNEAPOLIS MN 55440-1441 • USA

Copyright 2017, Graco Inc. All Graco manufacturing locations are registered to ISO 9001.

www.graco.com

Revised October 2019