

GH933 250 Foot Hose Kits

3A5269E

EN

For use with Architectural Coating, Paints, Roof Coatings and Below Grade Coatings

7250 psi (50 MPa, 500 bar) Maximum Working Pressure

Model: 16U281 GH933 / 16U285 GH933 ES

with L145C2 pump and filter use 16U761 hose kit

Model: 17B484, GH933 ES

with L145C1 pump has no filter use 17B825 hose kit



Important Safety Instructions

Read all warnings and instructions in this manual, related manuals and on the equipment.
Be familiar with the controls and the proper usage of the equipment.
Save these instructions.











Contents

- Warnings** **3**
- Pressure Relief Procedure** **4**
- Preparation** **5**
 - Hose Kits 5
 - Tools Needed 5
 - Pump Identification 5
 - Connect Hose to Pump 5
 - Connect Hose-to-Hose 6
 - Connect Gun to Hose 7
 - Install Extension and Spray Tip 7
 - Alternative Hose Joint Assembly 8
- Graco Standard Warranty** **9**

Warnings

The following warnings are for the setup, use, grounding, maintenance, and repair of this equipment. The exclamation point symbol alerts you to a general warning and the hazard symbols refer to procedure-specific risks. When these symbols appear in the body of this manual or on warning labels, refer back to these Warnings. Product-specific hazard symbols and warnings not covered in this section may appear throughout the body of this manual where applicable.

 <h1 style="margin: 0;">WARNING</h1>	
 	<p>EQUIPMENT MISUSE HAZARD</p> <p>Misuse can cause death or serious injury.</p> <ul style="list-style-type: none"> • Do not exceed the maximum working pressure or temperature rating of the lowest rated system component. See Technical Data in all equipment manuals. • Use fluids and solvents that are compatible with equipment wetted parts. See Technical Data in all equipment manuals. Read fluid and solvent manufacturer's warnings. For complete information about your material, request MSDS from distributor or retailer. • Turn off all equipment and follow the Pressure Relief Procedure when equipment is not in use. • Check equipment daily. Repair or replace worn or damaged parts immediately with genuine manufacturer's replacement parts only. • Do not alter or modify equipment. Alterations or modifications may void agency approvals and create safety hazards. • Use equipment only for its intended purpose. Call your distributor for information. • Do not use 1,1,1-trichloroethane, methylene chloride, other halogenated hydrocarbon solvents or fluids containing such solvents. • Comply with all applicable safety regulations.
 	<p>MOVING PARTS HAZARD</p> <p>Moving parts can pinch, cut or amputate fingers and other body parts.</p> <ul style="list-style-type: none"> • Keep clear of moving parts. • Do not operate equipment with protective guards or covers removed. • Pressurized equipment can start without warning. Before checking, moving, or servicing equipment, follow the Pressure Relief Procedure and disconnect all power sources.
  	<p>SKIN INJECTION HAZARD</p> <p>High-pressure spray is able to inject toxins into the body and cause serious bodily injury. In the event that injection occurs, get immediate surgical treatment.</p> <ul style="list-style-type: none"> • Do not aim the gun at, or spray any person or animal. • Keep hands and other body parts away from the discharge. For example, do not try to stop leaks with any part of the body. • Always use the nozzle tip guard. Do not spray without nozzle tip guard in place. • Do not leave the unit energized or under pressure while unattended. When the unit is not in use, turn off the unit and follow the Pressure Relief Procedure for turning off the unit. • Always engage the trigger lock when not spraying. Verify the trigger lock is functioning properly.

Pressure Relief Procedure



Follow the Pressure Relief Procedure whenever you see this symbol.

This equipment stays pressurized until pressure is manually relieved. To help prevent serious injury from pressurized fluid, such as skin injection, splashing fluid and moving parts, follow the Pressure Relief Procedure when you stop dispensing and before cleaning, checking, or servicing the equipment.

1. Engage trigger lock.

2. Turn ON/OFF switch to OFF.
3. Disengage trigger lock. Hold metal part of gun against grounded metal pail and trigger gun into pail to relieve pressure.
4. Engage the trigger lock.
5. Open all fluid drain valves in the system, having a waste container ready to catch drainage. Leave drain valve(s) open until you are ready to spray again.
6. If you suspect the spray tip or hose is clogged or that pressure has not been fully relieved after following the steps above, **VERY SLOWLY** loosen tip guard retaining nut or hose end coupling to relieve pressure gradually, then loosen completely. Clear hose or tip obstruction.

Preparation

Hose Kits

Pump	Kit
L145C2 with filter	16U761
L145C1 without filter	17B825

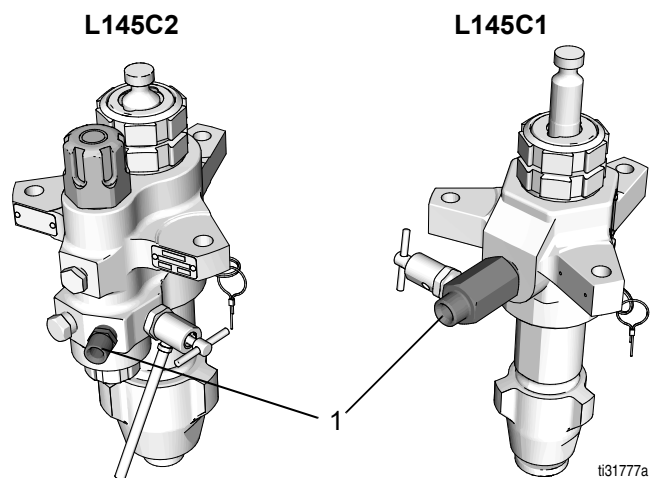
Inspect 3/4 NPSM male pipe fittings. Make certain they have internal 30° chamfers that are clean and free of nicks or burrs.

Tools Needed

- 12 in. adjustable, open-end wrench (2) for 3/8 & 1/4
- 14 in. or larger adjustable, open-end wrench (2) for 3/4 & 1/2.
- Ft. Lb torque wrench
- Thread sealant
- Hydraulic fluid or light weight lubricant

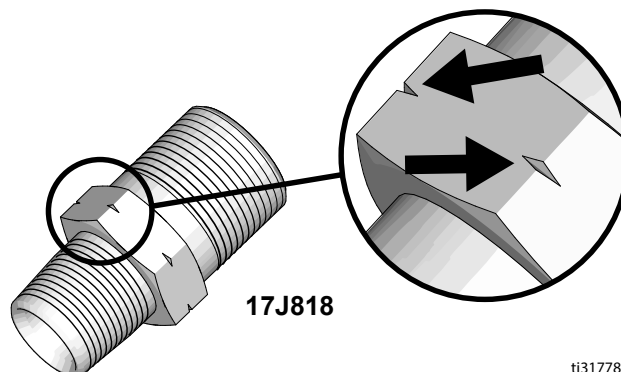
Pump Identification

Identify your pump and locate the pump outlet (1).



After determining which pump you have, perform step 1 or 2.

Locate the 17J818 (1/2 NPT x 3/4 NPSM) fitting. This fitting is identified by the notches cut in the hex.



ti31778a

1. L145C2 Pump with filter
 - a. Remove 1/2 NPT x 1/2 NPT outlet fitting from the pump.
 - b. Apply thread sealant to the 1/2 NPT end of the 17J818 fitting.
 - c. Install fitting into the pump outlet.

2. L145C1 Pump without filter

Hose is connected directly to the pump outlet fitting.

Connect Hose to Pump

1. Inspect 3/4 fitting chamfer.
2. Lubricate the threads and the entire chamfered area with hydraulic fluid or other light weight lubricant.
3. Connect hose H77550 swivel nut directly to 3/4 NPT pump outlet fitting. (1)
4. Turn swivel nut until finger tight.
5. Place a wrench on hex of male pump outlet fitting to prevent fitting from turning in the pump and torque swivel nut to 84-90 ft.-lb (114-122 N•m).

NOTICE

When torquing swivel nut on straight swivel union fittings, it may be necessary to also place a wrench on the fitting wrench pad to prevent the fitting from backing out of its port while torquing the swivel nut.

Connect Hose-to-Hose

Refer to the illustration on the following page.

1. Locate three 17J816 3/4 NPSM x 3/4 NPSM fitting. Inspect 3/4 fitting chambers.
2. Lubricate the threads and the entire chamfered area with hydraulic fluid or other light weight lubricant.
3. Thread a 17J816 into swivel on the open end of hose coming from the pump.
4. Turn swivel nut until finger tight.
5. Place a wrench on hex of male pump outlet fitting to prevent fitting from turning in the pump and torque swivel nut to 84-90 ft.-lb (114-122 N•m).
6. Connect a second hose H77550 (50 ft.) swivel nut directly to 17J816 fitting on the first hose.
7. Turn swivel nut until finger tight.
8. Place a wrench on hex of fitting to prevent fitting from turning and torque swivel nut to 84-90 ft.-lb (114-122 N•m).
9. Thread a 17J816 into swivel on the open end of second hose.
10. Turn swivel nut until finger tight.
11. Place a wrench on hex of male pump outlet fitting to prevent fitting from turning in the pump and torque swivel nut to 84-90 ft.-lb (114-122 N•m).
12. Connect third hose H77550 (50 ft.) swivel nut directly to 17J816 fitting on the second hose.
13. Turn swivel nut until finger tight.
14. Place a wrench on hex of fitting to prevent fitting from turning and torque swivel nut to 84-90 ft.-lb (114-122 N•m).
15. Thread a 17J816 into swivel on the open end of third hose.
16. Turn swivel nut until finger tight.
17. Place a wrench on hex of fitting to prevent fitting from turning and torque swivel nut to 84-90 ft.-lb (114-122 N•m).
18. Connect fourth hose H77550 (50 ft.) swivel nut directly to 17J816 fitting on the third hose.
19. Turn swivel nut until finger tight.
20. Place a wrench on hex of fitting to prevent fitting from turning and torque swivel nut to 84-90 ft.-lb (114-122 N•m).
21. Thread a 17J817 reducer 3/4 NPSM x 1/2 NPSM (no notches on the hex) into swivel on the open end of fourth hose.
22. Turn swivel nut until finger tight.
23. Place a wrench on hex of fitting to prevent fitting from turning and torque swivel nut to 84-90 ft.-lb (114-122 N•m).
24. Connect fifth hose H75050 swivel nut directly to 17J817 fitting on the fourth hose.
25. Turn swivel nut until finger tight.
26. Place a wrench on hex of fitting to prevent fitting from turning and torque swivel nut to 47-54 ft.-lb (64-73 N•m).
27. Thread a 159239 reducer 1/2 NPT x 3/8 NPT into swivel on the open end of fourth hose.
28. Turn swivel nut until finger tight.
29. Place a wrench on hex of fitting to prevent fitting from turning and torque swivel nut to 47-54 ft.-lb (64-73 N•m).
30. Connect sixth hose H73810 (10 ft.) swivel nut directly to 159239 fitting on the fifth hose.
31. Turn swivel nut until finger tight.
32. Place a wrench on hex of fitting to prevent fitting from turning and torque swivel nut to 35-40 ft.-lb (48-54 N•m).
33. Thread a 159239 reducer 3/8 NPT x 1/2 NPT into swivel on the open end of sixth hose. Torque 20-25 ft.-lb (27-34 N•m).
34. Install swivel assembly 17G980 1/2 x 3/8 onto the end of the union swivel 159239. Torque 20-25 ft.-lb (27-34 N•m).

Connect Gun to Hose

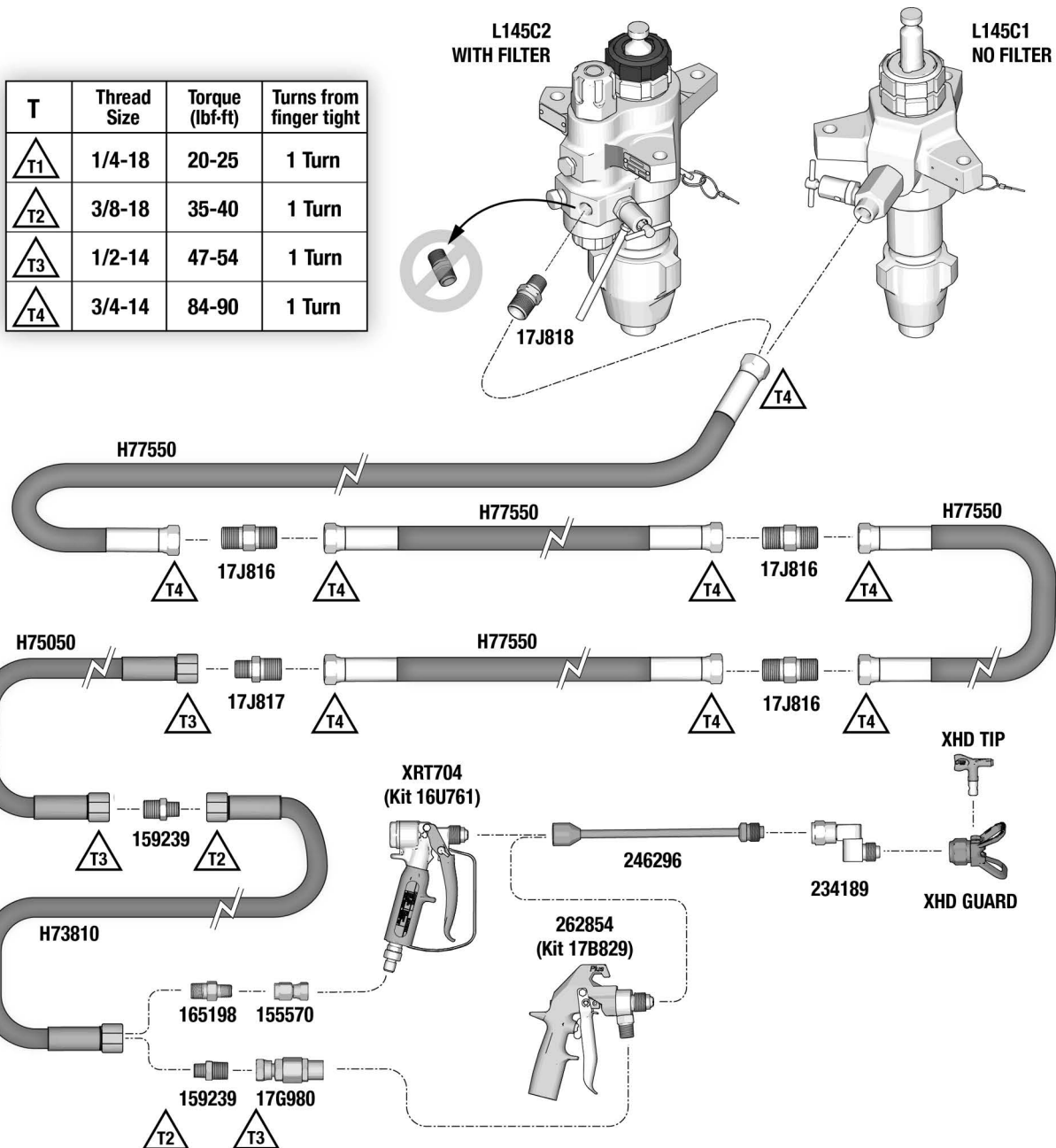
When spray gun XTR704 from hose kit 16U761 is used, connect it directly to the swivel 165198 and 155570 installed at the end of the last hose.

When spray gun 262854 from hose kit 17B825 is used, connect the swivel assembly 17G980 installed at the end of the last hose to the gun.

Install Extension and Spray Tip

1. Thread gun extension 246296 onto the spray gun.
2. Install angle spray nozzle 234189 onto the gun extension.
3. Install tip guard XHD531 onto the angle spray nozzle.

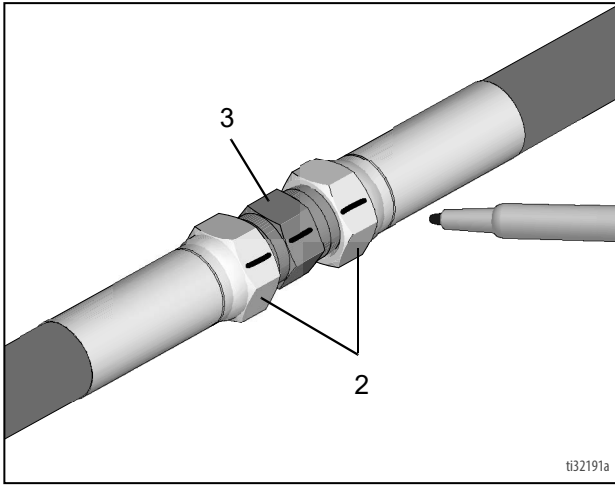
Check all fittings to make certain all connections are properly tightened and torqued as specified.



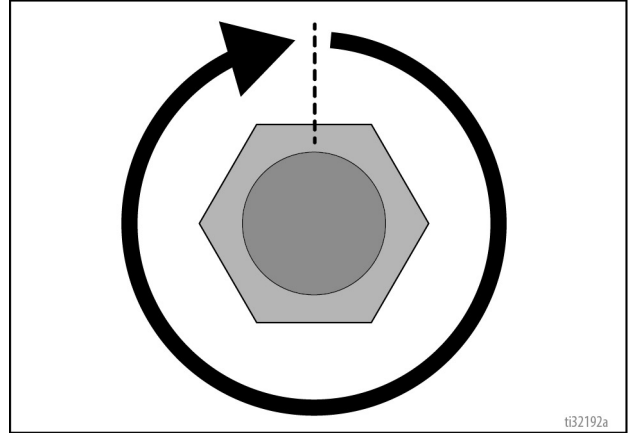
ti31779a

Alternative Hose Joint Assembly

1. Inspect fitting chambers. Must be clean and without surface defects.
2. Lubricate threads and chambers.
3. Turn swivel nut on fitting until tight.
4. Mark hose swivel nuts (2) and connect fitting (3) with permanent marker.



5. Using two wrenches, tighten hose swivel nut an additional full turn.



6. Check fitting connections during use to verify proper tightening.

Graco Standard Warranty

Graco warrants all equipment referenced in this document which is manufactured by Graco and bearing its name to be free from defects in material and workmanship on the date of sale to the original purchaser for use. With the exception of any special, extended, or limited warranty published by Graco, Graco will, for a period of twelve months from the date of sale, repair or replace any part of the equipment determined by Graco to be defective. This warranty applies only when the equipment is installed, operated and maintained in accordance with Graco's written recommendations.

This warranty does not cover, and Graco shall not be liable for general wear and tear, or any malfunction, damage or wear caused by faulty installation, misapplication, abrasion, corrosion, inadequate or improper maintenance, negligence, accident, tampering, or substitution of non-Graco component parts. Nor shall Graco be liable for malfunction, damage or wear caused by the incompatibility of Graco equipment with structures, accessories, equipment or materials not supplied by Graco, or the improper design, manufacture, installation, operation or maintenance of structures, accessories, equipment or materials not supplied by Graco.

This warranty is conditioned upon the prepaid return of the equipment claimed to be defective to an authorized Graco distributor for verification of the claimed defect. If the claimed defect is verified, Graco will repair or replace free of charge any defective parts. The equipment will be returned to the original purchaser transportation prepaid. If inspection of the equipment does not disclose any defect in material or workmanship, repairs will be made at a reasonable charge, which charges may include the costs of parts, labor, and transportation.

THIS WARRANTY IS EXCLUSIVE, AND IS IN LIEU OF ANY OTHER WARRANTIES, EXPRESS OR IMPLIED, INCLUDING BUT NOT LIMITED TO WARRANTY OF MERCHANTABILITY OR WARRANTY OF FITNESS FOR A PARTICULAR PURPOSE.

Graco's sole obligation and buyer's sole remedy for any breach of warranty shall be as set forth above. The buyer agrees that no other remedy (including, but not limited to, incidental or consequential damages for lost profits, lost sales, injury to person or property, or any other incidental or consequential loss) shall be available. Any action for breach of warranty must be brought within two (2) years of the date of sale.

GRACO MAKES NO WARRANTY, AND DISCLAIMS ALL IMPLIED WARRANTIES OF MERCHANTABILITY AND FITNESS FOR A PARTICULAR PURPOSE, IN CONNECTION WITH ACCESSORIES, EQUIPMENT, MATERIALS OR COMPONENTS SOLD BUT NOT MANUFACTURED BY GRACO. These items sold, but not manufactured by Graco (such as electric motors, switches, hose, etc.), are subject to the warranty, if any, of their manufacturer. Graco will provide purchaser with reasonable assistance in making any claim for breach of these warranties.

In no event will Graco be liable for indirect, incidental, special or consequential damages resulting from Graco supplying equipment hereunder, or the furnishing, performance, or use of any products or other goods sold hereto, whether due to a breach of contract, breach of warranty, the negligence of Graco, or otherwise.

FOR GRACO CANADA CUSTOMERS

The Parties acknowledge that they have required that the present document, as well as all documents, notices and legal proceedings entered into, given or instituted pursuant hereto or relating directly or indirectly hereto, be drawn up in English. Les parties reconnaissent avoir convenu que la rédaction du présente document sera en Anglais, ainsi que tous documents, avis et procédures judiciaires exécutés, donnés ou intentés, à la suite de ou en rapport, directement ou indirectement, avec les procédures concernées.

Graco Information

For the latest information about Graco products, visit www.graco.com.

For patent information, see www.graco.com/patents.

TO PLACE AN ORDER, contact your Graco distributor or call 1-800-690-2894 to identify the nearest distributor.

*All written and visual data contained in this document reflects the latest product information available at the time of publication.
Graco reserves the right to make changes at any time without notice.*

Original instructions. This manual contains English. MM 3A5269

Graco Headquarters: Minneapolis

International Offices: Belgium, China, Japan, Korea

GRACO INC. AND SUBSIDIARIES • P.O. BOX 1441 • MINNEAPOLIS MN 55440-1441 • USA
Copyright 2016, Graco Inc. All Graco manufacturing locations are registered to ISO 9001.

www.graco.com

Revision E, September 2022