

CSP EZ Greaser

3A8033A

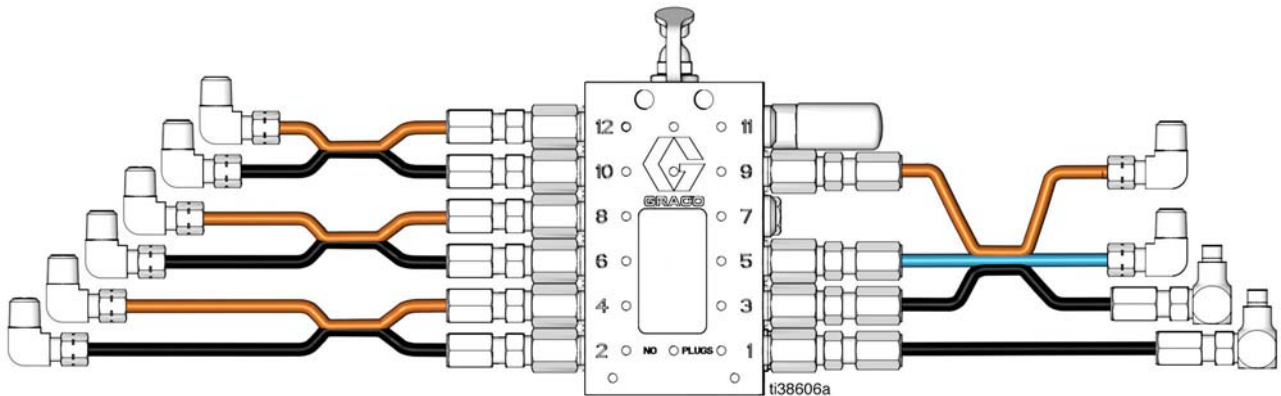
FRONT LEFT/RIGHT DUAL STEERING 10 POINT #25T386

EN



Important Safety Instructions

Read all warnings and instructions in the pump manual before using the equipment. Save these instructions.



Typical Layout

Point No.	Description	Tube Color	Bundle & Marking	Endpoint Fitting
1	Spring Pin, Front	Black	Single Tube (P/N 563786)	Elbow (P/N 556638)
3	Tie-Rod End	Black	3-Tube Bundle (P/N 563783)	Elbow and Straight Connector (P/N 15K740 and 556645)
5	King Pin, Lower	Blue		Elbow (P/N 556638)
7	PLUG	N/A		
9	King Pin, Upper	Orange		Elbow (P/N 556638)
11	PLUG		N/A	

Point No.	Description	Tube Color	Bundle & Marking	Endpoint Fitting
2	Spring Pin, Rear	Black	2-Tube Bundle "1" (P/N 563788)	Elbow (P/N 556638)
4	Spring Pin, Rear	Orange		Elbow (P/N 556638)
6	S-Cam	Black	2-Tube Bundle "2" (P/N 563788)	Elbow (P/N 556638)
8	Slack Adjuster	Orange		Elbow (P/N 556638)
10	Drag Link	Black	2-Tube Bundle (P/N 563788)	Elbow and Straight Connector (P/N 15K740 and 556644)
12	Drag Link	Orange		Elbow and Straight Connector (P/N 15K740 and 556644)

California Proposition 65

CALIFORNIA RESIDENTS

 **WARNING:** Cancer and reproductive harm – www.P65warnings.ca.gov.

Graco Information

For the latest information about Graco products, visit www.graco.com.

For patent information, see www.graco.com/patents.

TO PLACE AN ORDER, contact your Graco distributor or call to identify the nearest distributor.

Phone: 612-623-6928 or Toll Free: 1-800-533-9655, Fax: 612-378-3590

*All written and visual data contained in this document reflects the latest product information available at the time of publication.
Graco reserves the right to make changes at any time without notice.*

Original instructions. This manual contains English. MM 3A8033

Graco Headquarters: Minneapolis

International Offices: Belgium, China, Japan, Korea

GRACO INC. AND SUBSIDIARIES • P.O. BOX 1441 • MINNEAPOLIS MN 55440-1441 • USA
Copyright 2020, Graco Inc. All Graco manufacturing locations are registered to ISO 9001.

www.graco.com
Revision A, August 2020