

Uni-Drum Supply System Safety Kit

3A8499A

EN

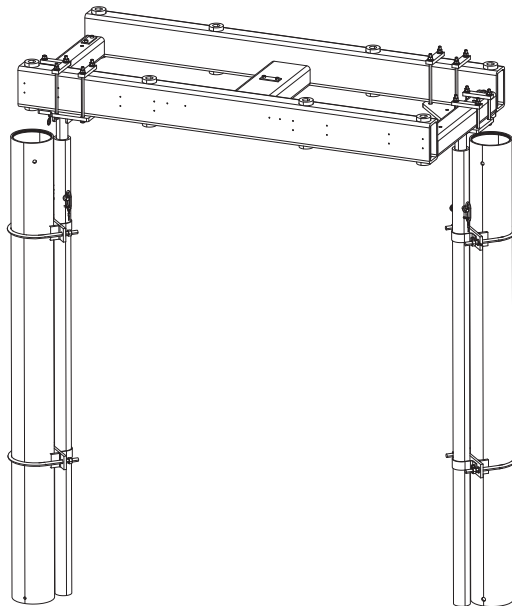
Prevents ram from lowering when the safety pins are installed. For professional use only.

Part No. 26B772, 26B774

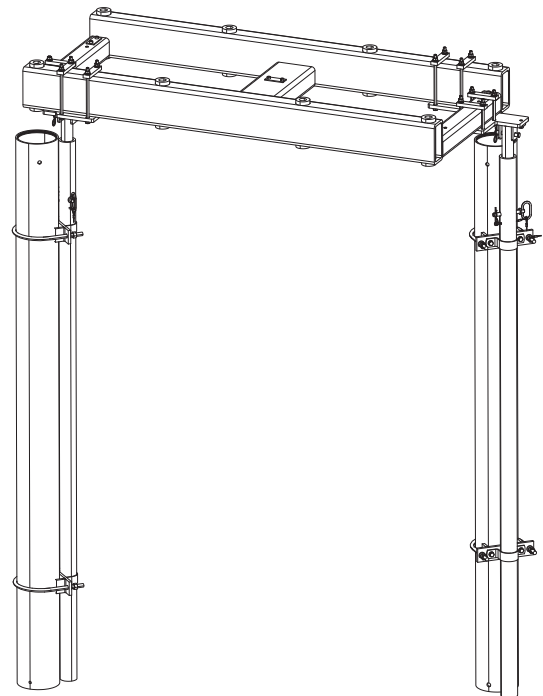


Important Safety Instructions

Read all warnings and instructions in this manual and in manual 309028 before using the equipment. Save all instructions.



26B772



26B774

Component Identification

**26B772 Shown
Left-Handed Unit**

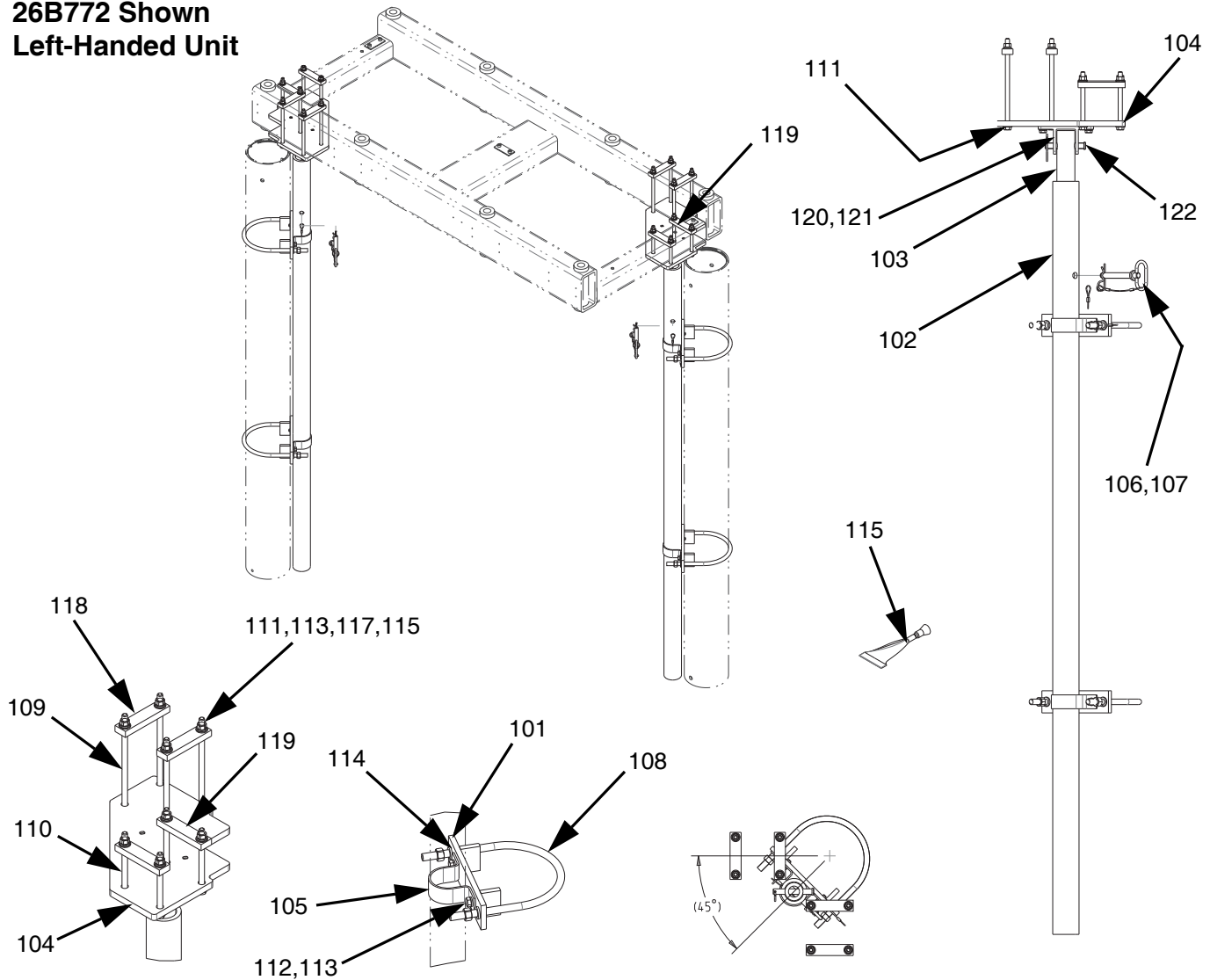


FIG. 1: 26B772 Left-Handed

Ref.	Part	Description	Qty.	Ref.	Part	Description	Qty.
101	26B769	BRACKET, cylinder support	4	112	123284	SCREW, HHC	8
102	18D250*	TUBE, support, outer	2	113	100133	WASHER, lock, 3/8	24
	18D257†	TUBE, support, outer	2	114	100018	WASHER, lock, spring, 1/2	8
103	18D251*	TUBE, support, inner	2	115	113500	ADHESIVE, anaerobic	1
	18D258†	TUBE, support, inner	2	117	100307	NUT, hex	16
104	18D249*	PLATE, base, lock out	2	118	18D253	PLATE, mounting, u-bolt, 3/8	7
	18D249†	PLATE, base, lock out	1	119	18D254	PLATE, mounting, u-bolt, 3/8, thk	1
105	133303	STRAP, pipe, 2 in.	4	120	18D252	BRACKET, lock out, unidrum	2
106	16Y456	PIN, safety, hitch	2	121	113802	SCREW, hex head, flanged	4
107	15G945	CABLE, lanyard, 24 in.	2	122	133305	PIN, clevis	2
108	15G946	BOLT, U, 1/2 x 8.375	4	123	18D256†	PLATE, base, lock out	1
109	133306	SCREW, HHC	8				
110	123389	SCREW	8				
111	101971	WASHER, thrust	32				

* Parts included with 26B772 only.
† Parts included with 26B774 only.

Installation and Setup

NOTE: It is recommended to perform steps 1-3 with equipment positioned on the floor or on an assembly bench.

1. Attach the outer pipe support (102) to the cylinder support brackets (101) using the supplied pipe straps (105), screws (112), and washers (113). The pin guide hole in the outer support pipe should be positioned parallel to the cylinder support brackets to simplify installation. See FIG. 2 for recommended mounting locations on the pipe. Do not fully tighten hardware. Keep loose for adjustment. Final torques to be applied in step 16.

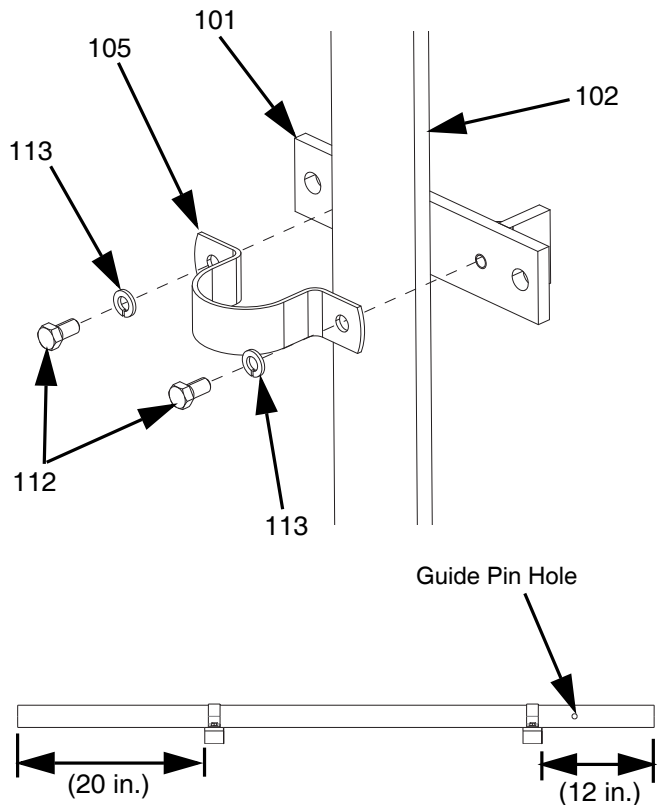


FIG. 2

2. Attach the support bracket (120) to the inner support bar (103) using the pin (122).

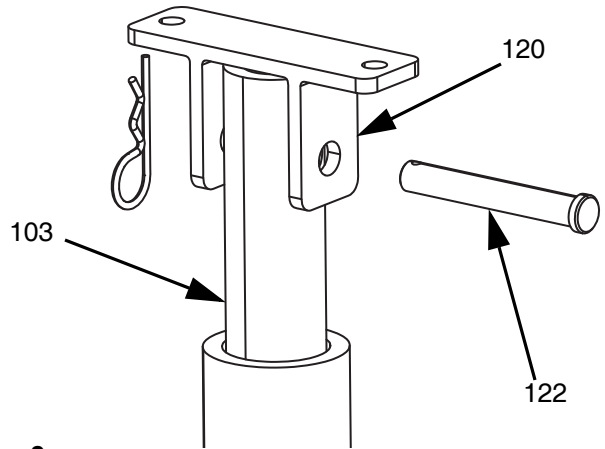


FIG. 3

3. Slide the inner support bar (103) into the outer pipe support (102).

Prepare the Uni-Drum

! WARNING				
To prevent injury from crushing or pinching, always use at least two people when lifting, moving, or disconnecting the equipment.				

4. Fully lower the ram by setting the RAM POSITION Switch (A) to LOWER. Leave switch in LOWER position.
5. Open the door on the Pneumatic Logic Panel (E).
6. Adjust the air pressure to 0 PSI for the RAM DOWN Air Regulator. Refer to the gauge on the RAM DOWN Air Regulator and R3 Regulator to verify the ram has been depressurized. See manual 309028 for instructions on how to adjust the RAM UP and RAM DOWN Air Regulators.
7. Slowly open the drain cock located on the bottom of the air cylinders (D).

8. After the air pressure has been relieved, remove the Ram Down air line (G) running from the top of the Pneumatic Logic Panel to the ram cross bar.
9. Close the Main Air Inlet on the header (B).
10. Leave the drain cock open and the Ram Down air line (G) removed until kit installation is complete.

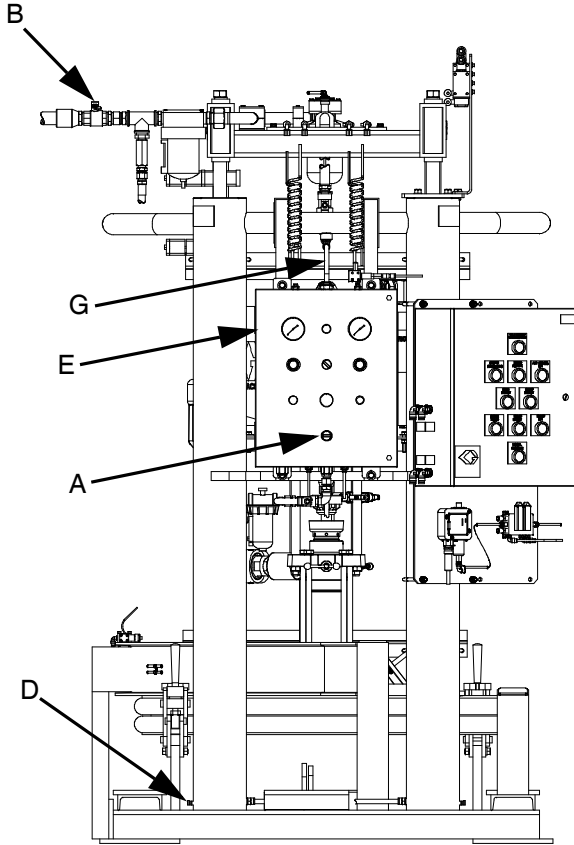


FIG. 4

Attach to the Uni-Drum

11. With the ram in the fully lowered position, install the assembly onto the back Uni-Drum cylinders using the brackets (101), bolts (108), and washers (114). Before installing both sets of nuts and washers onto the top U-bolts, slide the eyelet of the 24 inch lanyard (107) over one side of the U-bolt to capture it between the bracket (101) and the washer (114). See FIG. 8. Assemble to rest on the Uni-Drum base plate. Orient the outer support pipe approximately 45° from the back Uni-Drum cylinder centerline. Do

not fully tighten hardware. Keep loose for adjustment. Final torques to be applied in step 16.

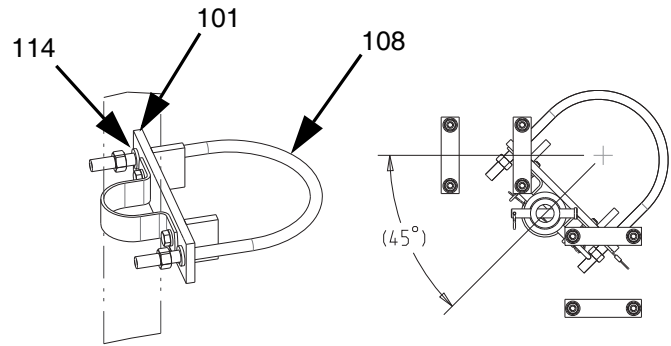


FIG. 5

12. With the ram still in the fully lowered position, install the right and left base plates (104) in their respective corners as shown in FIG. 7. Use the supplied screws (109, 110), flat washers (111), lock washers (113), nuts (117), adhesive (115), and mounting plates (118, 119).

NOTE: Installation of the mounting plates (118, 119) will require that one of the plates be installed over a bolt head welded to the upper carriage. One mounting plate (119) has a counter bore to clear this bolt head, so make sure that mounting plate (119) is located correctly before starting the installation.

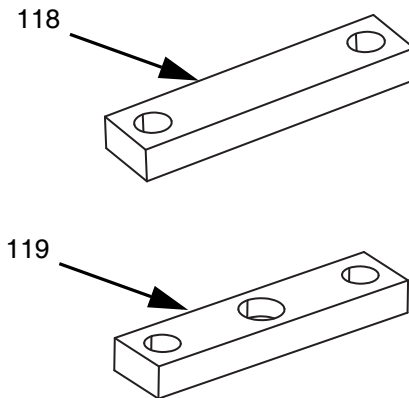


FIG. 6

NOTE: When installing the mounting plates, hand tightening the bolts is sufficient for this portion of the installation. Do not overtighten. Final torques will be applied in step 16.

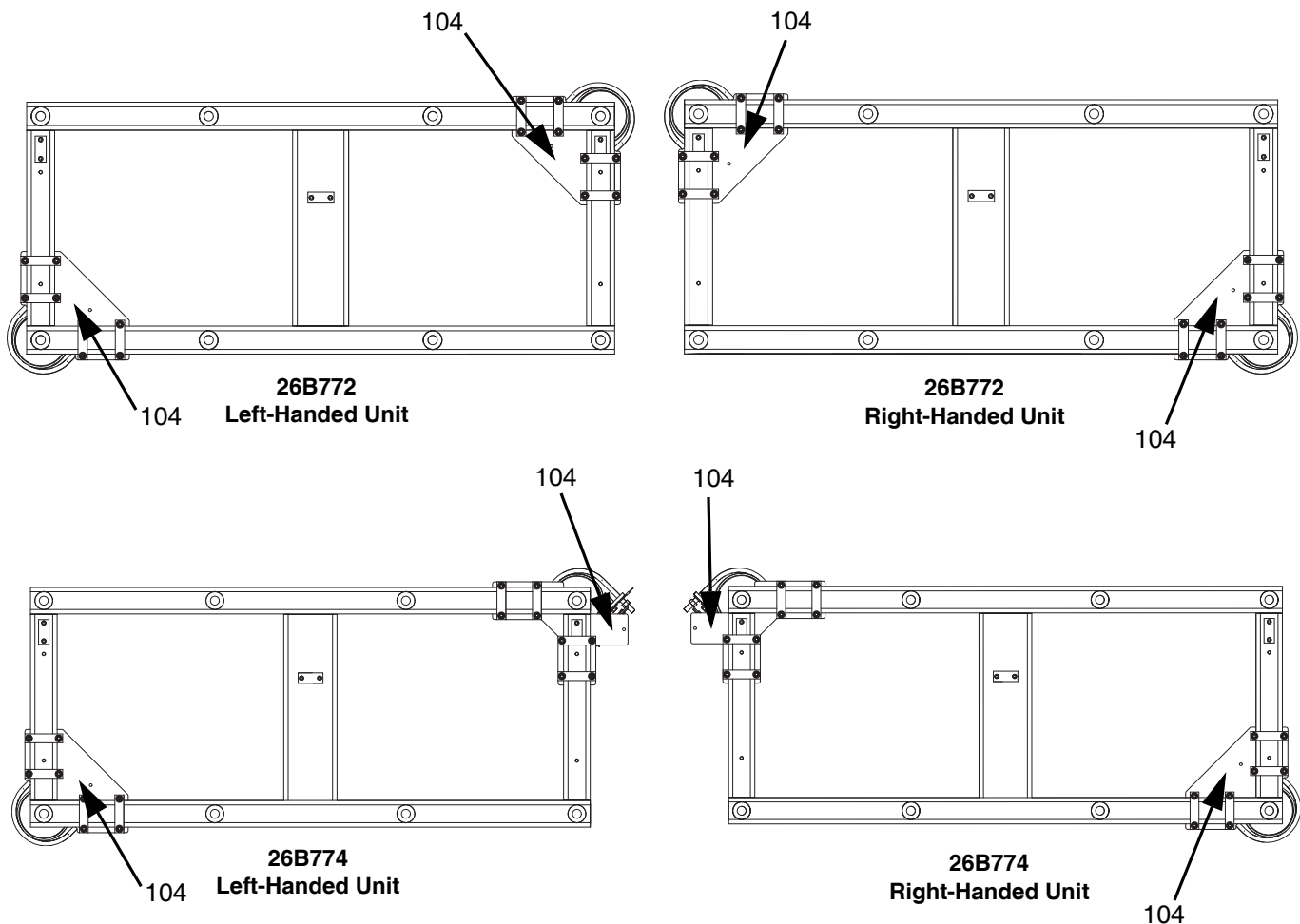


FIG. 7

13. Line up the two 3/8 in. mounting holes on the inner support bracket (120) with the threaded 3/8 in. holes on the base plates (104).
14. Apply adhesive (115) to the screws (121). Lift the inner support bar and bracket up to the base plate and install the screws (121).
15. For the best operation, the inner support bar (103) must be centered within the outer support bar (102) to prevent binding. While still hand tightened, slide the base plates (104) as necessary, and turn the outer support bar about the Uni-Drum lift cylinders until centered.
16. Tighten all nuts and bolts to 9-11 ft-lbs.
17. After Installation is complete, close the drain cocks, make all pneumatic connections and open the Main Air Inlet to header. See manual 309028 for instructions on how to adjust the RAM UP and RAM DOWN Air Regulators.
18. Verify free movement by moving the ram up and down.

NOTICE

Do not overtighten. The top nuts can potentially bend the mounting plates, and the U-bolts around the Uni-Drum lift cylinders can potentially dent or crush the lift cylinders.

Using the Two Safety Pins

1. Turn the RAM POSITION Switch (A) to RAISE, then press the RAM UP Pushbutton to move the ram to the fully raised position.
2. To lock ram in the fully raised position, move the RAM POSITION Switch to the HOLD/NEUTRAL position and insert both safety hitch pins (106) into the outer support bars (102) and install both pin lock clips.

NOTE: Locks that use 1/4 in. shackles can be used in place of the cotter pins (CP) provided with the safety hitch pins (106).

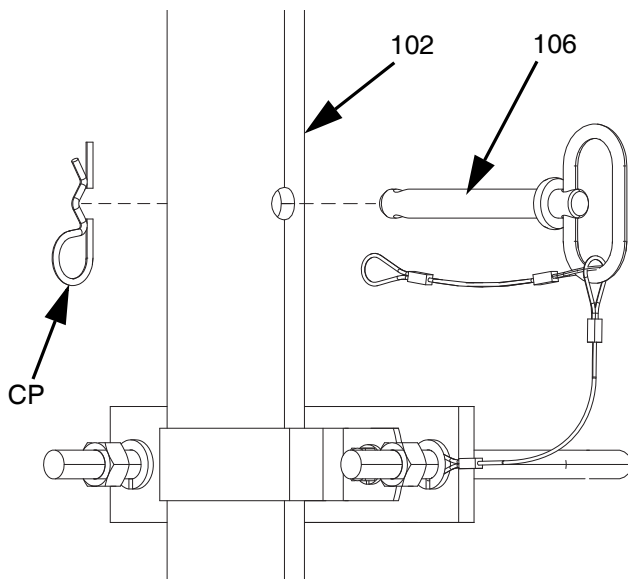


FIG. 8

3. Once both safety hitch pins (106) are secured, turn off all air to the system by closing the Main Air Shutoff Valve on the header (B) and follow your facility's pre-established lock-out/tag-out procedures. See FIG. 4.
4. To place the ram back into operation, verify the RAM POSITION Switch is still in the HOLD/NEUTRAL position, and open the Main Air Shutoff Valve on the header (B).
5. Turn the RAM POSITION Switch (A) to RAISE, then press the RAM UP Pushbutton to move the ram to the fully raised position.
6. Remove both safety hitch pins (106).

California Proposition 65

CALIFORNIA RESIDENTS

 **WARNING:** Cancer and reproductive harm – www.P65warnings.ca.gov.

*All written and visual data contained in this document reflects the latest product information available at the time of publication.
Graco reserves the right to make changes at any time without notice.*

Original instructions. This manual contains English. MM 3A8499

Graco Headquarters: Minneapolis

International Offices: Belgium, China, Japan, Korea

GRACO INC. AND SUBSIDIARIES • P.O. BOX 1441 • MINNEAPOLIS MN 55440-1441 • USA
Copyright 2021, Graco Inc. All Graco manufacturing locations are registered to ISO 9001.

www.graco.com
Revision A, April 2021