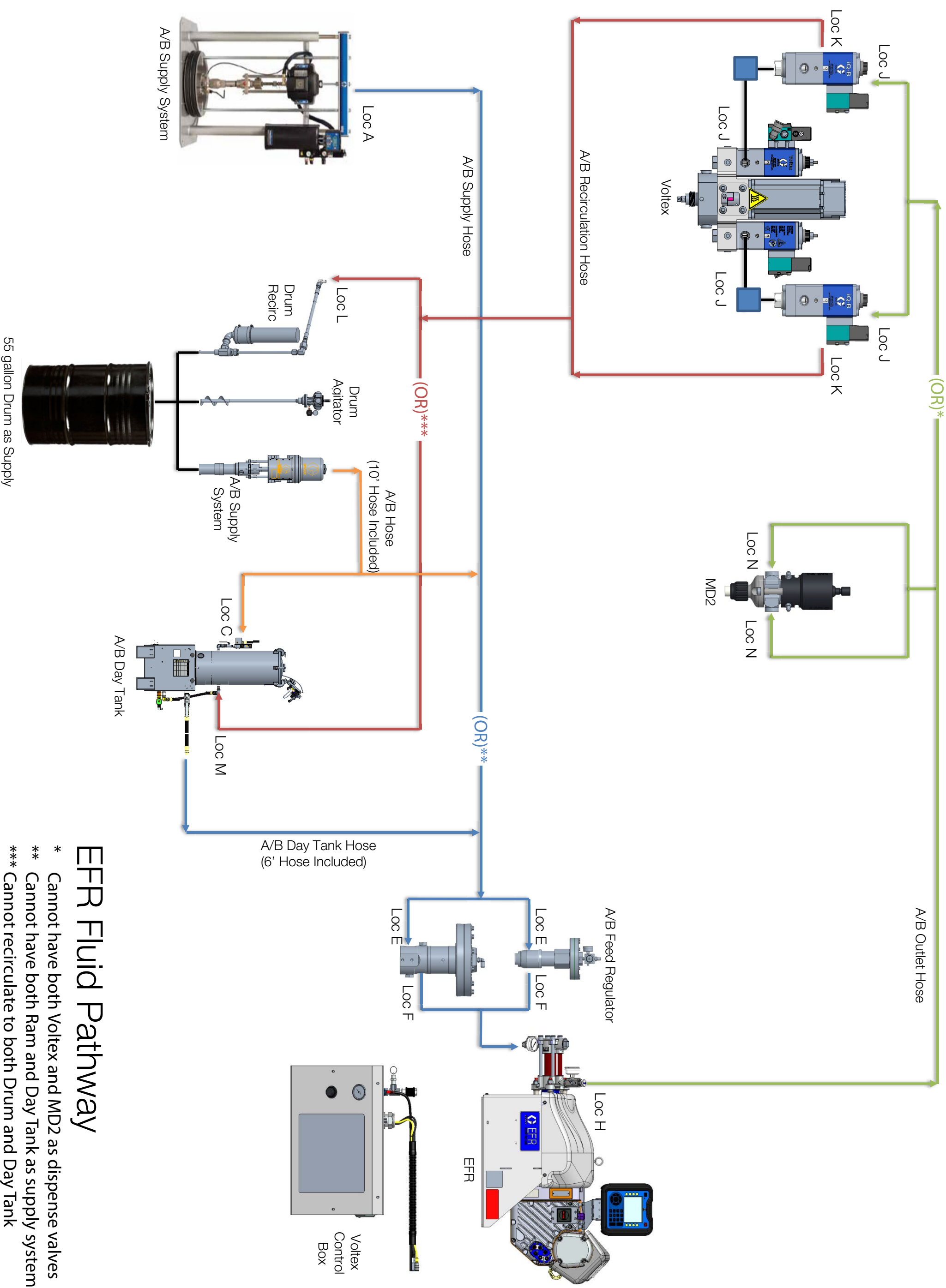


EFR Fluid Pathway Diagram



This EFR Fluid Pathway Diagram shows how an EFR could be set up. Each location marked on the diagram corresponds to a package of fittings received with the shipment. Each package of fittings will contain up to three fittings which will be used to connect one component/hose to another.



EFR Fluid Pathway

- * Cannot have both Voltex and MD2 as dispense valves
- ** Cannot have both Ram and Day Tank as supply systems
- *** Cannot recirculate to both Drum and Day Tank