

Quick Socket Fitting Kit

3A8638B

IniFlex™ Color Change Manifolds

EN

For connecting standard tubing and tube connectors to an IniFlex color change stack. For professional use only.



Important Safety Instructions

For complete warnings, refer to the IniFlex Instructions-Parts manual.

Related Manuals

Manual in English	Description
3A8637	IniFlex, Instructions-Parts

Features				
IniFlex Base Number	Fitting Style		Pack Quantity	
FXF	(1 digit)		(2 digits)	
	NPT	P	Qty 1	01
	BSPP	B	Qty 10	10
	Nylon Tube*	N	Qty 20	20
	FEP Tube**	F	Qty 50	50

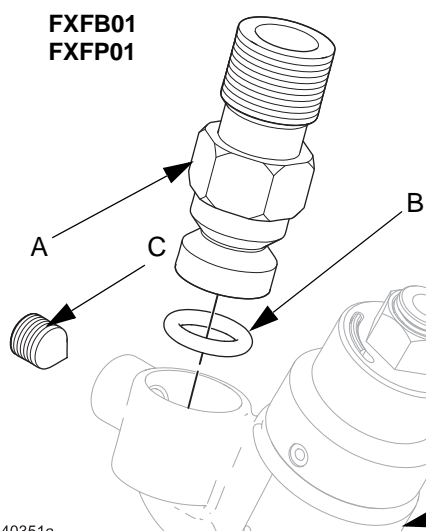
* Nylon tubing, part no. 061132

** FEP tubing, part no. 597350

IniFlex Quick Socket fitting kits provide quick and easy tube connection to Graco IniFlex color change stack fluid ports without need of special tools or disconnection of surrounding tubes.

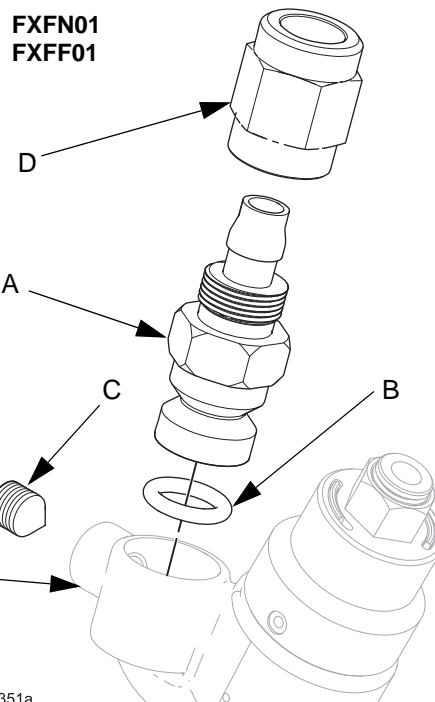
NOTE: IniFlex Quick Socket fitting kits are only intended to be used with Graco IniFlex fluid ports of low-pressure color change stacks and IniFlex Quick Socket ports.

300 psi (2.1 MPa, 21 bar) Maximum Working Pressure



- A Tube coupling
- B FX75 o-ring
- C Setscrew*
- D Tube retainer nut

*Only use the setscrew provided with the kit. Point style and hardness are integral to long-term performance of the assembly.



ti40351a

ti40351a

Assembly Instructions

Quick Socket Threaded Fittings (FXFB01 and FXFP01)

1. Attach a threaded nut (BSPP for FXFB01 or NPT for FXFP01) to the end of the fluid tube.
2. Attach the threaded nut to the tube coupling (A).
3. Lubricate the FX75 o-ring (B) and insert it in the IniFlex color change valve's fluid inlet port.
4. Insert the tube coupling (A) in the IniFlex color change valve's fluid inlet port and secure with the setscrew (C). Torque to 50 in-lb. (5.6 N•m) using a 3 mm hex torque tool.
5. Confirm the tube coupling (A) is sufficiently secure to prevent movement or rotation.

Quick Socket Tube Barb Fittings (FXFN01 and FXFF01)

1. Lubricate the FX75 o-ring (B) and insert it in the IniFlex color change valve's fluid inlet port.
2. Insert the tube coupling (A) in the IniFlex color change valve's fluid inlet port and secure with the setscrew (C). Torque to 50 in-lb. (5.6 N•m) using a 3 mm hex torque tool.
3. Slide the tube retainer nut (D) onto the end of the fluid tube.
4. Slide the end of the fluid tube over the barb of the tube coupling (A) and secure by tightening the tube retainer nut (D) on the tube coupling (A).
5. Confirm the tube coupling (A) is sufficiently secure to prevent movement or rotation.

Wetted Parts Construction

316 SST and FX75 (chemically-resistant fluorocarbon).

Graco Information

For the latest information about Graco products, visit www.graco.com.

For patent information, see www.graco.com/patents.

TO PLACE AN ORDER, contact your Graco distributor or call to identify the nearest distributor.

Phone: 612-623-6921 **or Toll Free:** 1-800-328-0211 **Fax:** 612-378-3505

All written and visual data contained in this document reflects the latest product information available at the time of publication. Graco reserves the right to make changes at any time without notice.

Original instructions. This manual contains English. MM 3A8638

Graco Headquarters: Minneapolis

International Offices: Belgium, China, Japan, Korea

GRACO INC. AND SUBSIDIARIES • P.O. BOX 1441 • MINNEAPOLIS MN 55440-1441 • USA

Copyright 2021, Graco Inc. All Graco manufacturing locations are registered to ISO 9001.

www.graco.com

Revision B, September 2021