

Fluid Section Repair Kit

406293F

Plastic Husky® 1590 Diaphragm Pumps

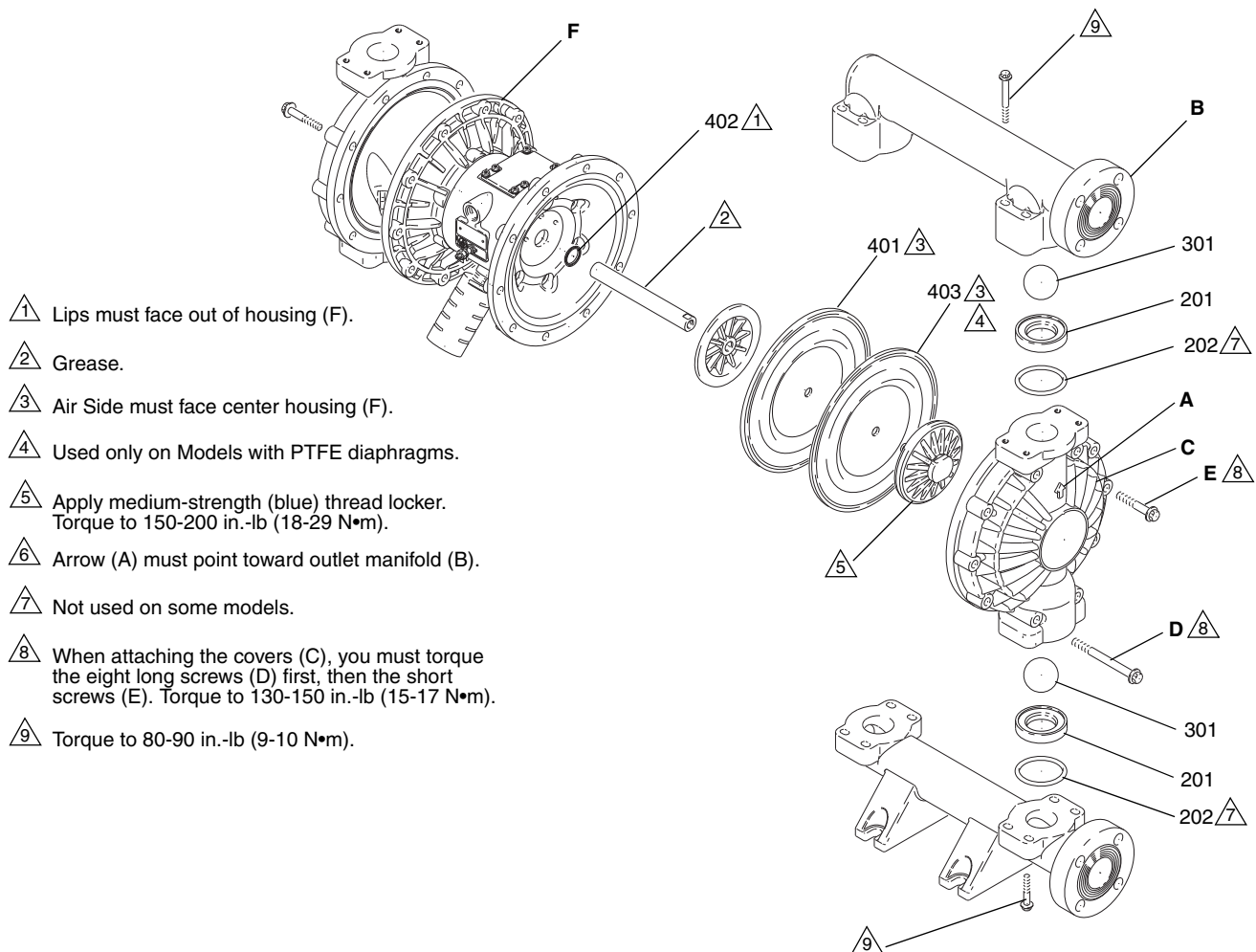
EN



Important Safety Instructions

Read all warnings and instructions in the Husky® 1590 Air-Operated Diaphragm Pump Repair/Parts manual. Save all instructions.

NOTE: Reference numbers refer to the parts list in manual 308549.



- 1 Lips must face out of housing (F).
- 2 Grease.
- 3 Air Side must face center housing (F).
- 4 Used only on Models with PTFE diaphragms.
- 5 Apply medium-strength (blue) thread locker. Torque to 150-200 in.-lb (18-29 N•m).
- 6 Arrow (A) must point toward outlet manifold (B).
- 7 Not used on some models.
- 8 When attaching the covers (C), you must torque the eight long screws (D) first, then the short screws (E). Torque to 130-150 in.-lb (15-17 N•m).
- 9 Torque to 80-90 in.-lb (9-10 N•m).