

GENUINE GRACO PARTS AND ACCESSORIES

# Fluid Section Service Kit D010XX



For Husky™ 205 Air-Operated Diaphragm Pumps

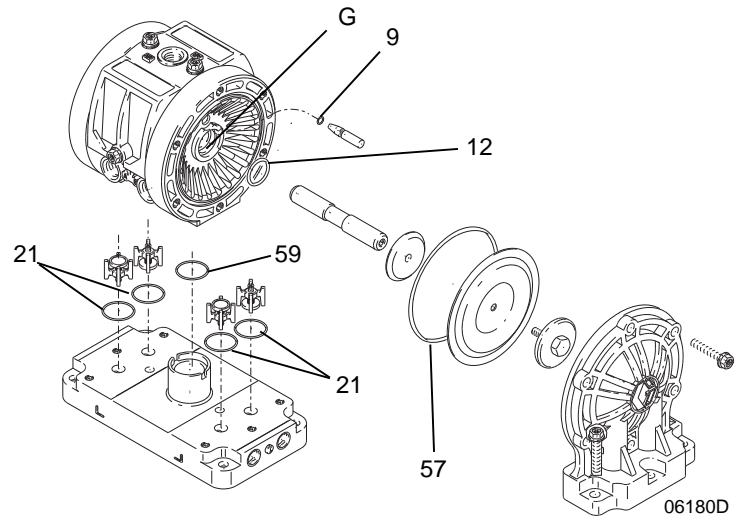
406354F



### Important Safety Instructions

Read all warnings and instructions in manual 308652. Save those instructions.

Ref.	Part No.	Description	Qty.
9	113565	PACKING, o-ring	2
12◆	114710	PACKING, o-ring	2
21†•	113566	PACKING, o-ring, thin cross section	4
	578001	PACKING, o-ring, thick cross section	
57*	113570	PACKING, o-ring, thin cross section	2
	104445	PACKING, o-ring, thick cross section	
59‡	115055	PACKING, square ring	1
	111137	PACKING, o-ring	



† Use 113566 for series A to E pumps. Use 578001 for series F, G, and H pumps.

\* Use 113570 for Acetal and PVDF pumps series A to E, and Polypropylene pumps series A to H. Use 104445 for Acetal and PVDF pumps series F and later, and Polypropylene pumps series J and later.

‡ If a square ring packing was originally supplied with the pump, use 115055. Otherwise, use o-ring 111137.

◆ Ensure properly seated in groove G.

• Ensure properly seated in grooves.

Discard the unused packing.

Graco Inc. P.O. Box 1441 Minneapolis, MN 55440-1441

406354 Rev. F, July 2021

Copyright 1996, Graco Inc. is registered to I.S. EN ISO 9001