

Dispense Valve Seat Kits

406717B

For ProMix[®] 2KS Proportioners

EN



Important Safety Instructions

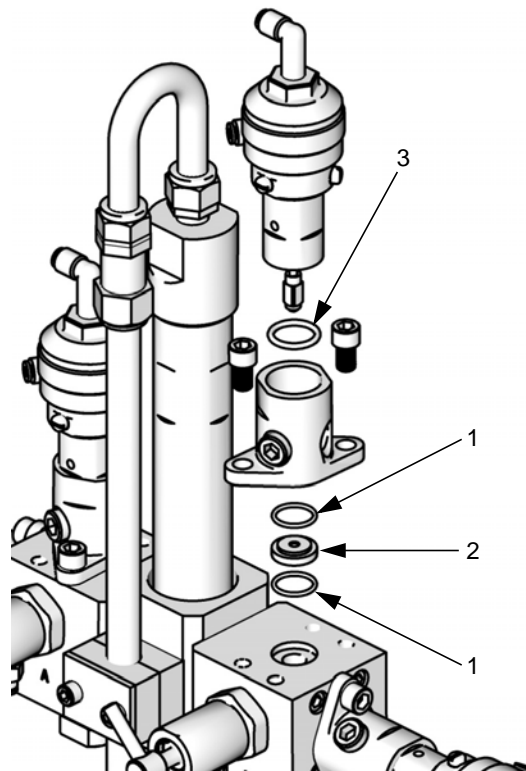
Read all warnings and instructions in manual 312781. Save those instructions.

24A861 Stainless Steel

Ref.	Description	Qty.
1	O-RING, dispense valve seat	2
2	SEAT, stainless steel	1
3	O-RING, dispense valve	1

26A169 Peek

Ref.	Description	Qty.
1	O-RING, dispense valve seat	2
2	SEAT, peek	1
3	O-RING, dispense valve	1



T113267a

Graco Inc. P.O. Box 1441 Minneapolis, MN 55440-1441

Original instructions. This manual contains English. MM 406717

Copyright 2010, Graco Inc. is registered to ISO 9001

Revision B, October 2016