

GENUINE GRACO PARTS AND ACCESSORIES



15V737 TSL Cup Kit

Fill with Graco Throat Seal Liquid, to Lubricate U-Cup
on Air Actuated Dispense Valves

406718A



Important Safety Instructions

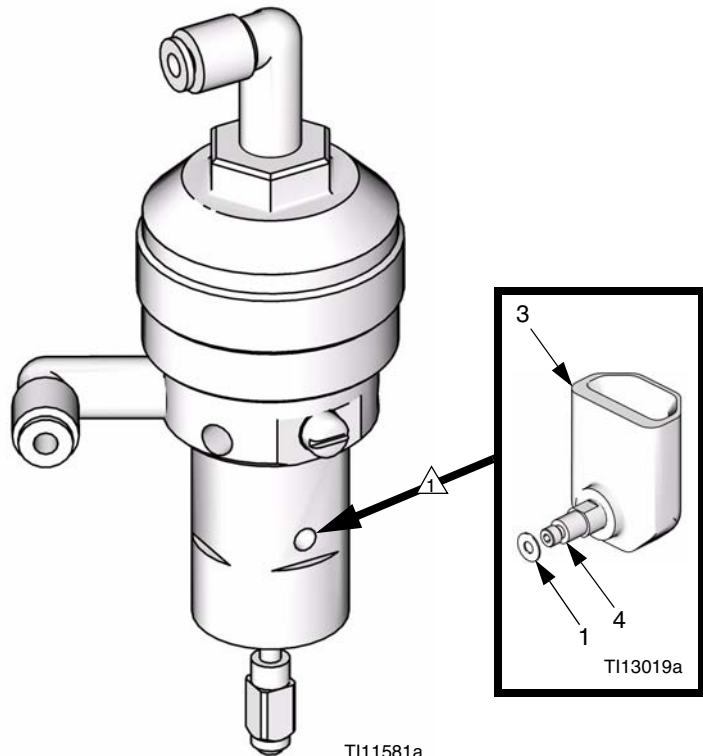
Read all warnings and instructions in manual 312782. Save those instructions.

High Pressure Valve Shown

Ref.	Description	Qty.
1	GASKET	2
2	PLUG, screw; 10-32	1
3	CUP, lubrication	1
4	NIPPLE; 10-32 x 1/16 npt	1

⚠️ Install nipple (4), gasket (1), and cup (3) in one 10-32 port of the valve's fluid body.

⚠️ Install gasket (1) and plug (2) in the 10-32 port on the opposite side of the valve's fluid body.



Graco Inc. P.O. Box 1441 Minneapolis, MN 55440-1441

406718 Rev, A 12/2008

Copyright 2008, Graco Inc. is registered to I.S. EN ISO 9001