

GENUINE GRACO PARTS AND ACCESSORIES



Hose Inlet Kit

406741B

Part No.; 218549, 218550, 224417

EN

Part No: 218549

Maximum Working Pressure: 2000 psi (13.8 MPa, 138 bar)

Part No: 218550

Maximum Working Pressure: 4000 psi (27.6 MPa, 276 bar)

Part No: 224417

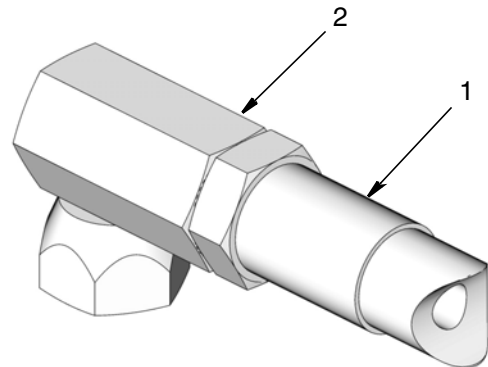
Maximum Working Pressure: 5000 psi (34.5 MPa, 345 bar)



Important Safety Instructions

Read all warnings and instructions in manual 313431. Save those instructions.

Ref.	Description	Qty.
1	HOSE, 1/2" ID, 1/2 npt (mbe); 24" (6.09 mm) long (model 218549)	1
	HOSE, fluid, 3/8" ID, 3/8 npt (mbe); 24" (6.09 mm) long (model 218550)	
	HOSE, fluid, 1/4" ID, 3/8 npt (mbe); 24" (6.09 mm) long (model 224417)	
2	Union, swivel 90°, 1/2 npt x 1/2 npsm (fbe) (model 218549)	1
	Union, swivel 90°, 3/8 npt x 3/8 npsm (fbe) (model 218550, 244117)	



ti13004a

Graco Inc. P.O. Box 1441 Minneapolis, MN 55440-1441

406741 Rev, A 3/2009, revised November 2013

Copyright 2009, Graco Inc. is registered to ISO 9001

