



Check Ball Kit

406847C

Merkur™ Bellows Pumps

EN



Important Safety Instructions

Read all warnings and instructions in manuals 312793 and 312795. Save all instructions.

See reverse for parts illustration and assembly notes.

TIP: Some o-rings are close in size. Stack on bench to differentiate.

For LB050x (50cc) Pumps

For LB100x (100cc) or LB150x (150cc) Pumps

Kit 24A661

Standard Kit: 440 Stainless Steel Balls

Kit 24A662

Standard Kit: 440 Stainless Steel Balls

Kit 24T257

Optional Kit: 316 Stainless Steel Balls
(Use for high corrosive applications.)

Kit 24T258

Optional Kit: 316 Stainless Steel Balls
(Use for high corrosive applications.)

Ref	Description	Qty
101	CHECK BALL, inlet, 3/8 in. (10 mm) Kit 24A661 - 440 SST Kit 24T257 - 316 SST	1
102	SPRING, ball stop	1
103	CHECK BALL, outlet, 3/8 in. (10 mm) Kit 24A661 - 440 SST Kit 24T257 - 316 SST	1
104	O-RING, foot cap; 1.8 in (46 mm) OD	1
105	O-RING, piston: 0.56 in. (14 mm) OD	2
106	O-RING, packing nut, top; 1.9 in. (48 mm) OD	1
107	O-RING, packing nut, bottom; 1.6 in. (41 mm)	1
108	O-RING, bellows chamber; 2.5 in. (64 mm) OD	1

Ref.	Description	Qty.
101	CHECK BALL, inlet, 3/4 in. (19 mm) Kit 24A662 - 440 SST Kit 24T258 - 316 SST	1
102	SPRING, ball stop	1
103	CHECK BALL, outlet, 9/16 in. (14 mm) Kit 24A662 - 440 SST Kit 24T258 - 316 SST	1
104*	O-RING, foot cap LB100x (100cc): 2.4 in. (61 mm) OD LB150x (150cc): 2.7 in. (69 mm) OD	1 1
105	O-RING, piston; 0.85 in. (22 mm) OD	2
106	O-RING, packing nut, top; 1.9 in. (48 mm) OD	1
107*	O-RING, packing nut, bottom LB100x (100cc): 2 in. (51 mm) OD LB150x (150cc): 2.3 in. (58 mm) OD	1 1
108	O-RING, bellows chamber; 2.5 in. (64 mm) OD	1

* Differentiate by size to be sure you use the correct o-rings for your pump model.

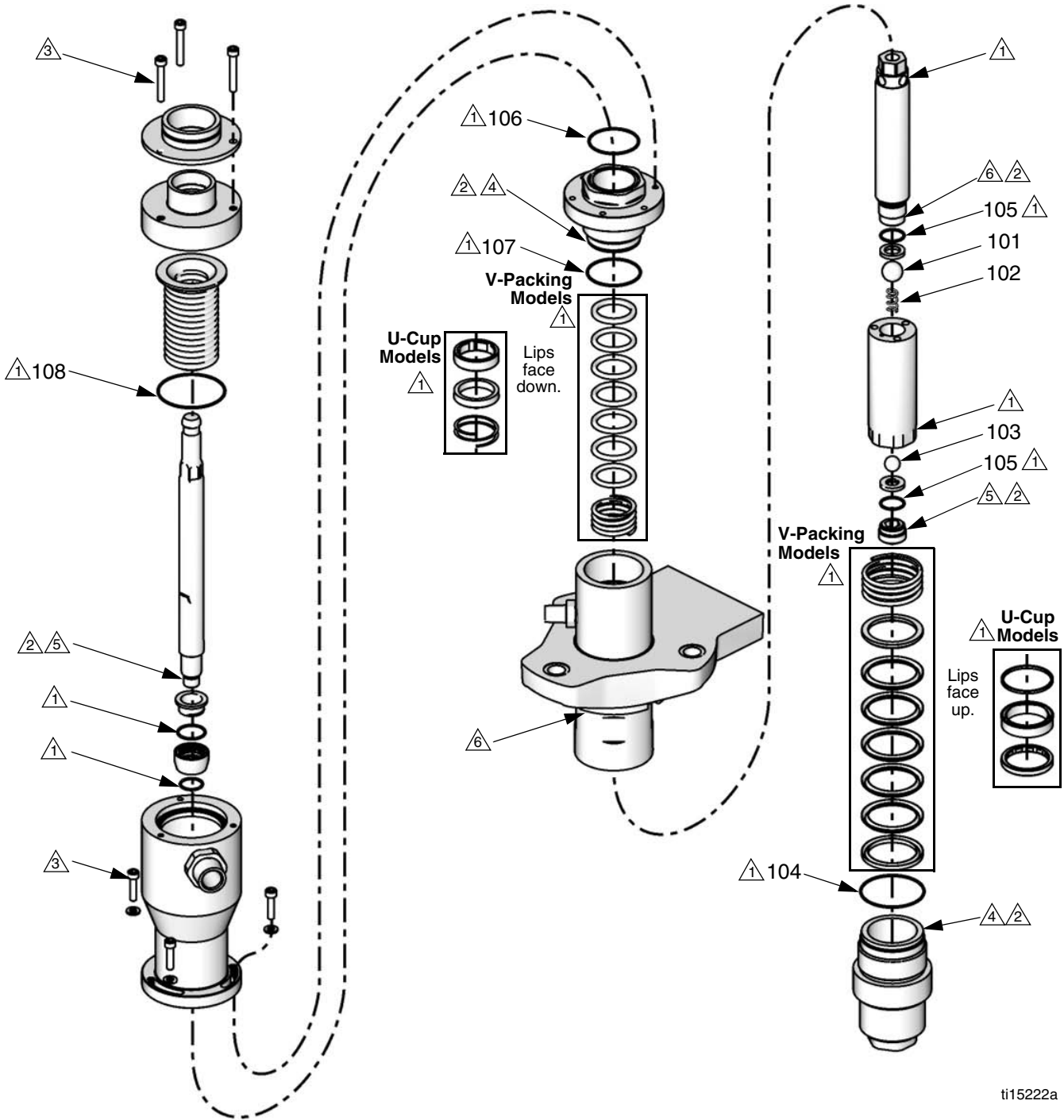
Graco Inc. P.O. Box 1441 Minneapolis, MN 55440-1441

Original instructions. MM 406847

Copyright 2010, Graco Inc. is registered to ISO 9001

Revision C - May 2013

NOTE: Full disassembly shown. Disassemble only as far as needed for the parts being replaced.



ti15222a

- △1 Apply grease.
- △2 Apply thread lubricant.
- △3 Torque to 100-120 in-lb (11-14 N•m).
- △4 Torque to 54-66 ft-lb (73-89 N•m).

- △5 Torque to 74-86 ft-lb (100-117 N•m).
- △6 Torque to 91-109 ft-lb (123-148 N•m).