

Heater Adapter Kit, 262450

406861C

EN

For connecting a Viscon™ HP or Viscon™ HF heater to the A or B side of an XP plural-component sprayer.



Important Safety Instructions

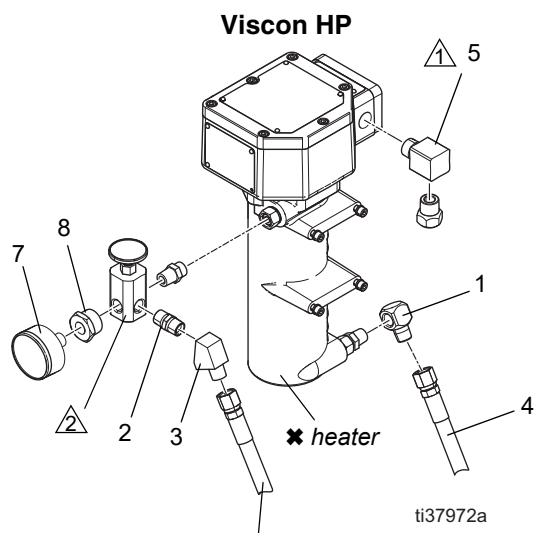
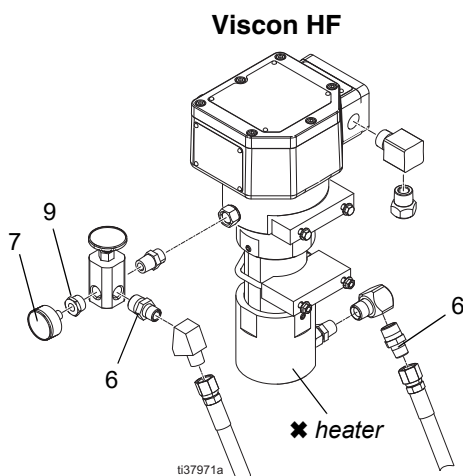
Read all warnings and instructions in the XP sprayer manual 3A0420. Save all instructions.

| Ref. | Part | Description | Qty. |
|------|--------|---|------|
| 1 | 158683 | FITTING, elbow, 90°, 1/2 m x 1/2 f npt | 1 |
| 2 | 158491 | FITTING, nipple, 1/2 in. npt | 1 |
| 3 | 15M987 | FITTING, elbow, 60°, 1/2 m x 1/2 f npt | 1 |
| 4 | H75004 | HOSE, coupled, 7250 psi; 1/2 in. ID; 4 ft (1.2 m) | 1 |
| 5 | 166590 | FITTING, elbow, street, 3/4 | 1 |
| 6 | 16R883 | FITTING, nipple, reducing, 3/4 x 1/2 | 2 |
| 7 | 558298 | GAUGE, 10,000 psi, liquid filled | 2 |
| 8 | 100206 | BUSHING, pipe, 1/2 x 1/4 | 2 |
| 9 | C19681 | BUSHING, pipe, 3/4 x 1/4 | 2 |

✖ Order heater and heater adapter kit 262450 for each side of the XP that needs heat (purchase separately).

‡ Referenced XP Sprayer parts.

NOTE: Cart not shown.



‡fluid supply hose
3 ft (1 m)

△1 Only for electrical inlet on hazardous heaters.

△2 Rotate to a vertical position as shown.

△3 8 in. (203.2 mm) bend radius.

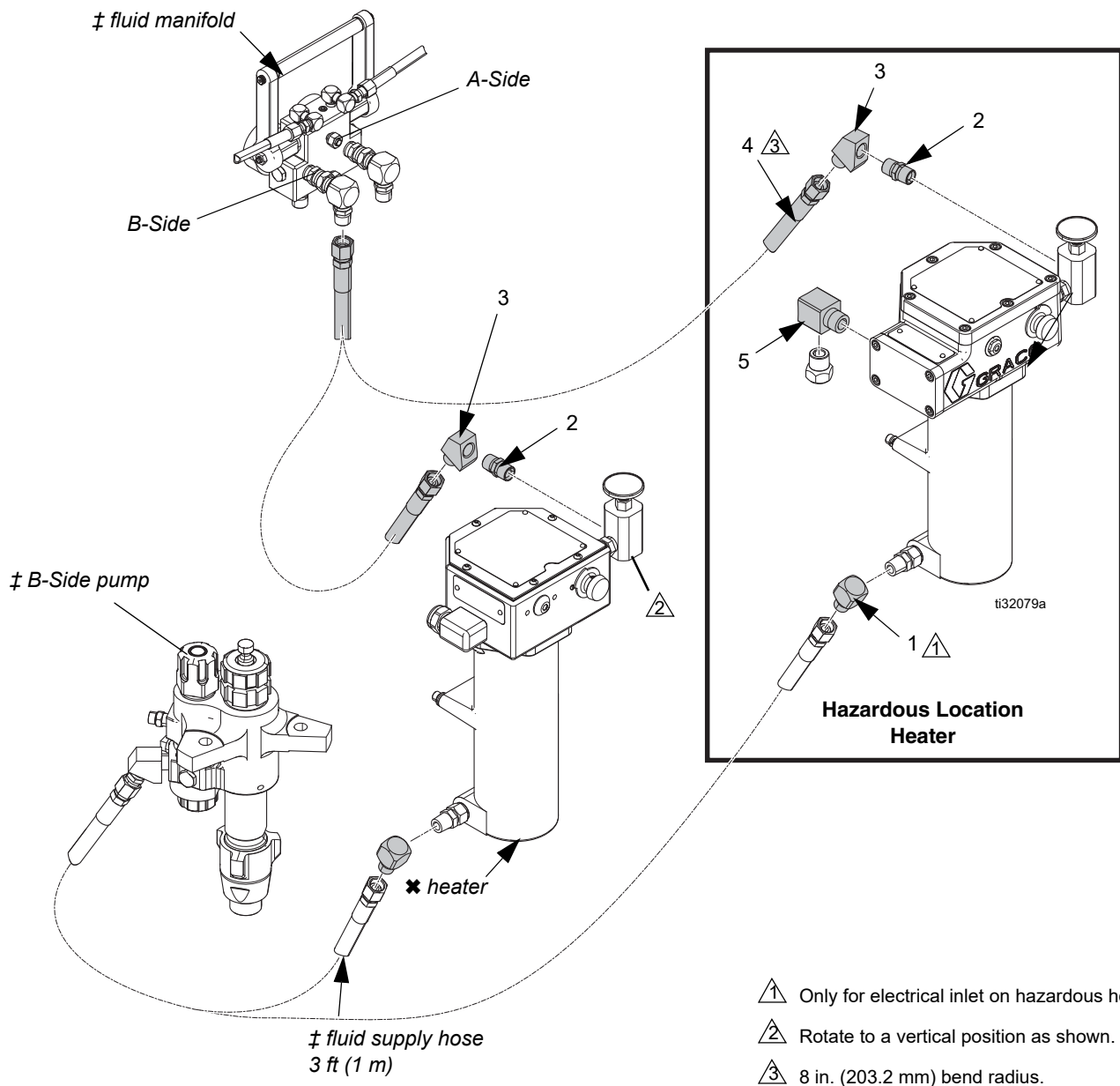
Installation

Connecting the Viscon HP Heater

1. Disconnect the existing fluid supply hose from the back of the fluid manifold.
2. Connect the elbow fitting (1) and the end of the fluid supply hose to the bottom inlet on the heater.
3. Remove the plug from the heater outlet manifold and connect the nipple (2), elbow fitting (3), and

hose (4) to the heater manifold. Install a plug in the empty heater manifold port.

4. Connect the other end of the hose (4) to the back of the fluid gauge manifold.
5. For only hazardous location heater, install conduit elbow (5) to wiring connection.
6. See **Heater Hose Routing Guide** (on page 4) to properly route the hose.



Connecting Viscon HF Heater

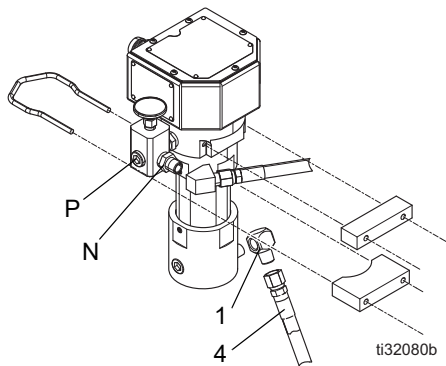
NOTE: Viscon HF heaters are only available in 240 V, 1 phase, 50/60 Hz power.

NOTE: Viscon HF heaters that are already configured with the fittings in the right position are:

- 25C961 Non-hazardous location Viscon HF heater
- 25C962 Hazardous location Viscon HF heater

Connecting 24P016 Non-Hazardous Location Heater to XP Sprayers

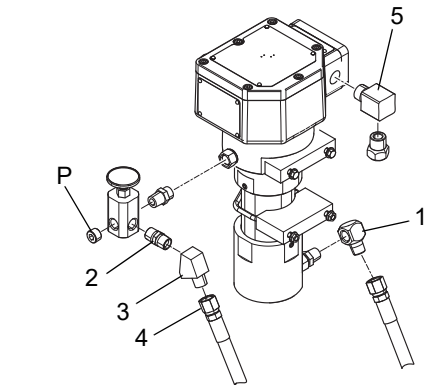
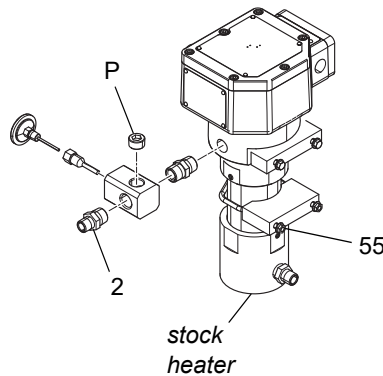
1. Disconnect the existing fluid supply hose from the back of the gauge manifold and connect to the bottom heater inlet fitting.
2. Swap the plug (P) and nipple (N) positions on the heater outlet manifold. Connect the elbow fitting (1) and hose (4) to the heater inlet.
3. Connect the other end of the hose (4) to the back of the fluid manifold.
4. See **Heater Hose Routing Guide** (on page 4) to properly route the hose.



Non-Hazardous Location Heater

Connecting 24W248 Hazardous Location Heater to XP Sprayers

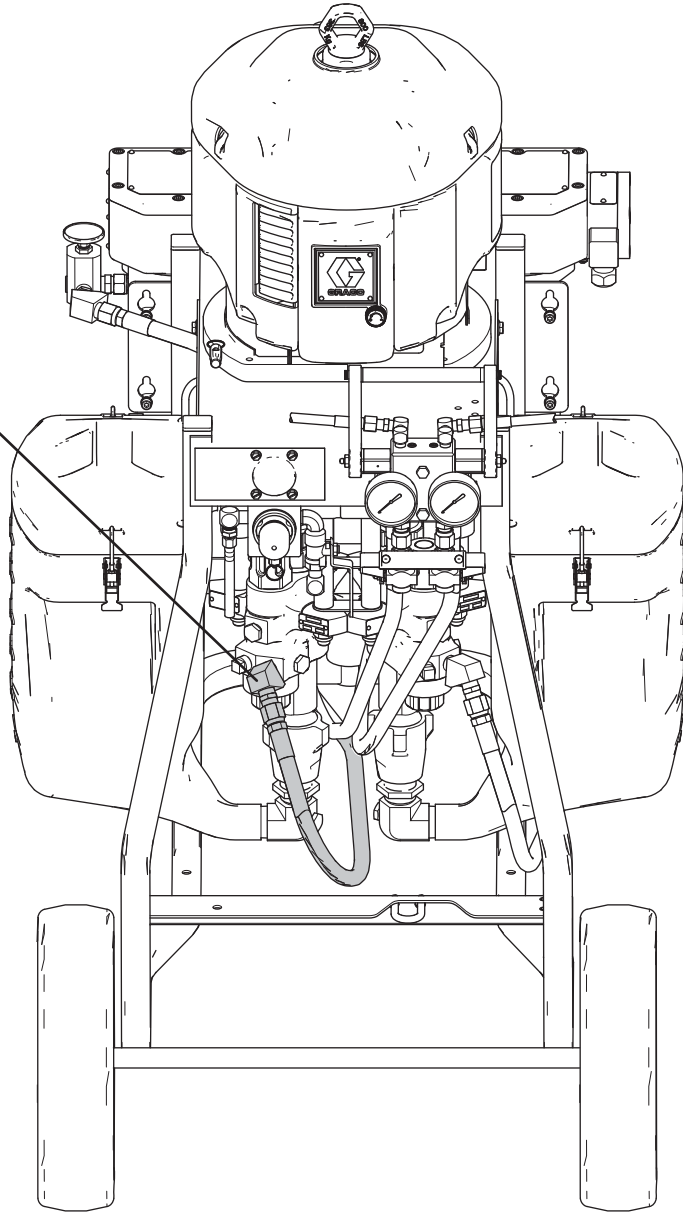
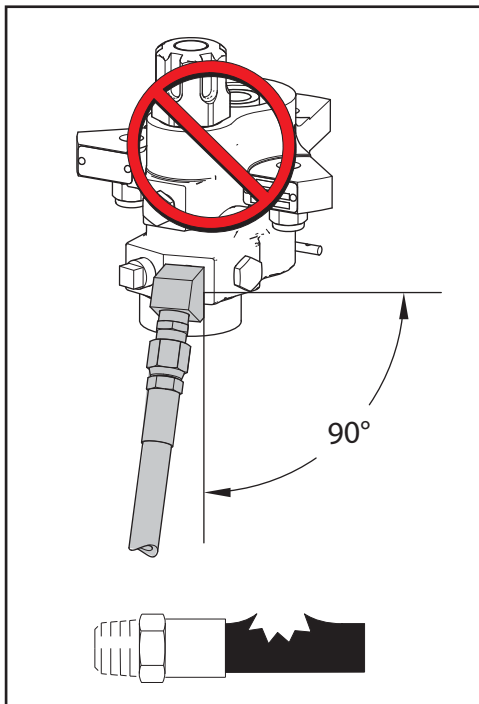
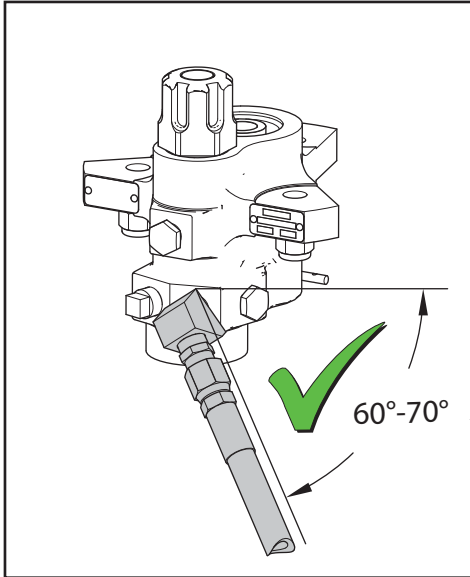
1. Loosen set screws (55) and rotate the inlet housing clockwise to the position shown below.
2. Disconnect the existing fluid supply hose from the back of the fluid manifold.
3. Connect the elbow fitting (1) and the end of the fluid supply hose to the bottom heater inlet.
4. Rotate the heater outlet manifold to a vertical position on the heater.
5. Swap the plug (P) and nipple (2) positions on the heater outlet manifold. Connect the nipple (2), elbow fitting (3) and hose (4) to the heater manifold.
6. Connect the other end of the hose (4) to the back of the fluid manifold.
7. Install conduit elbow (5) to wiring connection.
8. See **Heater Hose Routing Guide** (on page 4) to properly route hose.



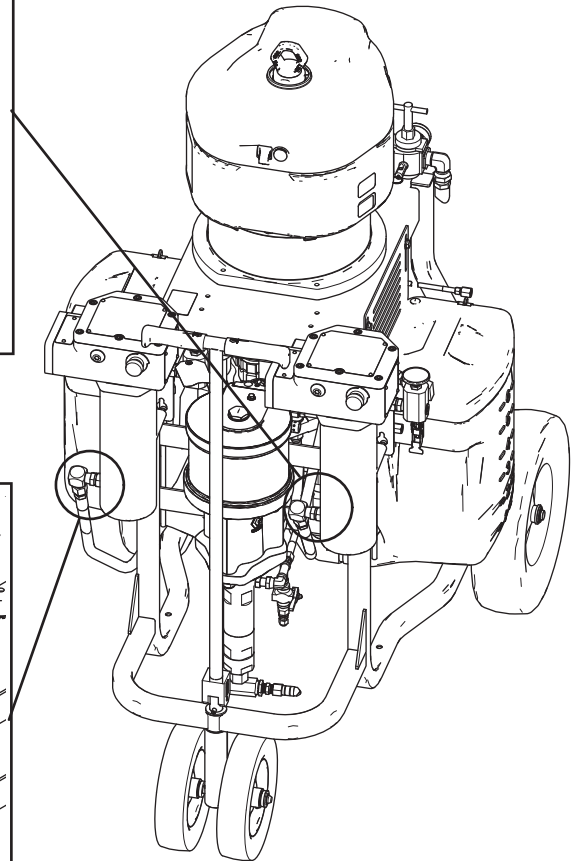
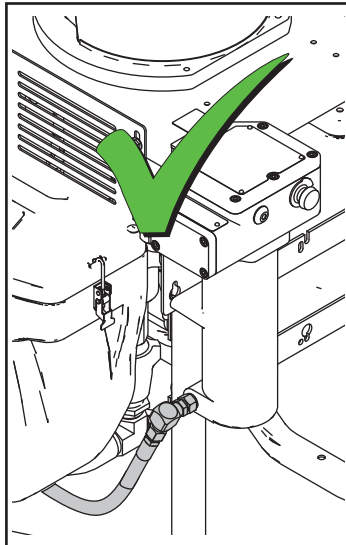
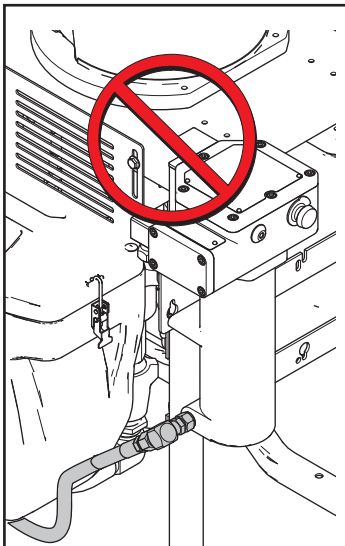
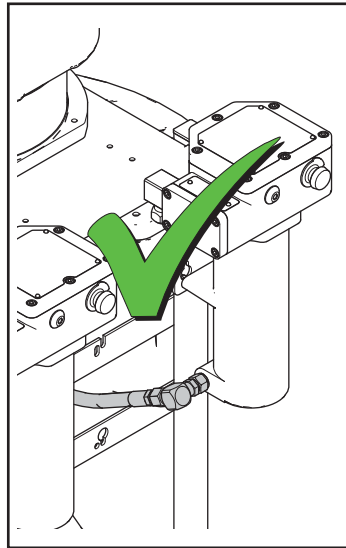
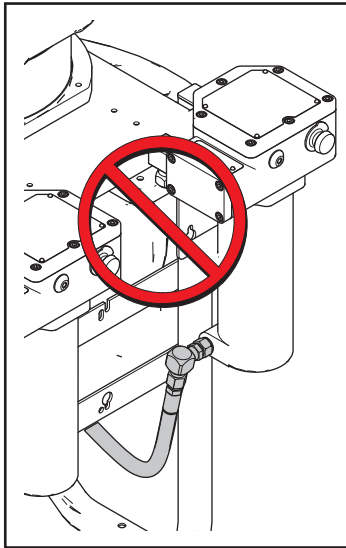
Hazardous Location Heater

Heater Hose Routing Guide

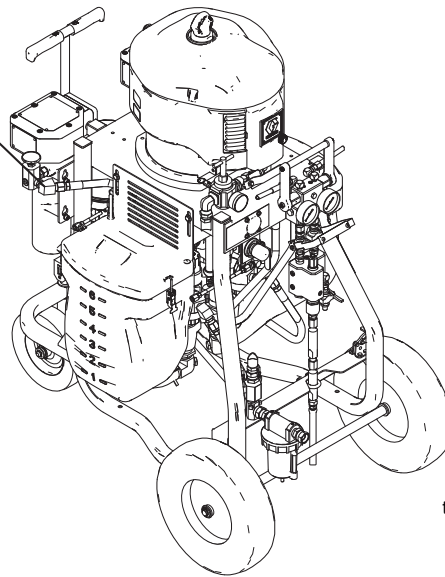
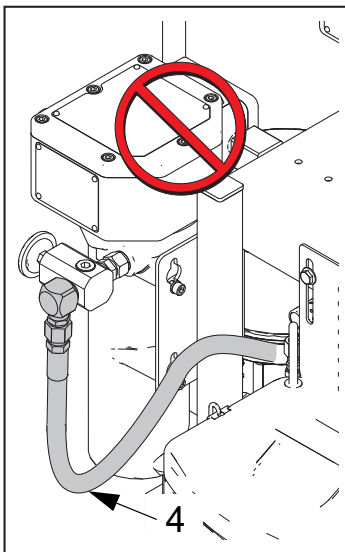
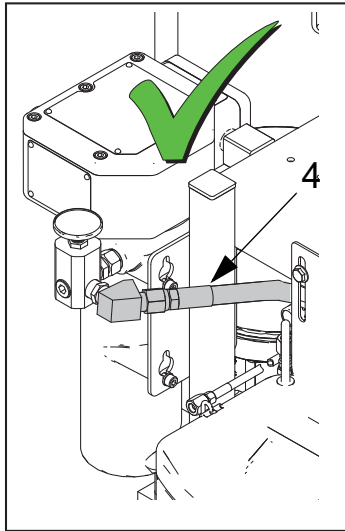
Route heater hoses as shown to prevent strain on hose couplings.



ti17250a



ti17251a



ti17252a

Graco Information

For the latest information about Graco products, visit www.graco.com.

TO PLACE AN ORDER, contact your Graco distributor or call to identify the nearest distributor.

Phone: 612-623-6921 **or Toll Free:** 1-800-328-0211 **Fax:** 612-378-3505

All written and visual data contained in this document reflects the latest product information available at the time of publication. Graco reserves the right to make changes at any time without notice.

Original instructions. This manual contains English. MM 406861

Graco Headquarters: Minneapolis
International Offices: Belgium, China, Japan, Korea

GRACO INC. P.O. BOX 1441 MINNEAPOLIS, MN 55440-1441

Copyright 2010, Graco Inc. is registered to ISO 9001

www.graco.com

Revision C - March 2020