

Dokumentation

***L-Steckverschraubungen, lang,
Standard
- Typ IQSLL ... -***



1. Inhalt

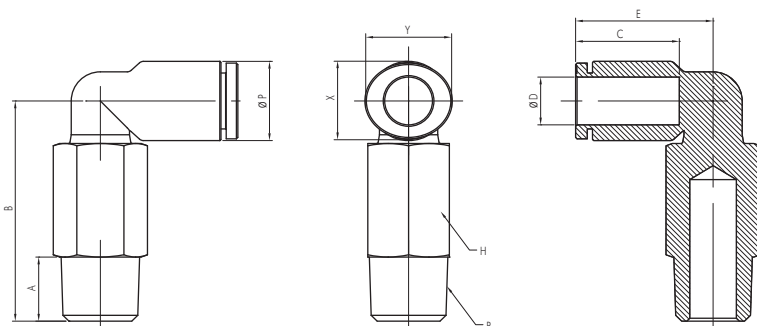
2. Artikelnummern und technische Daten	1
3. Abmessungen	1

2. Artikelnummern und technische Daten

L-Steckverschraubungen, lang			Standard					
Typ	R	D	Typ	R	D	Typ	R	D
IQSLL 184	R 1/8"	4	IQSLL 148	R 1/4"	8	IQSLL 3812	R 3/8"	12
IQSLL 186	R 1/8"	6	IQSLL 1410	R 1/4"	10	IQSLL 3814	NEU R 3/8"	14
IQSLL 188	R 1/8"	8	IQSLL 1412	R 1/4"	12	IQSLL 1210	R 1/2"	10
IQSLL 1810	R 1/8"	10	IQSLL 386	R 3/8"	6	IQSLL 1212	R 1/2"	12
IQSLL 144	R 1/4"	4	IQSLL 388	R 3/8"	8	IQSLL 1214	NEU R 1/2"	14
IQSLL 146	R 1/4"	6	IQSLL 3810	R 3/8"	10	IQSLL 1216	R 1/2"	16



3. Abmessungen



Typ	Ø D	R	Ø P	A	B	C	E	H	X	Y
IQSLL 184	4	R 1/8"	9	8	30,3	14,5	17,1	10	8,6	10,8
IQSLL 186	6	R 1/8"	11,2	8	31,4	15,5	18,0	10	11,0	13,0
IQSLL 188	8	R 1/8"	13,6	8	35,3	17,8	23,6	10	13,0	15,0
IQSLL 1810	10	R 1/8"	16,3	8	44,8	19,4	25,0	17	16,0	18,5
IQSLL 144	4	R 1/4"	9	11	33,3	14,5	17,1	14	8,6	10,8
IQSLL 146	6	R 1/4"	11,2	11	34,4	15,5	18,0	14	11,0	13,0
IQSLL 148	8	R 1/4"	13,6	11	37,8	17,8	23,6	14	13,0	15,0
IQSLL 1410	10	R 1/4"	16,3	11	47,8	19,4	25,0	17	16,0	18,5
IQSLL 1412	12	R 1/4"	19,7	11	49,65	22,4	32,2	17	19,5	22,5
IQSLL 386	6	R 3/8"	11,2	12	35,4	15,5	18,0	17	11,0	13,0
IQSLL 388	8	R 3/8"	13,6	12	38,8	17,8	23,6	17	13,0	15,0
IQSLL 3810	10	R 3/8"	16,3	12	47,3	19,4	25,0	17	16,0	18,5
IQSLL 3812	12	R 3/8"	19,7	12	49,15	22,4	32,2	17	19,5	22,5
IQSLL 3814	14	R 3/8"	23,5	12	62,55	24,4	31,9	20	23,0	25,0
IQSLL 1210	10	R 1/2"	16,3	15	50,3	19,4	25,0	21	16,0	18,5
IQSLL 1212	12	R 1/2"	19,7	15	52,15	22,4	32,2	21	19,5	22,5
IQSLL 1214	14	R 1/2"	23,5	15	65,05	24,4	31,9	21	23,0	25,0
IQSLL 1216	16	R 1/2"	25,6	15	66,1	25,0	34,0	21	24,0	27,0