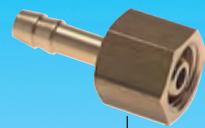


# Dokumentation

## ***Schlauchtüllen mit Überwurfmutter, PN 16/40 - Typ ST ... MS, ST ... MSV, ST ... ES -***



drehbare Überwurfmutter




drehbare Überwurfmutter

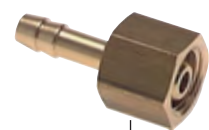
## 1. Inhalt

|  |   |
|--|---|
| 2. Artikelnummern und technische Daten | 1 |
| 3. Abmessungen                         | 2 |

## 2. Artikelnummern und technische Daten

| Schlauchtüllen mit Überwurfmutter |                             |  | bis 40 bar |                     |                  |
|-----------------------------------|-----------------------------|--|------------|---------------------|------------------|
| Typ 16 bar<br>Messing             | Typ 16 bar<br>MS vernickelt | Typ 40 bar<br>1.4571  | Gewinde    | Schlauch-Ø<br>innen | SW <sup>1)</sup> |
| ST 184 MS                         | ST 184 MSV                  | ST 184 ES  | G 1/8"     | 4                   | 12               |
| ST 186 MS                         | ST 186 MSV                  | ST 186 ES  | G 1/8"     | 6                   | 12               |
| ST 144 MS                         | ST 144 MSV                  | ST 144 ES  | G 1/4"     | 4                   | 17               |
| ST 146 MS                         | ST 146 MSV                  | ST 146 ES  | G 1/4"     | 6                   | 17               |
| ST 149 MS                         | ST 149 MSV                  | ST 149 ES  | G 1/4"     | 9                   | 17               |
| ST 384 MS                         | ST 384 MSV                  | ST 384 ES  | G 3/8"     | 4                   | 19               |
| ST 386 MS                         | ST 386 MSV                  | ST 386 ES  | G 3/8"     | 6                   | 19               |
| ST 389 MS                         | ST 389 MSV                  | ST 389 ES  | G 3/8"     | 9                   | 19               |
| ST 126 MS                         | ---                         | ST 126 ES  | G 1/2"     | 6                   | 24               |
| ST 129 MS                         | ST 129 MSV                  | ST 129 ES  | G 1/2"     | 9                   | 24               |
| ST 1213 MS                        | ST 1213 MSV                 | ST 1213 ES   | G 1/2"     | 13                  | 24               |
| ST 3413 MS                        | ---                         | ST 3413 ES   | G 3/4"     | 13                  | 30               |
| ST 3419 MS                        | ST 3419 MSV                 | ST 3419 ES   | G 3/4"     | 19                  | 30               |
| ST 1019 MS                        | ---                         | ST 1019 ES   | G 1"       | 19                  | 37               |
| ST 1025 MS                        | ---                         | ST 1025 ES   | G 1"       | 25                  | 37               |

1) Angaben gelten für Typ Messing. Für alle anderen Typen fragen Sie bitte an.



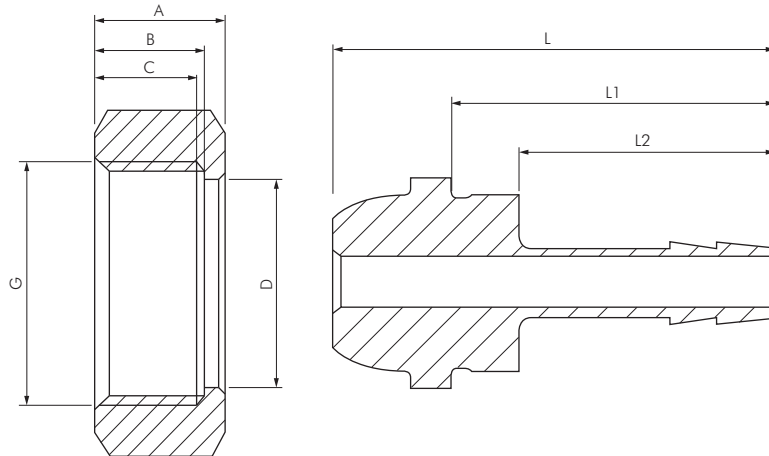
drehbare Überwurfmutter



drehbare Überwurfmutter

## 3. Abmessungen

ST ... ES



| Typ 40 bar<br>1.4571 | G      | Schlauch Ø<br>innen | A    | B    | C    | D    | L  | L1 | L2  | SW |
|----------------------|--------|---------------------|------|------|------|------|----|----|-----|----|
| ST 184 ES            | G 1/8" | 4                   | 11,0 | 9,0  | 7,0  | 7,2  | 28 | 22 | 18  | 14 |
| ST 186 ES            | G 1/8" | 6                   | 11,0 | 9,0  | 7,0  | 7,2  | 30 | 24 | 20  | 14 |
| ST 144 ES            | G 1/4" | 4                   | 15,5 | 13,0 | 10,0 | 10,1 | 30 | 22 | 17  | 17 |
| ST 146 ES            | G 1/4" | 6                   | 15,5 | 13,0 | 10,0 | 10,1 | 30 | 22 | 17  | 17 |
| ST 149 ES            | G 1/4" | 9                   | 15,5 | 13,0 | 10,0 | 10,1 | 36 | 28 | 23  | 17 |
| ST 384 ES            | G 3/8" | 4                   | 15,1 | 12,5 | 10,0 | 12,3 | 36 | 28 | 23  | 19 |
| ST 386 ES            | G 3/8" | 6                   | 15,1 | 12,5 | 10,0 | 12,3 | 36 | 27 | 22  | 19 |
| ST 389 ES            | G 3/8" | 9                   | 15,1 | 12,5 | 10,0 | 12,3 | 36 | 27 | 22  | 19 |
| ST 126 ES            | G 1/2" | 6                   | 20,0 | 16,5 | 13,0 | 15,2 | 38 | 28 | 22  | 24 |
| ST 129 ES            | G 1/2" | 9                   | 20,0 | 16,5 | 13,0 | 15,2 | 38 | 28 | 22  | 24 |
| ST 1213 ES           | G 1/2" | 13                  | 20,0 | 16,5 | 13,0 | 15,2 | 44 | 28 | 34  | 24 |
| ST 3413 ES           | G 3/4" | 13                  | 16,0 | 13,0 | 10,3 | 22,0 | 36 | 24 | 27  | 32 |
| ST 3419 ES           | G 3/4" | 19                  | 16,0 | 13,0 | 10,3 | 22,0 | 40 | 33 | --- | 32 |
| ST 1019 ES           | G 1"   | 19                  | 18,0 | 15,0 | 14,0 | 28,6 | 45 | 36 | --- | 41 |
| ST 1025 ES           | G 1"   | 25                  | 18,0 | 15,0 | 14,0 | 28,6 | 45 | 36 | --- | 41 |