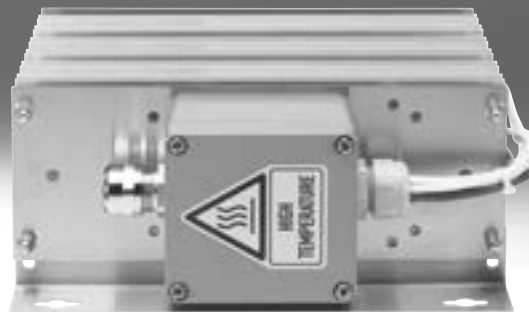


Braking resistors CACR

FESTO



Type codes

001	Series
CACR	Resistance

002	Connection technology 1
LE	Open end
KL	Terminal

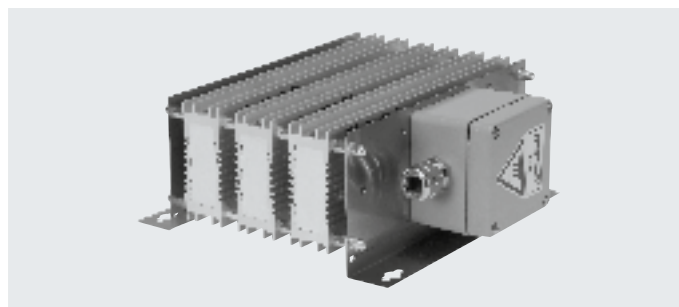
003	Number of pins/wires on the left
2	2

004	Resistance value
6	6 Ohm
33	33 Ohm
40	40 Ohm
50	50 Ohm
67	67 Ohm
72	72 Ohm
100	100 Ohm
240	240 Ohm

005	Nominal power
W60	60 Watt
W500	500 Watt
W1800	1800 Watt
W2000	2000 Watt
W2400	2400 Watt

Data sheet

Braking resistor
CACR-LE2
CACR-KL2



General technical data

Type	CACR-				
	LE2-6-W60	LE2-50-W500	LE2-72-W500	LE2-100-W500	
Output at 35% duty cycle and 20°C	[W]	180	500	500	500
Nominal power	[W]	60	200	200	200
Resistance value	[Ω]	6	50	72	100
Connection technology	Open end				
Mounting position	Vertical, horizontal		Vertical		
	Free convection				
Type of mounting	-		Via accessories		
	Via through-hole				
Product weight	[g]	140	550	550	550

Type	CACR-			
	KL2-67-W1800	KL2-40-W2000	KL2-33-W2400	
Output at 35% duty cycle and 20°C	[W]	1800	2000	3600 ¹⁾
Nominal power	[W]	720	800	1440
Resistance value	[Ω]	67	40	33
Connection technology	Terminal			
Mounting position	Vertical			
	Free convection			
Type of mounting	Via accessories			
	Via through-hole			
Product weight	[g]	4000	2400	8000

1) As per the UL and CSA approval certificates, the performance data on the rating plate is reduced to 2400 W.

Operating and environmental conditions

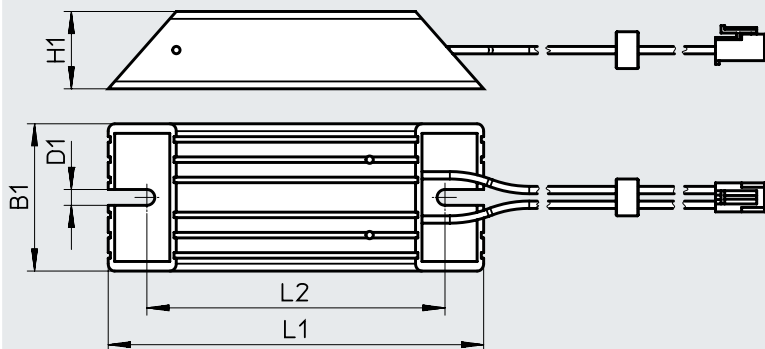
Type	CACR-	
	LE2-6-W60	LE2-.../KL2-...
Ambient temperature	[°C]	0 ... 50
Degree of protection	IP65	
Certification	c UL us - Recognized (OL)	
	-	c CSA us (OL)
Note on materials	RoHS-compliant	
	Contains paint-wetting impairment substances	

Data sheet

Dimensions

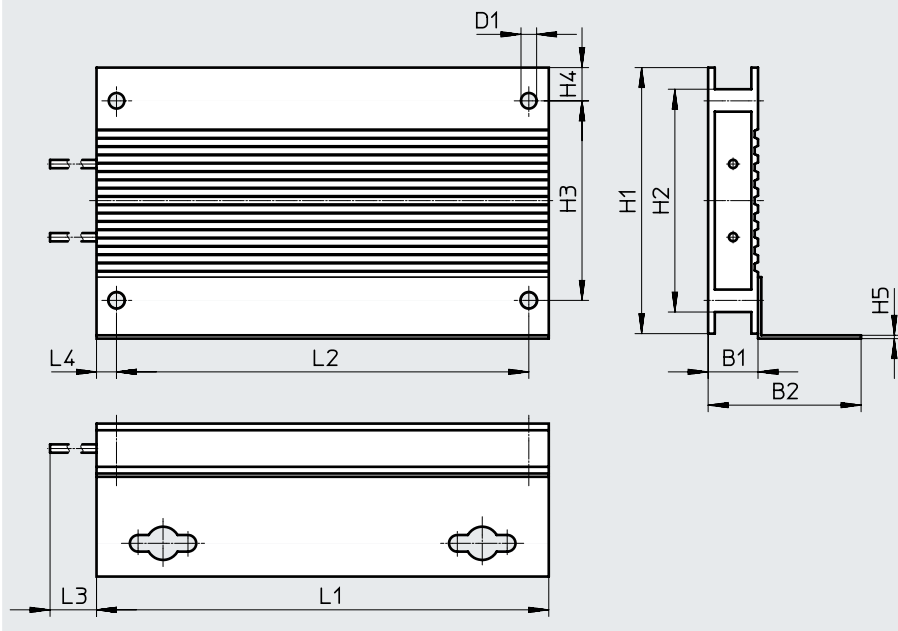
Download CAD data → www.festo.com

CACR-LE2-6-W60



Type	B1	D1	H1	L1	L2
	±1	±0.1	±1		±3
CACR-LE2-6-W60	40	4.3	21	102	81

CACR-LE2-50-W500, CACR-LE2-72-W500, CACR-LE2-100-W500



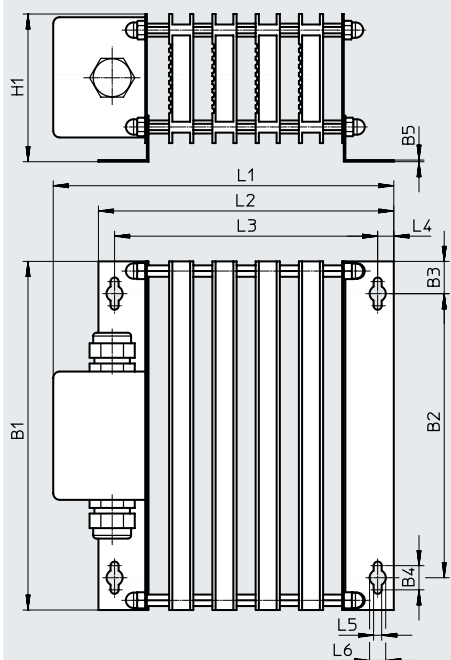
Type	B1	B2	D1 ∅	H1	H2	H3	H4	H5	L1	L2	L3	L4
	±0.5		±0.1		±0.3	±0.2				±0.2	±40	
CACR-LE2-50-W500	15	46	4.7	80	67	60	10	1	216	204	510	6
CACR-LE2-72-W500												
CACR-LE2-100-W500												

Data sheet

Dimensions

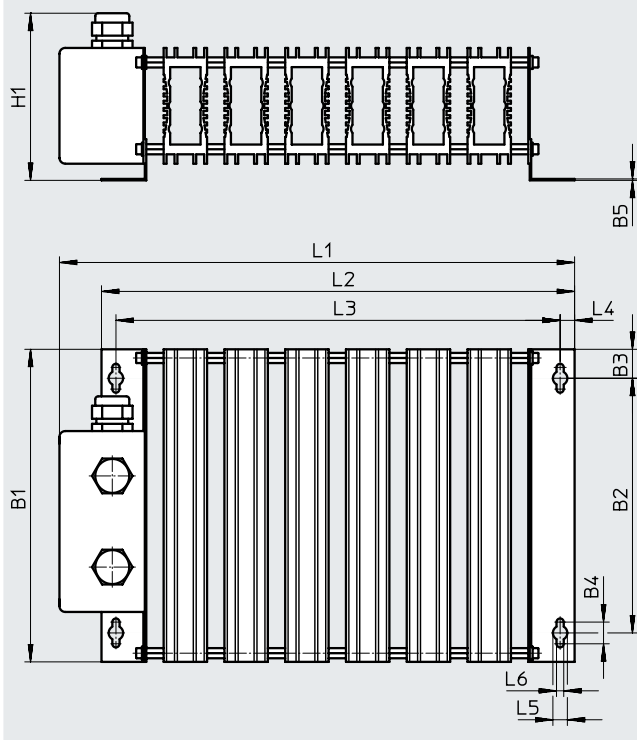
Download CAD data → www.festo.com

CACR-KL2-67-W1800, CACR-KL2-40-W2000



Type	B1	B2	B3	B4	B5	H1	L1	L2	L3	L4	L5	L6
CACR-KL2-67-W1800	216	176	20	15	1	91.5	230	201	181	10	10	5
CACR-KL2-40-W2000	216	176	20	15	1	91.5	211	183	163	10	10	5

CACR-KL2-33-W2400

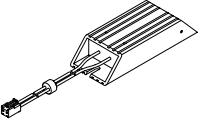
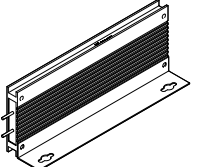
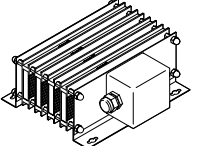


Type	B1	B2	B3	B4	B5	H1	L1	L2	L3	L4	L5	L6
CACR-KL2-33-W2400	216	176	20	15	1	115.5	356	327	307	10	10	5

Data sheet

Allocation of braking resistor to motor controller						
Braking resistor	CACR-					
	LE2-6-W60	LE2-50-W500	LE2-72-W500	KL2-67-W1800	KL2-40-W2000	KL2-33-W2400
Suitable for motor controller						
CMMP-AS-C2-3A-M0	-	■ ¹⁾	■	-	-	-
CMMP-AS-C5-3A-M0	-	■ ¹⁾	■	-	-	-
CMMP-AS-C5-11A-P3-M0	-	-	-	■	■ ¹⁾	-
CMMP-AS-C10-11A-P3-M0	-	-	-	■	■ ¹⁾	-
CMMP-AS-C2-3A-M3	-	■ ¹⁾	■	-	-	-
CMMP-AS-C5-3A-M3	-	■ ¹⁾	■	-	-	-
CMMP-AS-C5-11A-P3-M3	-	-	-	■	■ ¹⁾	-
CMMP-AS-C10-11A-P3-M3	-	-	-	■	■ ¹⁾	-
CMMP-AS-C20-11A-P3	-	-	-	-	-	■
Suitable for integrated drive						
EMCA-EC-67-...	■	-	-	-	-	-

1) Recommended braking resistor

Ordering data				
Type	Resistance value [Ω]	Nominal power [W]	Part no.	Type
CACR-LE2-...				
	6	60	8047913	CACR-LE2-6-W60
	50	200	2882342	CACR-LE2-50-W500
	72	200	1336611	CACR-LE2-72-W500
	100	200	1336615	CACR-LE2-100-W500
CACR-KL2-...				
	67	720	1336617	CACR-KL2-67-W1800
	40	800	2882343	CACR-KL2-40-W2000
	33	1440	1336619	CACR-KL2-33-W2400