







Pressure gauge










FESTO



Product range overview

Design	Type	Pneumatic connection	Nominal size	Display range		→ Page/ Internet	
				Outer scale	Inner scale		
Pressure gauge 	MA-...-EN	R1/8	40	0 ... 10 bar	0 ... 145 psi	4	
				0 ... 25 bar	0 ... 360 psi		
		R1/4	40	0 ... 6 bar	0 ... 87 psi		
				0 ... 10 bar	0 ... 145 psi		
				0 ... 16 bar	0 ... 232 psi		
		G1/4	40	0 ... 6 bar	0 ... 87 psi		
				0 ... 10 bar	0 ... 145 psi		
				0 ... 16 bar	0 ... 232 psi		
				0 ... 25 bar	0 ... 360 psi		
			50	0 ... 2.5 bar	0 ... 36 psi		
				0 ... 10 bar	0 ... 145 psi		
				0 ... 16 bar	0 ... 232 psi		
		63	0 ... 1 bar	0 ... 14.5 psi			
		MA	M5	15	0 ... 10 bar	–	7
					0 ... 145 psi	–	
				27	0 ... 10 bar	–	
					0 ... 1 MPa	–	
				0 ... 160 psi	–		
			R1/8	23	0 ... 6 bar	0 ... 87 psi	
					0 ... 10 bar	0 ... 145 psi	
				0 ... 16 bar	0 ... 232 psi		
	27			0 ... 16 bar	0 ... 232 psi		
			0 ... 25 bar	0 ... 360 psi			
	G1/8		40	0 ... 10 bar	0 ... 145 psi		
				0 ... 16 bar	0 ... 232 psi		
		0 ... 1 MPa		–			
		0 ... 1.6 MPa	–				
	G1/4	50	0 ... 10 bar	0 ... 145 psi			
			0 ... 16 bar	0 ... 232 psi			
			0 ... 1 MPa	–			
			0 ... 1.6 MPa	–			
	MA-63-0,25	G1/4	63	0 ... 0.25 bar	0 ... 3.6 psi	10	
	MA-...-QS	QS-4, QS-6, QS-8	15	0 ... 10 bar	–	11	
	PAGN-23	G1/8	23	0 ... 10 bar	0 ... 145 psi	12	
				0 ... 1 MPa	–		
	PAGN-63	G1/4	63	0 ... 16 bar	–	13	
	PAGN-...-P10	Cartridge 10 mm	26, 40	0 ... 10 bar	0 ... 145 psi	14	
					0 ... 16 bar		0 ... 232 psi
					0 ... 145 psi		0 ... 10 bar
					0 ... 232 psi		0 ... 16 bar
					0 ... 1 MPa		–
		0 ... 1.6 MPa	–				


Product range overview

Design	Type	Pneumatic connection	Nominal size	Display range		→ Page/ Internet	
				Outer scale	Inner scale		
Pressure gauge	With red/green range						
		MA-...-RG	R1/8	40	0 ... 2.5 bar	–	16
					0 ... 10 bar	–	
					0 ... 16 bar	–	
					0 ... 1 MPa	–	
					0 ... 1.6 MPa	–	
					0 ... 145 psi	–	
					0 ... 232 psi	–	
		R1/4	50	0 ... 2.5 bar	–	16	
				0 ... 10 bar	–		
				0 ... 16 bar	–		
				0 ... 0.25 MPa	–		
				0 ... 1 MPa	–		
				0 ... 1.6 MPa	–		
				0 ... 36 psi	–		
PAGN-...-P10-RG	Cartridge 10 mm	26	0 ... 10 bar	0 ... 1 MPa	18		
			For high-pressure applications				
		PAGL-HP3	G1/4	63	0 ... 60 bar and 0 ... 6 MPa	0 ... 870 psi	pagl
Precision pressure gauge		MAP	R1/8	40	0 ... 1 bar	0 ... 15 psi	19
					0 ... 4 bar	0 ... 58 psi	
					0 ... 6 bar	0 ... 87 psi	
					0 ... 16 bar	0 ... 232 psi	
		PAGN-...-1.6	R1/8	40	0 ... 10 bar	0 ... 145 psi	20
					0 ... 1 MPa	0 ... 10 bar	
Flanged pressure gauge		FMA-...-EN	G1/4	40	0 ... 10 bar	0 ... 145 psi	21
				50, 63	0 ... 16 bar	0 ... 232 psi	
			50, 63	0 ... 2.5 bar	0 ... 36 psi		
				0 ... 10 bar	0 ... 145 psi		
		FMA-63-0,25	G1/4	63	0 ... 16 bar	0 ... 232 psi	23
					0 ... 0.25 bar	0 ... 3.6 psi	
Flanged precision pressure gauge		FMAP	G1/4	63	0 ... 1 bar	0 ... 15 psi	24
					0 ... 4 bar	0 ... 58 psi	
					0 ... 6 bar	0 ... 87 psi	
					0 ... 16 bar	0 ... 232 psi	
					For pressure booster DPA		
Pressure gauge kit		DPA-...-MA-SET	R1/8	27	0 ... 16 bar	0 ... 232 psi	dpa
				40	0 ... 25 bar	0 ... 360 psi	
			G1/8, G1/4	40	0 ... 16 bar	0 ... 232 psi	
				40	0 ... 25 bar	0 ... 360 psi	
Vacuum gauge		VAM-...-EN	R1/8	40	-1 ... 0 bar	-30 ... 0 inHg	vam
			R1/4	63	-1 ... 0 bar	-30 ... 0 inHg	
			-1 ... 9 bar	-30 ... 0 inHg and 0 ... 130 psi			
			-1 ... 0 bar	–			
		VAM-...-RG	R1/8	40	-1 ... 0 bar	–	
			R1/4	63	-1 ... 0 bar	–	
		FVAM-...-EN	G1/8	40	-1 ... 0 bar	-30 ... 0 inHg	fvam
			G1/4	63	-1 ... 0 bar	-30 ... 0 inHg	

Data sheet

Function



-  - Temperature range
-20 ... +60°C



- Suitable for service unit components of series MS4/MS6/MS9/MS12

General technical data						
Nominal size	40			50		63
Pneumatic connection	R1/8	R1/4	G1/4	G1/4	G1/4	
Operating medium	Inert gases					
	Neutral fluids					
Note on the operating/pilot medium	No oxygen					
	No acetylene					
Design	Bourdon tube pressure gauge					
Conforms to standard	EN 837-1					
Type of mounting	In-line installation					
Connection position	Centred, rear					
Ambient temperature [°C]	-20 ... +60					
Temperature of medium [°C]	-20 ... +60 ¹⁾					
Measurement accuracy class	2.5					
Intermittent load factor	0.66					
Degree of protection	IP43					
For service unit components of series MS	MS4	MS4/MS6/MS9/MS12		-	-	
Weight [g]	60	70	70	70	80	

1) If the temperature of the medium used is below 0°C, ensure the operating medium is dry.

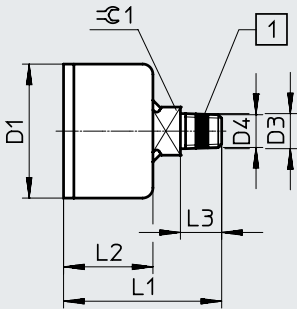
Materials						
Nominal size	40			50		63
Pneumatic connection	R1/8	R1/4	G1/4	G1/4	G1/4	
Housing	MA-40-10-1/8-EN only	PBT (colour: black)		-		
	not MA-40-10-1/8-EN	ABS (colour: black)				
Inspection window	PS					
Screwed trunnion/ Materials in contact with the medium	Brass					
Note on materials	RoHS-compliant					

Data sheet

Dimensions

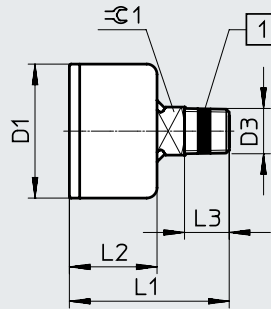
Download CAD data → www.festo.com

MA-40, R1/8



[1] PTFE sealing band for MA-40-16-1/8-EN-DPA and MA-40-25-1/8-EN

MA-40, R1/4



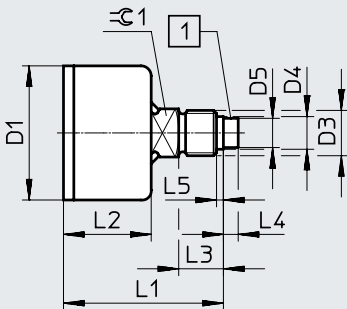
[1] PTFE sealing band

Type	D1 ∅	D3	D4 ∅	L1	L2	L3	⊖⊕ 1
MA-40-...-1/8-EN	39 -0.2	R1/8	10.2	46 ±1	26 ±0.5	12 +0.3	14
MA-40-...-R1/4-EN		R1/4	-	46.5	25.5	13	

Dimensions

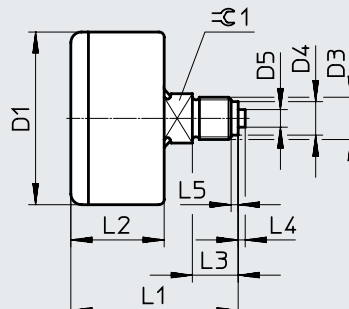
Download CAD data → www.festo.com

MA-40, G1/4



[1] With pre-fitted PTFE sealing ring

MA-50/63, G1/4



Type	D1 ∅	D3	D4 ∅	D5 ∅	L1	L2 ±0.5	L3 +0.3	L4	L5	⊖⊕ 1
MA-40-...-G1/4-EN	39 -0.2	G1/4	9.5	8.5	46.5 ±1	25.5	13	4.3 ±0.1	2	14
MA-50-...-1/4-EN	49 ±0.5		9.5 -0.2	5	47.5 ±1	26.5		2		
MA-63-...-1/4-EN	61.5 ±0.5		9.5	5	47 ±0.5	26.5		2		


Data sheet

Ordering data						
Nominal size	Pneumatic connection	Operating pressure	Display range		Part no.	Type
			Outer scale	Inner scale		
Display unit [bar]/[psi]						
40	R1/8	0 ... 10 bar	0 ... 10 bar	0 ... 145 psi	162835	MA-40-10-1/8-EN
		0 ... 16 bar	0 ... 16 bar	0 ... 232 psi	529046	MA-40-16-1/8-EN-DPA
		0 ... 25 bar	0 ... 25 bar	0 ... 360 psi	526167	MA-40-25-1/8-EN
	R1/4	0 ... 6 bar	0 ... 6 bar	0 ... 87 psi	187078	MA-40-6-R1/4-EN
		0 ... 10 bar	0 ... 10 bar	0 ... 145 psi	187079	MA-40-10-R1/4-EN
		0 ... 16 bar	0 ... 16 bar	0 ... 232 psi	187080	MA-40-16-R1/4-EN
	G1/4	0 ... 6 bar	0 ... 6 bar	0 ... 87 psi	183899	MA-40-6-G1/4-EN
		0 ... 10 bar	0 ... 10 bar	0 ... 145 psi	183900	MA-40-10-G1/4-EN
		0 ... 16 bar	0 ... 16 bar	0 ... 232 psi	183901	MA-40-16-G1/4-EN
		0 ... 25 bar	0 ... 25 bar	0 ... 360 psi	183902	MA-40-25-G1/4-EN
50	G1/4	0 ... 2.5 bar	0 ... 2.5 bar	0 ... 36 psi	162837	MA-50-2,5-1/4-EN
		0 ... 10 bar	0 ... 10 bar	0 ... 145 psi	162838	MA-50-10-1/4-EN
		0 ... 16 bar	0 ... 16 bar	0 ... 232 psi	162839	MA-50-16-1/4-EN
63	G1/4	0 ... 1 bar	0 ... 1 bar	0 ... 14.5 psi	162844	MA-63-1-1/4-EN

Data sheet

Function



-  - Temperature range
-20 ... +60°C



- Suitable for service unit components of series D

General technical data						
Nominal size	15	23	27	40	50	
Pneumatic connection	M5	R1/8	M5	R1/8	G1/8	G1/4
Operating medium	Inert gases Neutral fluids					
Note on the operating/pilot medium	No oxygen No acetylene					
Design	Bourdon tube pressure gauge without measuring mechanism					
Conforms to standard	-			EN 837-1		
Type of mounting	In-line installation					
Connection position	Centred, rear					
Ambient temperature [°C]	-20 ... +60		0 ... +60		-20 ... +60	
Temperature of medium [°C]	-20 ... +60 ¹⁾		0 ... +60		-20 ... +60 ¹⁾	
Measurement accuracy class	5	4	4	2.5		
Intermittent load factor	0.66		0.6		0.66	
Degree of protection	IP53	IP44	IP43			
For service unit components of series D	-		MICRO	-	MINI	MIDI/MAXI
Weight [g]	10	27	11	8	60	70

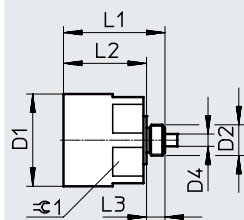
1) If the temperature of the medium used is below 0°C, ensure the operating medium is dry.

Materials						
Nominal size	15	23	27	40	50	
Pneumatic connection	M5	R1/8	M5	R1/8	G1/8	G1/4
Housing	Steel (colour: black)	Brass (colour: black)	PA (colour: black)		ABS (colour: black)	
Inspection window	PC		PS		PS	
Screwed trunnion/ Materials in contact with the medium	Brass		Brass	Reinforced PA	Brass	
Note on materials	RoHS-compliant					

Dimensions

Download CAD data → www.festo.com

MA-15, M5



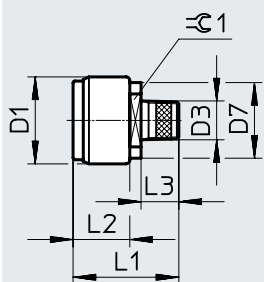
Type	D1	D2	D4	L1	L2	L3	∅ 1
MA-15-...-M5	15	M5x0.8	2	16.5	13.5	3	14

Data sheet

Dimensions

Download CAD data → www.festo.com

MA-23, R1/8

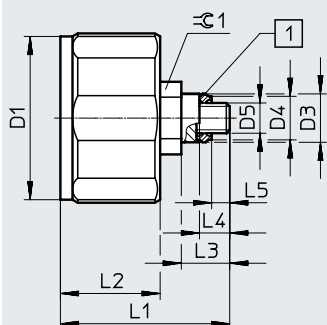


Type	D1 ∅ -0.4	D3	D7 ∅ -0.4	L1 ±0.35	L2 ±0.25	L3	∠ 1
MA-23...-R1/8	23	R1/8	20	28	15	10	14

Dimensions

Download CAD data → www.festo.com

MA-27, M5



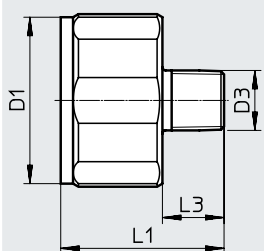
[1] With pre-fitted polyamide sealing ring

Type	D1 ∅	D3 ∅	D4 ∅	D5	L1	L2 ±0.5	L3	L4	L5	∠ 1
MA-27...-M5	27	8	7.4	M5	28	16.5	8	5	3	10

Dimensions

Download CAD data → www.festo.com

MA-27, R1/8



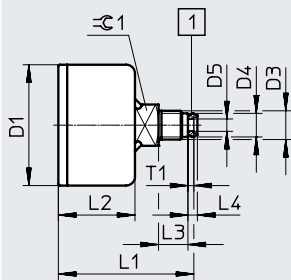
Type	D1 ∅	D3	L1	L3 ±0.15
MA-27...-R1/8	27	R1/8	26.5	10

Data sheet

Download CAD data → www.festo.com

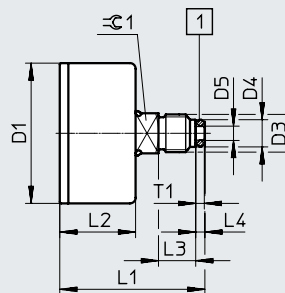
Dimensions

MA-40, G1/8



[1] With pre-fitted aluminium sealing ring

MA-50, G1/4



[1] With pre-fitted aluminium sealing ring

Type	D1 ∅	D3	D4 ∅	D5 ∅	L1	L2	L3	L4	T1	⊕1
					±1	±0.5	+0.3			
MA-40-...1/8	39 -0.2	G1/8	8	4.2	46	26	10	3.2	2	14
MA-40-...1/4	49	G1/4	9.5	5	50.5	26.5	13		3	

Ordering data

Nominal size	Pneumatic connection	Operating pressure	Display range		Part no.	Type
			Outer scale	Inner scale		
Display unit [bar]/[psi]						
23	R1/8	0 ... 6 bar	0 ... 6 bar	0 ... 87 psi	183896	MA-23-6-R1/8
		0 ... 10 bar	0 ... 10 bar	0 ... 145 psi	183897	MA-23-10-R1/8
		0 ... 16 bar	0 ... 16 bar	0 ... 232 psi	183898	MA-23-16-R1/8
27	R1/8	0 ... 16 bar	0 ... 16 bar	0 ... 232 psi	541733	MA-27-16-R1/8
		0 ... 25 bar	0 ... 25 bar	0 ... 360 psi	541734	MA-27-25-R1/8
40	G1/8	0 ... 10 bar	0 ... 10 bar	0 ... 145 psi	359874	MA-40-10-1/8
		0 ... 16 bar	0 ... 16 bar	0 ... 232 psi	345395	MA-40-16-1/8
50	G1/4	0 ... 10 bar	0 ... 10 bar	0 ... 145 psi	359873	MA-50-10-1/4
		0 ... 16 bar	0 ... 16 bar	0 ... 232 psi	356759	MA-50-16-1/4


Ordering data

Nominal size	Pneumatic connection	Operating pressure	Display range		Part no.	Type
			Outer scale	Inner scale		
Display unit [bar]						
15	M5	0 ... 10 bar	0 ... 10 bar	-	132340	MA-15-10-M5
27	M5	0 ... 10 bar	0 ... 10 bar	-	526323	MA-27-10-M5
Display unit [MPa]						
27	M5	0 ... 1 MPa	0 ... 1 MPa	-	526324	MA-27-1,0-M5-MPA
40	G1/8	0 ... 1 MPa	0 ... 1 MPa	-	192732	MA-40-1-G1/8-MPA
		0 ... 1.6 MPa	0 ... 1.6 MPa	-	192733	MA-40-1,6-G1/8-MPA
50	G1/4	0 ... 1 MPa	0 ... 1 MPa	-	192734	MA-50-1-G1/4-MPA
		0 ... 1.6 MPa	0 ... 1.6 MPa	-	192735	MA-50-1,6-G1/4-MPA
Display unit [psi]						
15	M5	0 ... 145 psi	0 ... 145 psi	-	132341	MA-15-145-M5-PSI
27	M5	0 ... 160 psi	0 ... 160 psi	-	527405	MA-27-160-M5-PSI

Data sheet

Function



-  - Temperature range
-20 ... +60°C



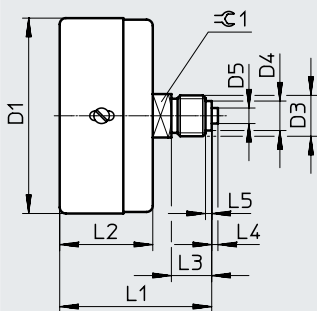
General technical data	
Nominal size	63
Pneumatic connection	G1/4
Operating medium	Gaseous media
	Liquid media
Note on the operating/pilot medium	No oxygen
	No acetylene
Design	Capsule pressure gauge
Conforms to standard	EN 837-3
Type of mounting	In-line installation
Connection position	Centred, rear
Ambient temperature [°C]	-20 ... +60
Temperature of medium [°C]	-20 ... +80 ¹⁾
Measurement accuracy class	1.6
Continuous load factor	0.75
Intermittent load factor	0.9
Degree of protection	IP43
Weight [g]	180

1) If the temperature of the medium used is below 0°C, ensure the operating medium is dry.

Materials	
Housing	Steel
Inspection window	PMMA
Bezel ring/screws	Steel
Screwed trunnion	Brass

Dimensions

Download CAD data → www.festo.com



Type	D1 ∅ ±1	D3	D4 ∅	D5 ∅	L1 ±1	L2	L3 +0.3	L4	L5	☉ 1
MA-63	63	G1/4	9.5	5	49	30	13	2	2	14

Ordering data						
Nominal size	Pneumatic connection	Operating pressure	Display range		Part no.	Type
			Outer scale	Inner scale		
Display unit [bar]/[psi]						
63	G1/4	0 ... 0.25 bar	0 ... 0.25 bar	0 ... 3.6 psi	7169	MA-63-0,25

Data sheet

Function



Temperature range
-20 ... +60°C



General technical data

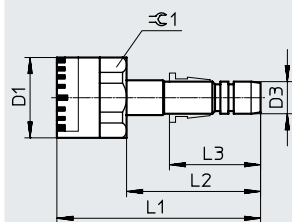
Nominal size	15		
Pneumatic connection	QS-4	QS-6	QS-8
Operating medium	Inert gases Neutral fluids		
Note on the operating/pilot medium	No oxygen No acetylene		
Design	Bourdon tube pressure gauge without measuring mechanism		
Type of mounting	In-line installation		
Connection position	Centred, rear		
Ambient temperature [°C]	-20 ... +60		
Temperature of medium [°C]	-20 ... +60		
Measurement accuracy class	5		
Intermittent load factor	0.66		
Degree of protection	IP53		
Weight [g]	10		

Materials

Housing	Steel (colour: black)
Inspection window	PC
Screwed trunnion/ Materials in contact with the medium	Brass
Note on materials	RoHS-compliant

Dimensions

Download CAD data → www.festo.com



Type	D1 ∅	D3	L1	L2	L3	±0.1
MA-15-10-QS-4	15	QS-4	36	23	15	14
MA-15-10-QS-6	15	QS-6	38	25	17	14
MA-15-10-QS-8	15	QS-8	34	21	18.5	14


Ordering data

Nominal size	Pneumatic connection	Operating pressure	Display range		Part no.	Type
			Outer scale	Inner scale		
Display unit [bar]						
15	QS-4	0 ... 10 bar	0 ... 10 bar	–	153383	MA-15-10-QS-4
	QS-6	0 ... 10 bar	0 ... 10 bar	–	153384	MA-15-10-QS-6
	QS-8	0 ... 10 bar	0 ... 10 bar	–	153385	MA-15-10-QS-8

Data sheet

Function



-  - Temperature range
-5 ... +50°C



- Suitable for service unit components of series MS2

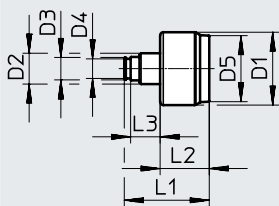
General technical data	
Nominal size	23
Pneumatic connection	G1/8 with sealing ring
Operating medium	Inert gases Neutral fluids
Note on the operating/pilot medium	No oxygen No acetylene
Design	Bourdon tube pressure gauge
Type of mounting	In-line installation
Connection position	Centred, rear
Ambient temperature [°C]	-5 ... +50
Temperature of medium [°C]	-5 ... +50 ¹⁾
Storage temperature [°C]	-5 ... +50
Measurement accuracy class	4
Intermittent load factor	0.6
Degree of protection	IP44
Weight [g]	6

1) If the temperature of the medium used is below 0°C, ensure the operating medium is dry.

Materials	
Housing	ABS (colour: black)
Inspection window	PMMA
Screwed trunnion	Reinforced ABS
Materials in contact with the medium	Reinforced ABS, brass
Note on materials	RoHS-compliant

Dimensions

Download CAD data → www.festo.com



Type	D1 ∅	D2	D3 ∅	D4 ∅	D5 ∅	L1	L2	L3
PAGN-23	23	G1/8	7.1	6.2 ±0.05	20.8	26.8	15.5	9.3

Ordering data						
Nominal size	Pneumatic connection	Operating pressure	Display range		Part no.	Type
			Outer scale	Inner scale		
Display unit [bar]/[psi]						
23	G1/8 with sealing ring	0 ... 10 bar	0 ... 10 bar	0 ... 145 psi	8088991	PAGN-23-10-G18S
Display unit [MPa]						
23	G1/8 with sealing ring	0 ... 1 MPa	0 ... 1 MPa	-	8088992	PAGN-23-1M-G18S

Data sheet

Function



- - Temperature range
-40 ... +200°C

- Suitable for filter regulator PCRP



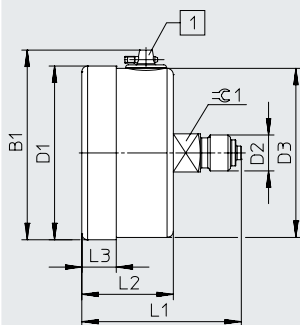
General technical data	
Nominal size	63
Pneumatic connection	G1/4
Operating medium	Inert gases Neutral fluids
Note on operating/ pilot medium	No oxygen No acetylene
Design	Bourdon tube pressure gauge
Conforms to standard	EN 837-1
Type of mounting	In-line installation
Connection position	Centred, rear
Ambient temperature [°C]	-40 ... +60
Temperature of medium [°C]	-40 ... +200 ¹⁾
Storage temperature [°C]	-40 ... +70
Measurement accuracy class	1.6
Intermittent load factor	0.66
Degree of protection	IP65
Weight [g]	160

1) If the temperature of the medium used is below 0°C, ensure the operating medium is dry.

Materials	
Housing	High-alloy stainless steel (colour: silver)
Inspection window	PC
Screwed trunnion/ Materials in contact with the medium	High-alloy stainless steel
Note on materials	RoHS-compliant

Dimensions

Download CAD data → www.festo.com



[1] ≤ 16 bar with compensating valve

Type	B1	D1 ∅	D2	D3 ∅	L1	L2	L3	⊖ 1
PAGN-63	69.5	63	G1/4	62	57	33	11.5	14

Ordering data						
Nominal size	Pneumatic connection	Operating pressure	Display range		Part no.	Type
			Outer scale	Inner scale		
Display unit [bar]						
63	G1/4	0 ... 16 bar	0 ... 16 bar	-	8081401	PAGN-63-16-G14-R1-1.6-0.5-V2

Data sheet

Function



Temperature range
-20 ... +60°C



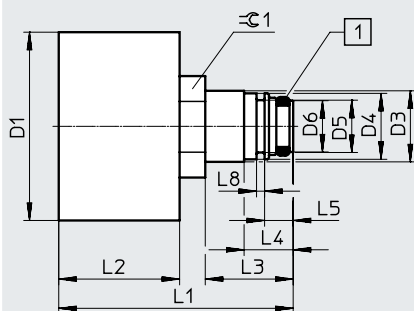
General technical data		
Nominal size	26	40
Pneumatic connection	Cartridge 10 mm	Cartridge 10 mm
Operating medium	Inert gases Neutral fluids	
Note on the operating/pilot medium	No oxygen No acetylene	
Design	Bourdon tube pressure gauge	
Conforms to standard	-	EN 837-1
Type of mounting	In-line installation	
Connection position	Centred, rear	
Ambient temperature [°C]	-20 ... +60	
Temperature of medium [°C]	-20 ... +60 ¹⁾	
Measurement accuracy class	4	2.5
Intermittent load factor	0.66	
Degree of protection	IP43 NEMA 4 (only with outer scale in bar)	
Weight [g]	15	50

1) If the temperature of the medium used is below 0°C, ensure the operating medium is dry.

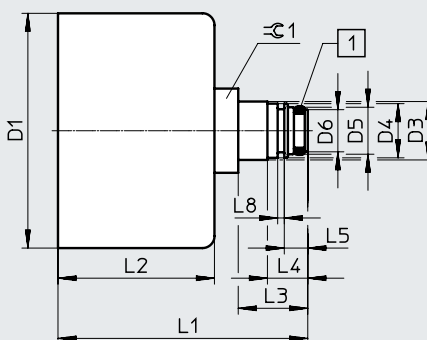
Materials		
Nominal size	26	40
Housing	PA (colour: black)	ABS (colour: black)
Inspection window	PS	
Screwed trunnion/ Materials in contact with the medium	Brass	
Note on materials	RoHS-compliant	

Dimensions

PAGN-26-...-P10



PAGN-40-...-P10



Download CAD data → www.festo.com

[1] Sealing ring

Type	D1	D3	D4	D5	D6	L1	L2	L3	L4	L5	L8	⌀ 1
PAGN-26-...-P10	25.7	9.7	9	7.8	7	32	16.5	12	6.7	3.9	1.1	12
PAGN-40-...-P10	39					41.5	26	11.6				14

Data sheet


Ordering data						
Nominal size	Pneumatic connection	Operating pressure	Display range		Part no.	Type
			Outer scale	Inner scale		
Display unit [bar]/[psi]						
26	Cartridge 10 mm	0 ... 10 bar	0 ... 10 bar	0 ... 145 psi	543488	PAGN-26-10-P10
		0 ... 16 bar	0 ... 16 bar	0 ... 232 psi	543487	PAGN-26-16-P10
40	Cartridge 10 mm	0 ... 10 bar	0 ... 10 bar	0 ... 145 psi	548009	PAGN-40-10-P10
		0 ... 16 bar	0 ... 16 bar	0 ... 232 psi	548010	PAGN-40-16-P10
Display unit [psi]/[bar]						
26	Cartridge 10 mm	0 ... 145 psi	0 ... 145 psi	0 ... 10 bar	563732	PAGN-26-145P-P10
		0 ... 232 psi	0 ... 232 psi	0 ... 16 bar	563731	PAGN-26-232P-P10
40	Cartridge 10 mm	0 ... 145 psi	0 ... 145 psi	0 ... 10 bar	563734	PAGN-40-145P-P10
		0 ... 232 psi	0 ... 232 psi	0 ... 16 bar	563733	PAGN-40-232P-P10
Display unit [MPa]						
26	Cartridge 10 mm	0 ... 1 MPa	0 ... 1 MPa	–	563736	PAGN-26-1M-P10
		0 ... 1.6 MPa	0 ... 1.6 MPa	–	563735	PAGN-26-1.6M-P10
40	Cartridge 10 mm	0 ... 1 MPa	0 ... 1 MPa	–	563738	PAGN-40-1M-P10
		0 ... 1.6 MPa	0 ... 1.6 MPa	–	563737	PAGN-40-1.6M-P10

Pressure gauge MA-...-RG, with red/green range

Data sheet

Function



-  - Temperature range
-20 ... +60°C



- Suitable for service unit components of series MS4/MS6/MS9/MS12

The adjustable red/green range provides additional safety when monitoring compressed air.

The coloured red and green segments show when the pressure is in the permitted tolerance range

and enable you to adjust the pressure individually.

General technical data		
Nominal size	40	50
Pneumatic connection	R1/8	R1/4
Operating medium	Inert gases Neutral fluids	
Note on the operating/pilot medium	No oxygen No acetylene	
Design	Bourdon tube pressure gauge	
Conforms to standard	EN 837-1	
Type of mounting	In-line installation	
Connection position	Centred, rear	
Ambient temperature [°C]	-20 ... +60	
Temperature of medium [°C]	-20 ... +60 ¹⁾	
Measurement accuracy class	2.5	
Intermittent load factor	0.66	
Degree of protection	IP43	
For service unit components of series MS	MS4	MS4/MS6/MS9/MS12
Weight [g]	60	75

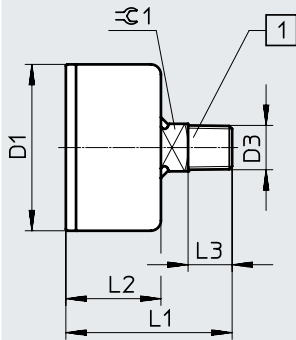
1) If the temperature of the medium used is below 0°C, ensure the operating medium is dry.

Materials	
Housing	ABS (colour: black)
Inspection window	PMMA
Screwed trunnion/ Materials in contact with the medium	Brass
Note on materials	RoHS-compliant

Data sheet

Dimensions

Download CAD data → www.festo.com



[1] Coated with thread sealant


Type	D1 ∅ ±0.5	D3	L1 ±1	L2 ±0.5	L3	⊘ 1
MA-40-...-RG	39	R1/8	46	28	10	14
MA-50-...-RG	49	R1/4	49	28	13	14

Ordering data						
Nominal size	Pneumatic connection	Operating pressure	Display range		Part no.	Type
			Outer scale	Inner scale		
Display unit [bar]						
40	R1/8	0 ... 2.5 bar	0 ... 2.5 bar	–	546963	MA-40-2,5-R1/8-E-RG
		0 ... 10 bar	0 ... 10 bar	–	525725	MA-40-10-R1/8-E-RG
		0 ... 16 bar	0 ... 16 bar	–	525726	MA-40-16-R1/8-E-RG
50	R1/4	0 ... 2.5 bar	0 ... 2.5 bar	–	525727	MA-50-2,5-R1/4-E-RG
		0 ... 10 bar	0 ... 10 bar	–	525728	MA-50-10-R1/4-E-RG
		0 ... 16 bar	0 ... 16 bar	–	525729	MA-50-16-R1/4-E-RG
Display unit [MPa]						
40	R1/8	0 ... 1 MPa	0 ... 1 MPa	–	526778	MA-40-1,0-R1/8-MPA-E-RG
		0 ... 1.6 MPa	0 ... 1.6 MPa	–	526779	MA-40-1,6-R1/8-MPA-E-RG
50	R1/4	0 ... 0.25 MPa	0 ... 0.25 MPa	–	526780	MA-50-0,25-R1/4-MPA-E-RG
		0 ... 1 MPa	0 ... 1 MPa	–	526781	MA-50-1,0-R1/4-MPA-E-RG
		0 ... 1.6 MPa	0 ... 1.6 MPa	–	526782	MA-50-1,6-R1/4-MPA-E-RG
Display unit [psi]						
40	R1/8	0 ... 145 psi	0 ... 145 psi	–	526786	MA-40-145-R1/8-PSI-E-RG
		0 ... 232 psi	0 ... 232 psi	–	526787	MA-40-232-R1/8-PSI-E-RG
50	R1/4	0 ... 36 psi	0 ... 36 psi	–	526788	MA-50-36-R1/4-PSI-E-RG
		0 ... 145 psi	0 ... 145 psi	–	526789	MA-50-145-R1/4-PSI-E-RG
		0 ... 232 psi	0 ... 232 psi	–	526790	MA-50-232-R1/4-PSI-E-RG

Data sheet

Function



-  - Temperature range
-20 ... +60°C



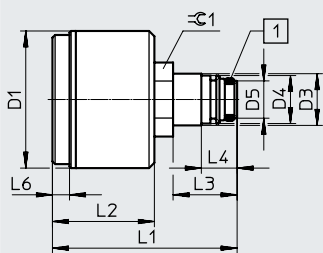
General technical data	
Nominal size	26
Pneumatic connection	Cartridge 10 mm
Operating medium	Inert gases Neutral fluids
Note on operating/ pilot medium	No oxygen No acetylene
Design	Bourdon tube pressure gauge without measuring mechanism
Type of mounting	In-line installation
Connection position	Centred, rear
Ambient temperature [°C]	-20 ... +60
Temperature of medium [°C]	-20 ... +60 ¹⁾
Measurement accuracy class	4
Intermittent load factor	0.66
Degree of protection	IP43
Weight [g]	15

1) If the temperature of the medium used is below 0°C, ensure the operating medium is dry.

Materials	
Housing	PA (colour: black)
Inspection window	PS
Screwed trunnion/ materials in contact with the media	Brass
Note on materials	RoHS-compliant

Dimensions

Download CAD data → www.festo.com



[1] Sealing ring

Type	D1 ∅ +0.1/-0.2	D3 ∅ ±0.1	D4 ∅ ±0.05	D5 ∅ ±0.1	L1 ±1	L2 ±0.5	L3	L4	L6 ±0.1	⊕ 1
PAGN-26-...-P10-RG	25.7	9.7	9	7	34.6	19.1	12	6.7	3.2	12

Ordering data						
Nominal size	Pneumatic connection	Operating pressure	Display range		Part no.	Type
			Outer scale	Inner scale		
Display unit [bar]/[MPa]						
26	Cartridge 10 mm	0 ... 10 bar	0 ... 10 bar	0 ... 1 MPa	8090378	PAGN-26-10-P10-RG

Data sheet

Function



- - Temperature range
-20 ... +60°C

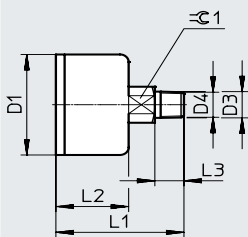


General technical data	
Nominal size	40
Pneumatic connection	R1/8
Operating medium	Inert gases Neutral fluids
Note on the operating/pilot medium	No oxygen No acetylene
Design	Bourdon tube pressure gauge
Conforms to standard	EN 837-1
Type of mounting	In-line installation
Connection position	Centred, rear
Ambient temperature [°C]	-20 ... +60
Temperature of medium [°C]	-20 ... +60 ¹⁾
Measurement accuracy class	1.6
Intermittent load factor	0.66
Degree of protection	IP43
Weight [g]	60

1) If the temperature of the medium used is below 0°C, ensure the operating medium is dry.

Materials	
Housing	PBT (colour: black)
Inspection window	PS
Screwed trunnion/ Materials in contact with the medium	Brass
Note on materials	RoHS-compliant

Dimensions

[Download CAD data → www.festo.com](http://www.festo.com)


Type	D1 ∅ +0.1/-0.2	D3	D4 ∅	L1	L2 +0.5	L3	R1
MAP-40-...-EN	39	R1/8	10.2	44	25	10	14

Ordering data						
Nominal size	Pneumatic connection	Operating pressure	Display range		Part no.	Type
			Outer scale	Inner scale		
Display unit [bar]/[psi]						
40	R1/8	0 ... 1 bar	0 ... 1 bar	0 ... 15 psi	161126	MAP-40-1-1/8-EN
		0 ... 4 bar	0 ... 4 bar	0 ... 58 psi	162842	MAP-40-4-1/8-EN
		0 ... 6 bar	0 ... 6 bar	0 ... 87 psi	161127	MAP-40-6-1/8-EN
		0 ... 16 bar	0 ... 16 bar	0 ... 232 psi	161128	MAP-40-16-1/8-EN

Data sheet

Function



Temperature range
-20 ... +60°C



- Suitable for precision pressure regulator LRP

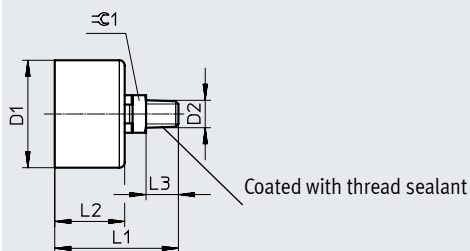
General technical data	
Nominal size	40
Pneumatic connection	R1/8
Operating medium	Inert gases Neutral fluids
Note on the operating/pilot medium	No oxygen No acetylene
Design	Bourdon tube pressure gauge
Conforms to standard	EN 837-1
Type of mounting	In-line installation
Connection position	Centred, rear
Ambient temperature [°C]	-20 ... +60
Temperature of medium [°C]	-20 ... +60 ¹⁾
Storage temperature [°C]	-40 ... +70
Measurement accuracy class	1.6
Intermittent load factor	0.66
Degree of protection	IP43
Weight [g]	60

1) If the temperature of the medium used is below 0°C, ensure the operating medium is dry.

Materials	
Housing	PBT (colour: black)
Inspection window	PS
Screwed trunnion/ Materials in contact with the medium	Brass
Note on materials	RoHS-compliant

Dimensions

Download CAD data → www.festo.com




Type	D1 ø	D2	L1	L2	L3	⌀ 1
PAGN-40-...-1.6	39 +0.1/-0.2	R1/8	44	25 +0.5	10	14

Ordering data						
Nominal size	Pneumatic connection	Operating pressure	Display range		Part no.	Type
			Outer scale	Inner scale		
Display unit [bar]/[psi]						
40	R1/8	0 ... 10 bar	0 ... 10 bar	0 ... 145 psi	2849914	PAGN-40-10-R18-1.6
Display unit [MPa]/[bar]						
40	R1/8	0 ... 1 MPa	0 ... 1 MPa	0 ... 10 bar	2849916	PAGN-40-1M-R18-1.6

Data sheet

Function



-  - Temperature range
-20 ... +60°C



General technical data			
Nominal size	40	50	63
Pneumatic connection	G1/4	G1/4	G1/4
Operating medium	Inert gases Neutral fluids		
Note on the operating/pilot medium	No oxygen No acetylene		
Design	Bourdon tube pressure gauge		
Conforms to standard	EN 837-1		
Type of mounting	Front panel mounting		
Connection position	Centred, rear		
Ambient temperature [°C]	-20 ... +60		
Temperature of medium [°C]	-20 ... +60 ¹⁾		
Measurement accuracy class	2.5		
Intermittent load factor	0.66		
Degree of protection	IP43		
Weight [g]	80	100	120

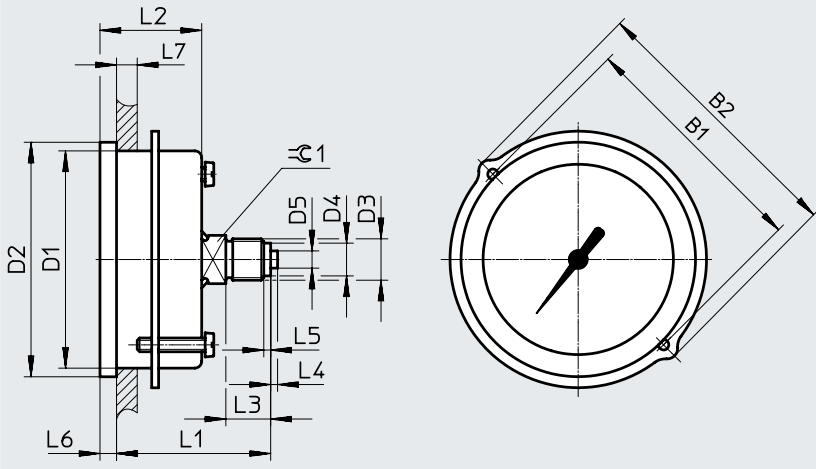
1) If the temperature of the medium used is below 0°C, ensure the operating medium is dry.

Materials	
Housing	ABS (colour: black)
Inspection window	SAN
Mounting ring	Steel
Screwed trunnion/ Materials in contact with the medium	Brass
Note on materials	RoHS-compliant

Data sheet

Dimensions

Download CAD data → www.festo.com



Type	B1	B2	D1 ∅	D2 ∅	D3	D4 ∅	D5 ∅	L1	L2	L3	L4	L5	L6	L7 max.	⊕ 1
FMA-40-...-EN	48	56	40 -0.2	45 -0.3	G1/4	9.5	5	43	26.5 ±0.5	13	2	2	4.5	15	14
FMA-50-...-EN	57 +0.3	66	49.5 +0.2	54 -0.4				43.3	26.8 +0.3				4.5		
FMA-63-...-EN	70 +0.3	79	63 +0.2	68 -0.2				42.5	29.5 +0.3				4.8		

Ordering data

Nominal size	Pneumatic connection	Operating pressure	Display range		Part no.	Type
			Outer scale	Inner scale		

Display unit [bar]/[psi]						
40	G1/4	0 ... 10 bar	0 ... 10 bar	0 ... 145 psi	159596	FMA-40-10-1/4-EN
		0 ... 16 bar	0 ... 16 bar	0 ... 232 psi	159597	FMA-40-16-1/4-EN
50	G1/4	0 ... 2.5 bar	0 ... 2.5 bar	0 ... 36 psi	159598	FMA-50-2,5-1/4-EN
		0 ... 10 bar	0 ... 10 bar	0 ... 145 psi	159599	FMA-50-10-1/4-EN
		0 ... 16 bar	0 ... 16 bar	0 ... 232 psi	159600	FMA-50-16-1/4-EN
63	G1/4	0 ... 2.5 bar	0 ... 2.5 bar	0 ... 36 psi	159601	FMA-63-2,5-1/4-EN
		0 ... 10 bar	0 ... 10 bar	0 ... 145 psi	159602	FMA-63-10-1/4-EN
		0 ... 16 bar	0 ... 16 bar	0 ... 232 psi	159603	FMA-63-16-1/4-EN

Data sheet

Function



Temperature range
 -20 ... +60°C

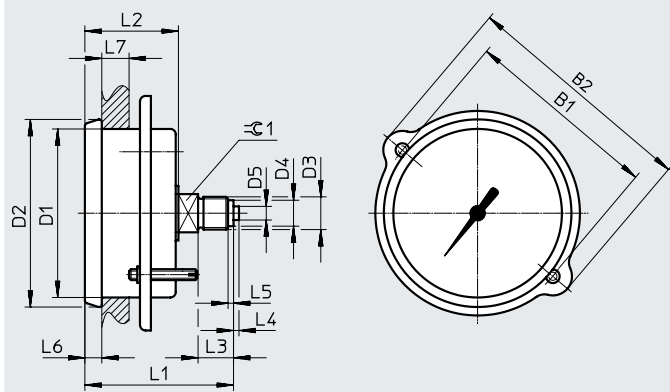

General technical data

Nominal size	63
Pneumatic connection	G1/4
Operating medium	Gaseous media Liquid media
Note on the operating/pilot medium	No oxygen No acetylene
Design	Capsule pressure gauge
Conforms to standard	EN 837-3
Type of mounting	Front panel mounting
Connection position	Centred, rear
Ambient temperature [°C]	-20 ... +60
Temperature of medium [°C]	-20 ... +80
Measurement accuracy class	1.6
Continuous load factor	0.75
Intermittent load factor	0.9
Degree of protection	IP43
Weight [g]	120

Materials

Housing	Steel
Inspection window	PMMA
Mounting ring/screws	Steel
Screwed trunnion	Brass

Dimensions

 Download CAD data → www.festo.com


Type	B1	B2	D1 ∅	D2 ∅	D3	D4 ∅	D5 ∅	L1	L2	L3	L4	L5	L6	L7 max.	≈ 1
FMA-63-0,25-C	72	86	61.8 ±0.5	68.8 ±0.5	G1/4	9.5	5	54.5 ±1	34.3 ±0.5	13 +0.3	2	2	6.2 ±0.5	10	14

Ordering data

Nominal size	Pneumatic connection	Operating pressure	Display range Outer scale	Inner scale	Part no.	Type
63	G1/4	0 ... 0.25 bar	0 ... 0.25 bar	0 ... 3.6 psi	225783	FMA-63-0,25-C

Flanged precision pressure gauge FMAP

Data sheet

Function



- - Temperature range
-20 ... +60°C



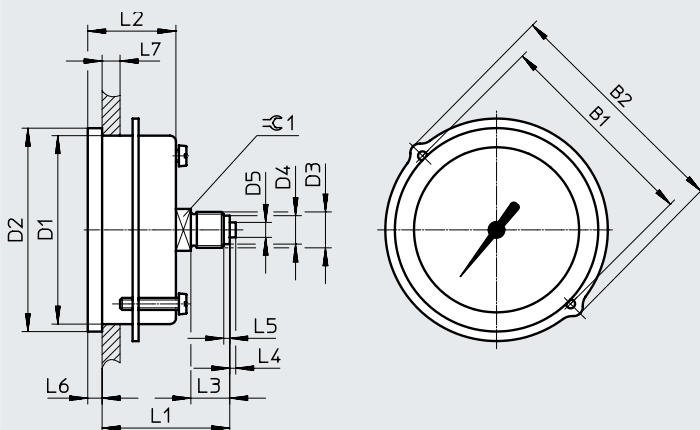
General technical data	
Nominal size	63
Pneumatic connection	G1/4
Operating medium	Inert gases Neutral fluids
Note on the operating/pilot medium	No oxygen No acetylene
Design	Bourdon tube pressure gauge
Conforms to standard	EN 837-1
Type of mounting	Front panel mounting
Connection position	Centred, rear
Ambient temperature [°C]	-20 ... +60
Temperature of medium [°C]	-20 ... +60 ¹⁾
Measurement accuracy class	1
Intermittent load factor	0.66
Degree of protection	IP43
Weight [g]	120

1) If the temperature of the medium used is below 0°C, ensure the operating medium is dry.

Materials	
Housing	ABS (colour: black)
Inspection window	SAN
Mounting ring	Steel
Screwed trunnion/ Materials in contact with the medium	Brass
Note on materials	RoHS-compliant

Dimensions

Download CAD data → www.festo.com



Type	B1	B2	D1 ∅	D2 ∅	D3	D4 ∅	D5 ∅	L1	L2	L3	L4	L5	L6	L7 max.	≈ 1
FMAP-63...-EN	70 +0.3	79	63 +0.2	68 -0.2	G1/4	9.5	5	42.5 ±1	29.5 +0.3	13 +0.3	2	2	4.8	15	14

Data sheet

Ordering data						
Nominal size	Pneumatic connection	Operating pressure	Display range		Part no.	Type
			Outer scale	Inner scale		
Display unit [bar]/[psi]						
63	G1/4	0 ... 1 bar	0 ... 1 bar	0 ... 15 psi	161129	FMAP-63-1-1/4-EN
		0 ... 4 bar	0 ... 4 bar	0 ... 58 psi	162843	FMAP-63-4-1/4-EN
		0 ... 6 bar	0 ... 6 bar	0 ... 87 psi	161130	FMAP-63-6-1/4-EN
		0 ... 16 bar	0 ... 16 bar	0 ... 232 psi	161131	FMAP-63-16-1/4-EN