


Sealing material

FESTO



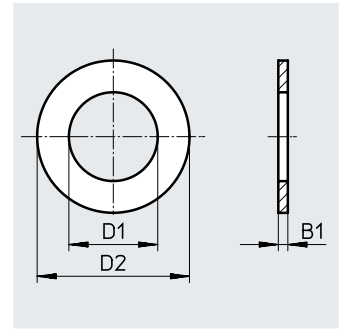
Data sheet

Sealing ring O

 Pressure -0.95 ... +10 bar

Material:
 Sealing ring O: Polyvinyl chloride
 Sealing ring O-M3-B: Polyamide

Note on materials:
 Free of copper and PTFE
 RoHS-compliant



Dimensions and ordering data								
For thread	Temperature range [°C]	Nominal tightening torque [Nm]	D1	D2	B1	Part no.	Type	PU ¹⁾
M3	-40 ... +100	-	2.8	4.8	0.3	30290	O-M3-B	1
M5	-10 ... +60	1.78 ±20%	5.1	8	1	3565	O-M5	1
						534226	O-M5-500	500
G1/8		10.55 ±20%	10	13	1.5	2223	O-1/8	1
						534227	O-1/8-500	500
G1/4		9.05 ±20%	13.2	18	2	2224	O-1/4	1
						534228	O-1/4-200	200
G3/8		38.5 ±20%	16.8	22	2	2225	O-3/8	1
						534229	O-3/8-200	200
G1/2		47.9 ±20%	21	28	2	2226	O-1/2	1
						534230	O-1/2-100	100
G3/4	45 ±20%	26.5	33	2	2227	O-3/4	1	
G1	-	-	33.3	38.9	2	210893	O-1	1

1) Packaging unit

Data sheet

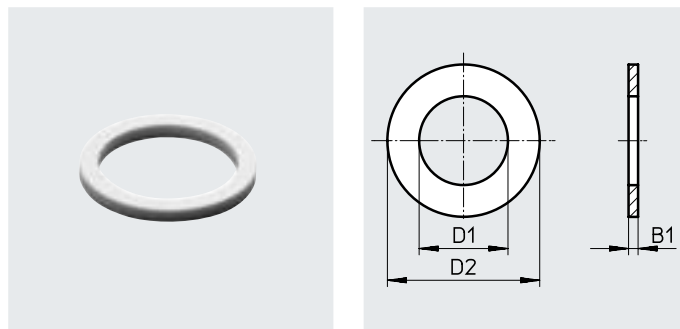
Sealing ring CRO

Sealing ring CRO for use in the chemical or food industries

Temperature range
-40 ... +80°C

Material:
Polyvinylidene fluoride

Note on materials:
RoHS compliant



General technical data

Mounting position	Any
-------------------	-----

Operating and environmental conditions

Operating medium	Compressed air to ISO 8573-1:2010 [7:-:-]
Note on operating/pilot medium	Lubricated operation possible
Ambient temperature [°C]	-40 ... +80
Food-safe ¹⁾	See supplementary material information

1) Additional information is available at www.festo.com/sp → Certificates.

Dimensions and ordering data



For thread	D1	D2	B1	Weight/piece [g]	Part no.	Type	PU ¹⁾
M5	5.1	8	1	0.05	165191	CRO-M5	1
G1/8	10	13	2	0.19	575895	CRO-1/8	1
G1/4	13.2	18	2	0.42	165193	CRO-1/4	1
G3/8	16.8	22	2	0.56	165194	CRO-3/8	1
G1/2	21	28	2	0.96	165195	CRO-1/2	1
G3/4	26.5	33	2	1.08	165196	CRO-3/4	1
G1	33.3	38.9	2	1.13	165197	CRO-1	1

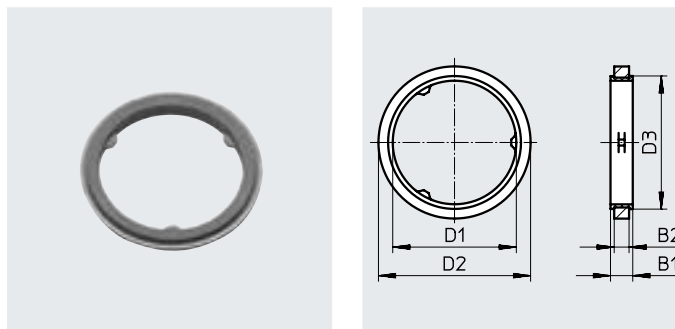
1) Packaging unit

Data sheet

Sealing ring OL

With metal housing

-  - Temperature range
-40 ... +100°C
-  - Pressure -0.95 ... +30 bar



- Based on standard ISO 16030
- Creates a seal when hand-tightened at room temperature
- Captive design
- Re-usable
- Compatible with the existing sealing rings O and OK

Operating and environmental conditions

Operating pressure for entire temperature range	[bar]	-0.95 ... +30
Ambient temperature	[°C]	-40 ... +100
Corrosion resistance CRC ¹⁾		2

1) Corrosion resistance class CRC 2 to Festo standard FN 940070

Moderate corrosion stress. Indoor applications in which condensation can occur. External visible parts with primarily decorative surface requirements which are in direct contact with a normal industrial environment.

Materials

Type	OL-M5	OL-M6	OL-M10, OL-M12, OL-M14, OL-M16, OL-M22	OL-1/8, OL-1/4	OL-3/8, OL-1/2, OL-3/4
Stop ring	High-alloy stainless steel	High-alloy stainless steel	Brass	High-alloy stainless steel	Aluminium
Seal	NBR				
Note on materials	Free of copper and PTFE RoHS-compliant	-	-	Free of copper and PTFE	Free of copper and PTFE

Dimensions and ordering data

For thread	Nominal tightening torque [Nm]	D1	D2	D3	B1	B2	Part no.	Type	PU ¹⁾
M5	3.25 ±20%	5.05	7.4	6.25	1.45	1	34634	OL-M5	1
							534231	OL-M5-500	500
M6	3.25 ±20%	6.05	8.4	7.25	1.55	1	161180	OL-M6	1
M10	13.5 ±20%	10.2	14	11.6	1.8	1.2	161181	OL-M10	1
M12	13.5 ±20%	12.2	16	13.8	2.1	1.5	161182	OL-M12	1
M14	21 ±20%	14.2	18	15.8	2.1	1.5	161183	OL-M14	1
M16	30 ±20%	16.2	21	18.8	2.6	2	165298	OL-M16	1
M22	49 ±20%	22.2	27	24.8	2.6	2	165299	OL-M22	1
G1/8	13.5 ±20%	9.8	12.8	11.1	1.8	1.3	33840	OL-1/8	1
							534232	OL-1/8-500	500
G	21 ±20%	13.2	16.8	14.4	2.2	1.6	34635	OL-1/4	1
							534233	OL-1/4-200	200
G3/8	30 ±20%	16.65	20.5	17.9	2.95	1.95	34636	OL-3/8	1
							534234	OL-3/8-200	200
G1/2	49 ±20%	21	25.5	22.2	2.6	1.95	34637	OL-1/2	1
							534235	OL-1/2-100	100
G3/4	69 ±20%	26.5	32	28.4	2.6	1.95	34638	OL-3/4	1


1) Packaging unit


Data sheet

Sealing ring OK

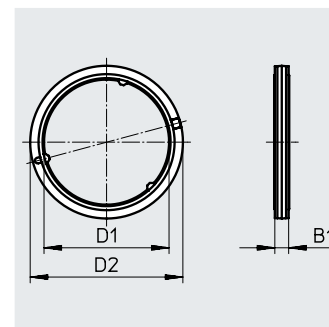
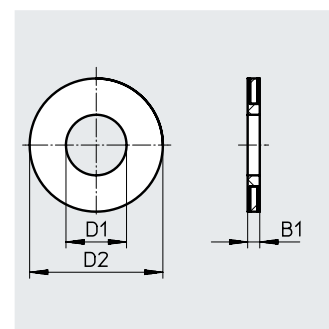
With support ring

- Based on standard ISO 16030
- Creates a seal when hand-tightened at room temperature and also when tightened using appropriate tools
- Captive design
- Compatible with the existing sealing rings O and OL

-  - Temperature range
-10 ... +60°C

-  - Pressure -0.95 ... +10 bar

Note on materials:
Free of copper and PTFE
RoHS-compliant

**Operating and environmental conditions**

Operating pressure for entire temperature range	[bar]	-0.95 ... +10
Operating medium		Compressed air to ISO 8573-1:2010 [7:4:4]
Note on operating/pilot medium		Lubricated operation possible (in which case lubricated operation will always be required)
Ambient temperature	[°C]	-10 ... +60
Corrosion resistance CRC ¹⁾		2

1) Corrosion resistance class CRC 2 to Festo standard FN 940070

Moderate corrosion stress. Indoor applications in which condensation can occur. External visible parts with primarily decorative surface requirements which are in direct contact with a normal industrial environment.

Dimensions and ordering data

For thread	Nominal tightening torque [Nm]	D1	D2	B1	Weight [g]	Part no.	Type	PU ¹⁾
Stainless steel, nitrile rubber								
M3	0.48 ±55%	2.5	5.0	0.5	0.1	130849	OK-M3	1
M5	1.33 ±20%	4.3	7.8	0.5	0.1	130850	OK-M5	1
M7	3.35 ±20%	6.4	9.8	0.5	0.1	130851	OK-M7	1
Polyamide, thermoplastic polyurethane								
G1/8	3.5 ±20%	9.9	13.2	1.60	0.12	531771	OK-1/8	1
G1/4	11 ±10%	13.3	18.3	2.20	0.32	531772	OK-1/4	1
G3/8	12.5 ±20%	16.8	22.3	2.20	0.44	531773	OK-3/8	1
G1/2	14 ±20%	21.2	26.7	2.35	0.6	531774	OK-1/2	1
G3/4	35 ±10%	26.7	32.6	2.95	1	531775	OK-3/4	1

1) Packaging unit

Data sheet

Sealing ring assortment OL-S1

This box of polymer sealing rings contains sealing rings OL ranging in size from M5 to G3/4, ensuring the right sealing ring is available.



Ordering data					
Contents	Pieces	Nominal tightening torque [Nm]	Part no.	Type	
OL-M5	50	3.25 ±20%	161355	OL-S1	
OL-1/8	100	13.5 ±20%			
OL-1/4	100	21 ±20%			
OL-3/8	40	30 ±20%			
OL-1/2	30	49 ±20%			
OL-3/4	10	69 ±20%			

Sealing ring assortment OK-S1

This sealing ring assortment contains sealing rings OK ranging in size from M3 to G3/4, ensuring the right sealing ring is available.



Note on materials:
RoHS-compliant

Ordering data					
Contents	Pieces	Nominal tightening torque [Nm]	Weight [g]	Part no.	Type
OK-M3	50	0.48 ±55%	0.1	570465	OK-S1
OK-M5	100	1.33 ±20%	0.1		
OK-M7	50	3.35 ±20%	0.1		
OK-1/8	100	3.5 ±20%	0.12		
OK-1/4	100	11 ±10%	0.32		
OK-3/8	40	12.5 ±20%	0.44		
OK-1/2	30	14 ±20%	0.6		
OK-3/4	10	35 ±10%	1		

Data sheet

Thread sealing tape **GWB-0,1**

Ordering data				
Width [mm]	Thickness [mm]	Length [m]	Part no.	Type
10	0.1	12.5	9076	GWB-0,1