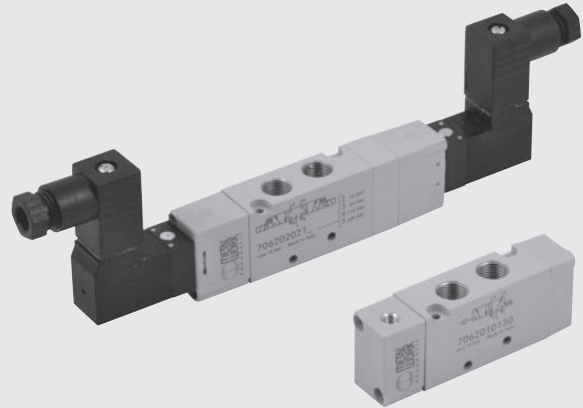


VALVES MACH 16

Available in size 1/8" only, versions 5/2 and 5/3 and with pneumatic and solenoid actuation. The Mach 16 valve is a typical small size valve, only 16 mm wide, with excellent performance 750 NI/min flow rate at 6 bar ΔP 1 bar.

The valve can be used in line, on a panel or on a base (multiple or manifold) The Mach design is the result of the miniaturisation concept with the same durability, sturdiness and reliability.

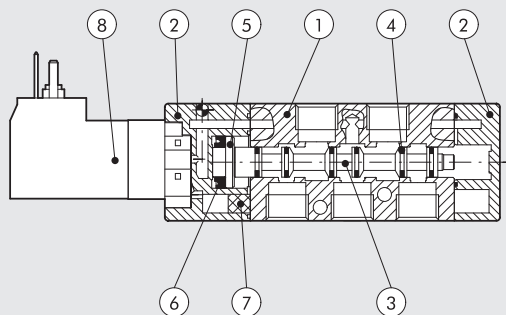


TECHNICAL DATA

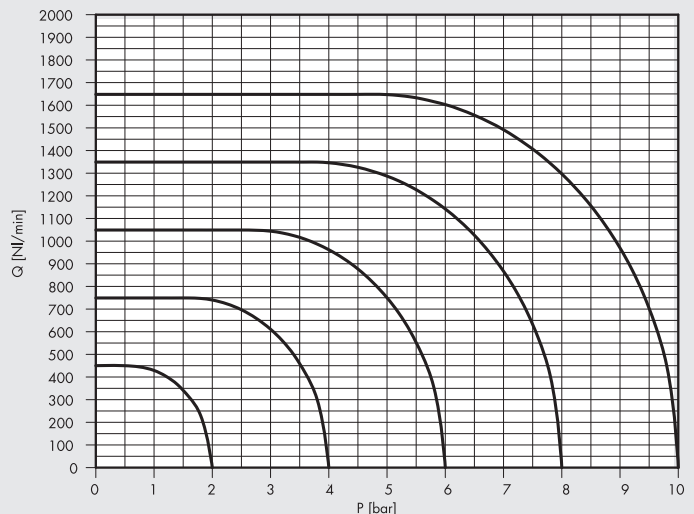
Valve port thread	1/8"
Type of control	M5 pneumatic actuation - Solenoid/pneumatic operation with integrated coil
Maximum outer diameter of gaskets for ports 1 - 3 - 5	mm 15
Maximum outer diameter for ports 2 - 4	mm 15
Operating temperature range	°C -10 to +60
Minimum pressure pilot-pneumatic controls	bar Monostable with pneumatic spring: see picture on page B1.98 1.6 bar for monostable valves – mechanical spring 1 bar for bistable valves – 1.9 bar for valves 5/3 vacuum -10
Operating pressure	bar Filtered lubricated or unlubricated air lubrication, if used, must be continuous ISO e UNI FD22
Fluid	Integrated coil DIN 43650 C shape
Recommended lubricant	Monostable on solenoid pilot (with bistable manual valve on request)
Solenoid pilot	1-3-5 and pilot exhaust
Manual	2 screws M3
Number of ways in base	2 screws M2.5x30
Screws for wall-mounting single valve	In any position (vertical assembly is not recommended for bistable valves subjected to vibration)
Screws for base-mounting valve	
Installation	
Flow rate at 6 bar ΔP 0.5 bar	NI/min 540
Flow rate at 6 bar ΔP 1 bar	NI/min 750
Conductance C	NI/min · bar 149.8
Critical ratio b	bar/bar 0.525
Compatibility with oils	See chapter Z1

COMPONENTS

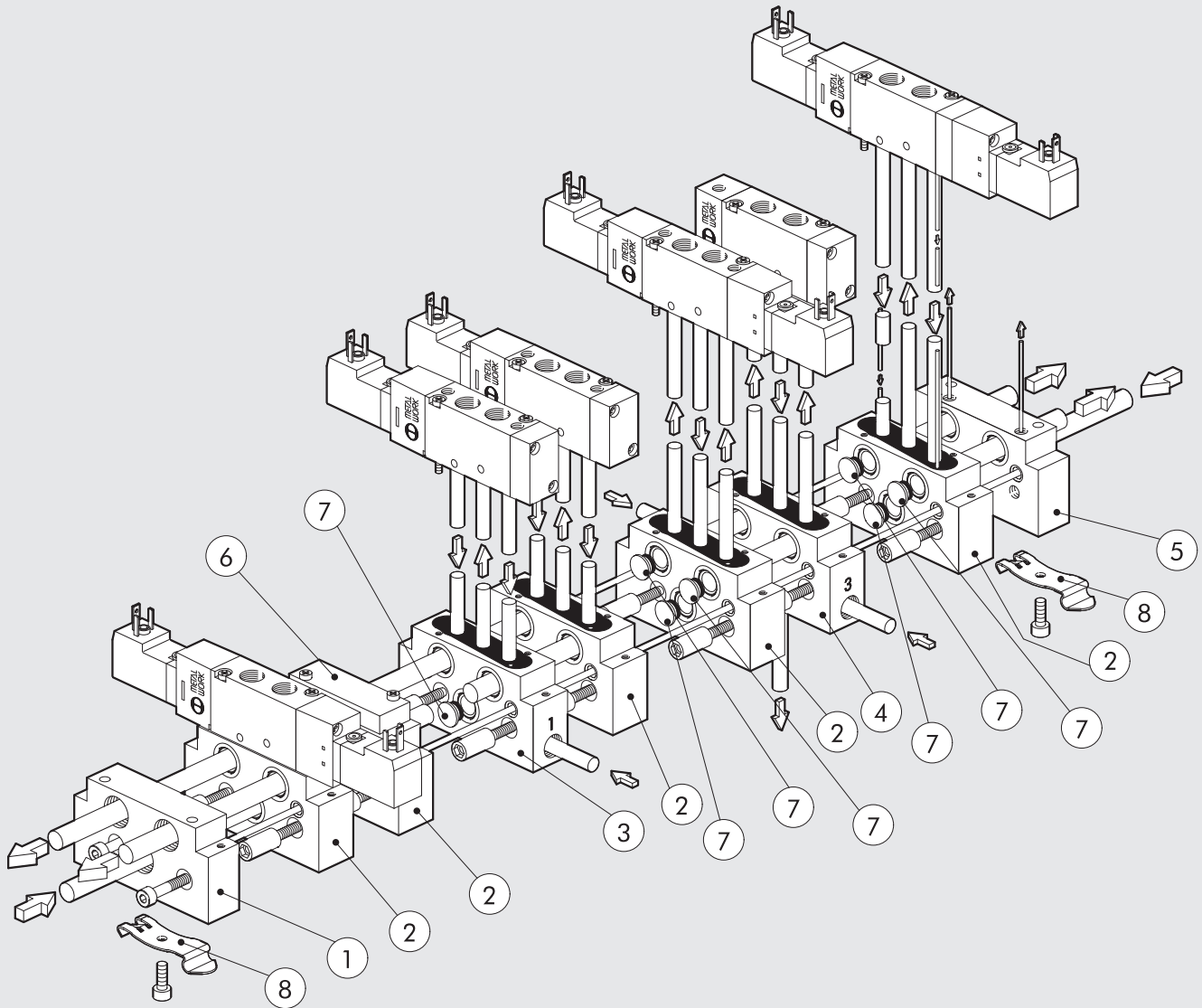
- ① VALVE BODY: Aluminium
- ② CONTROL/BASE: Hostaform®
- ③ SPOOL: Aluminium
- ④ GASKETS: Polyurethane
- ⑤ PISTONS: Hostaform®
- ⑥ PISTON GASKET: Polyurethane
- ⑦ INTERFACE GASKETS: NBR nitrile rubber
- ⑧ PILOT: with integrated coil



FLOW CHART



MANIFOLD BASES



VALVES
VALVES MACH 16

Reference	Code	Description
①	0227100201	M16/VDMA Input end-plate kit
②	0227100150	M16 manifold base kit
③	0227100301	M16 separate feed manifold base kit
④	0227100302	M16 exhaust feed manifold base kit
⑤	0227100200	M16/VDMA output end-plate kit
⑥	0225004500	M16 blanking plate
⑦	0227100000	Intermediate diaphragm
⑧	0227300600	Connection bracket on DIN-bar

SYNOPTIC, SIZES AND VERSIONS

M S V FAMILY	2 DIMENSIONS	5 FUNCTION	S O OPERATORS 14	B RESETTING 12	O O FURTHER DETAILS	2 4 V D C VOLTAGE
MSV solenoid/pneumatic MPV pneumatic	2 1/8"	5 5/2 6 5/3	SO solenoid/pneumatic SE solenoid pilot PN pneumatic	P pneumatic spring S mechanical springs B bistable	OO no indication CC closed centres OC open centres PC pressure centres	24VDC 24VAC 110VAC 220VAC