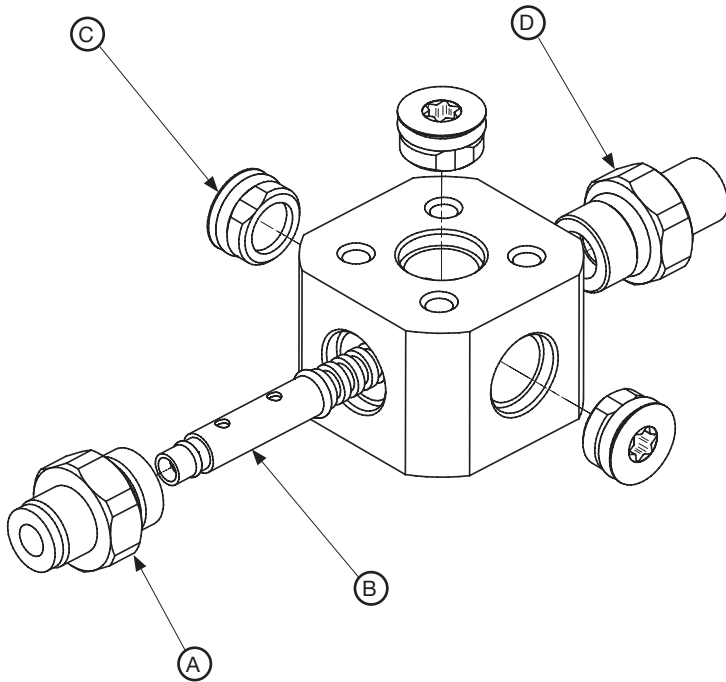


PARTS



Piab gives you service all over the world.
To find your local distributor, please visit
www.piab.com

No need to compromise

www.piab.com

Art. No. 0200603 rev04
Piab AB, 2017-09

MANUAL

COAX®
in
piGRIP®



 piab

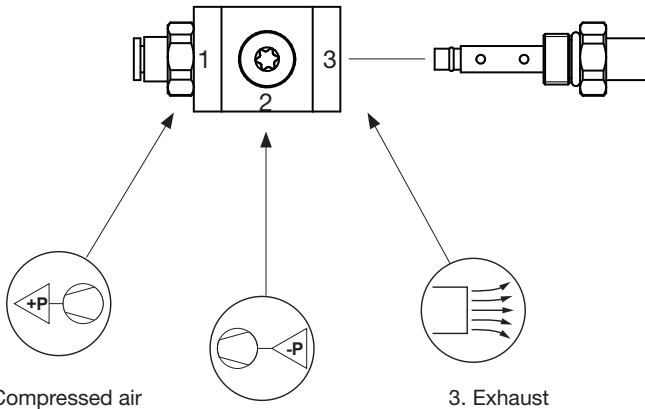
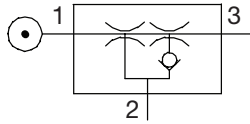
Spare parts

| Pos. | Description | Art. No. |
|------|--|----------|
| A | Straight connector G1/8" D=4 with o-ring | 0200475 |
| B | COAX® cartridge MICRO Bi03-2 | 0106966 |
| B | COAX® cartridge MICRO Si02-2 | 0113591 |
| B | COAX® cartridge MICRO Ti05-2 | 0123098 |
| B | COAX® cartridge MICRO Xi2.5-2 | 0120297 |
| C | Plug low G1/8" cpl. 10pcs | 0200678 |
| D | Holding cap COAX® in piGRIP with o-ring | 0200474 |

Accessories

| Description | Art. No. |
|------------------------|----------|
| 4x M4 top, flush mount | 0106915 |
| M8 16 mm | 0106927 |
| M8 27 mm, profile kit | 0106949 |
| M6 22 mm, profile kit | 0108488 |

INSTALLATION/CONNECTION

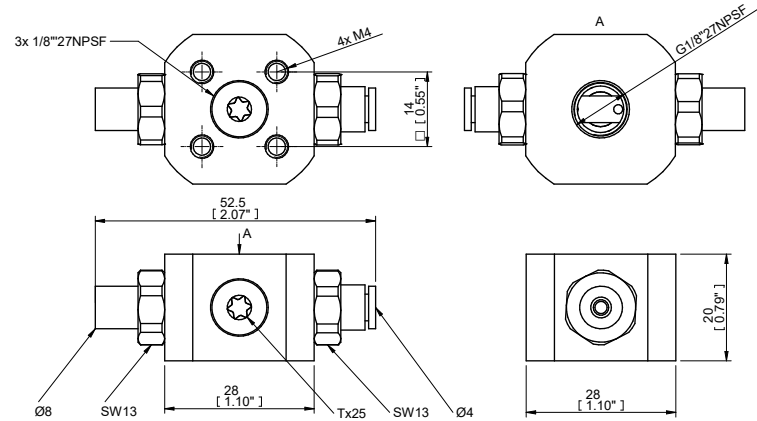


1. Compressed air

2. Vacuum

3. Exhaust

DIMENSIONS



| COAX® cartridge | Feed pressure MPa [psi] | Max. vacuum -kPa [-inHg] |
|-----------------|----------------------------|-----------------------------|
| Bi03-2 | 0.18 [26.1] | 83 [24.5] |
| Si02-2 | 0.60 [87.0] | 75 [22.2] |
| Xi2.5-2 | 0.50 [72.5] | 92 [27.2] |
| Ti05-2 | 0.6 [87.0] | 75 [22.2] |



(GB) Safety

(DK) Advarselsymboler

(DE) Warnsymbole

(ES) Señales de advertencia

(FR) Sécurité

(IT) Segnali di avvertenza

(NL) Waarschuwingssymbolen

(NO) Sikkerhet

(PT) Sinais Avisadores

(SE) Säkerhet

(FI) Varoitusmerkit