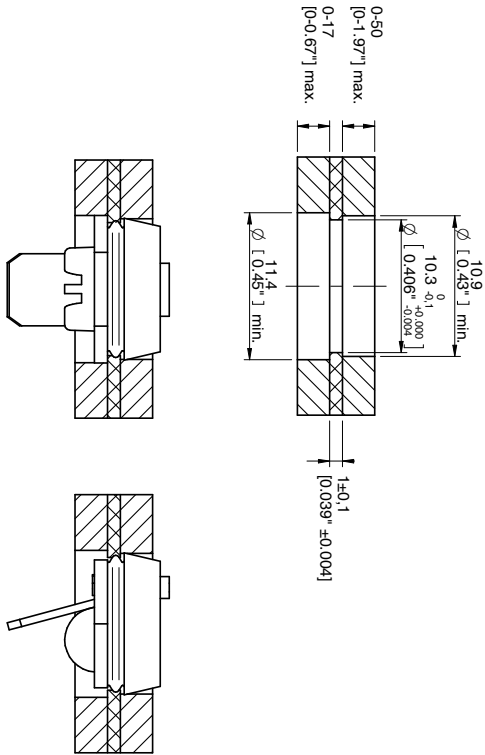


MOUNTING DIMENSIONS CUSTOM CAVITY



Piab gives you service all over the world.
To find your local distributor, please visit
www.piab.com

No need to compromise

www.piab.com

Art. No. 0202773, Rev06
Piab AB, 2015-01

MANUAL

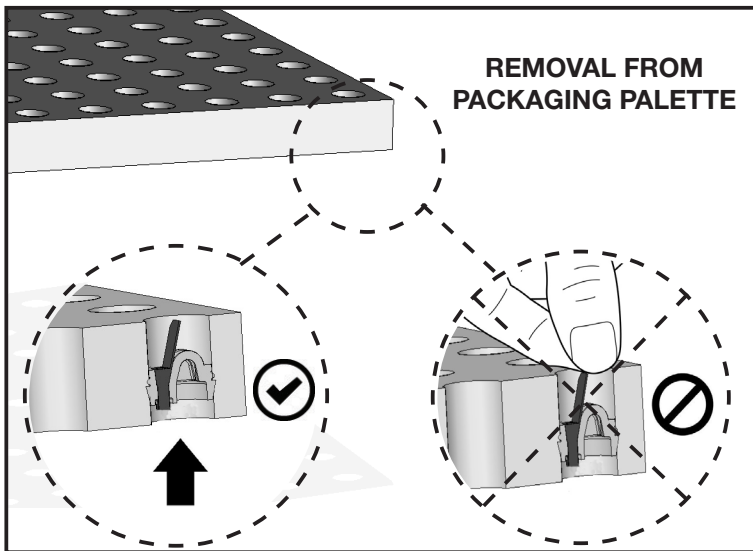
piSAVE™ sense



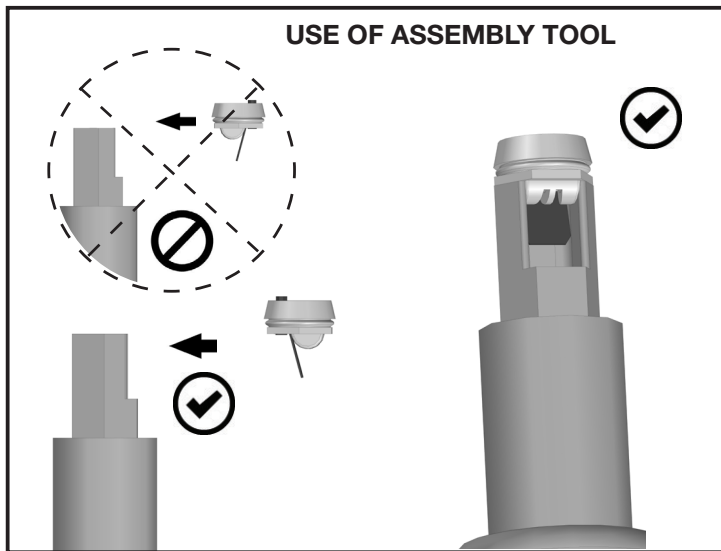
ORDERING INFORMATION

Description	Art. No.
piSAVE™ sense 02/60 (yellow), 10p, incl. Ass. tool	0202394
piSAVE™ sense 03/60 (green), 10p, incl. Ass. tool	0202424
piSAVE™ sense 04/60 (blue), 10p, incl. Ass. tool	0202425
piSAVE™ sense 05/60 (red), 10p, incl. Ass. tool	0202426
piSAVE™ sense 02/60 (yellow), 100p, incl. Ass. tool	0202395
piSAVE™ sense 03/60 (green), 100p, incl. Ass. tool	0202427
piSAVE™ sense 04/60 (blue), 100p, incl. Ass. tool	0202428
piSAVE™ sense 05/60 (red), 100p, incl. Ass. tool	0202429
piSAVE™ sense Multiple port fitting 02/60 (yellow)	0202396
piSAVE™ sense Multiple port fitting 03/60 (green)	0128719
piSAVE™ sense Multiple port fitting 04/60 (blue)	0128731
piSAVE™ sense Multiple port fitting 05/60 (red)	0128733
piSAVE™ sense Assembly tool 16 mm	0202589

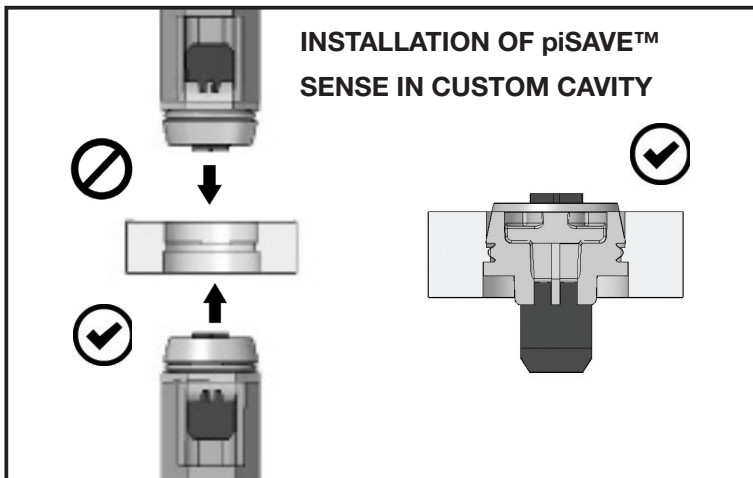
**REMOVAL FROM
PACKAGING PALETTE**



USE OF ASSEMBLY TOOL



**INSTALLATION OF piSAVE™
SENSE IN CUSTOM CAVITY**



INSTALLATION OF piSAVE™ SENSE IN piGRIP® FITTING

