

# MANUAL

## Level Compensator LC30 EOAT

Piab gives you service all over the world.  
To find your local distributor, please visit [www.piab.com](http://www.piab.com).

No need to compromise.



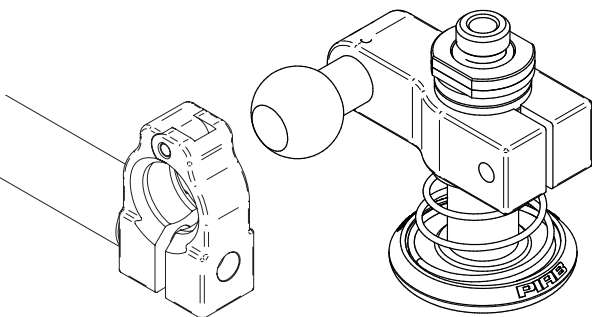
Art. No.0205319 01  
Piab AB, 2015-04

[www.piab.com](http://www.piab.com)

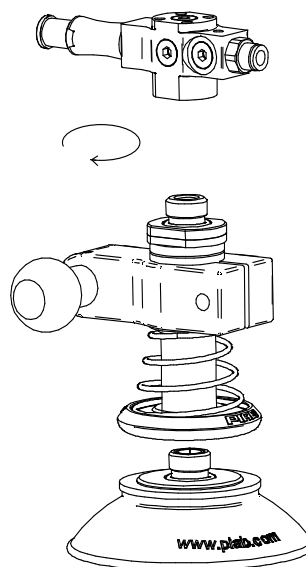


### Installation

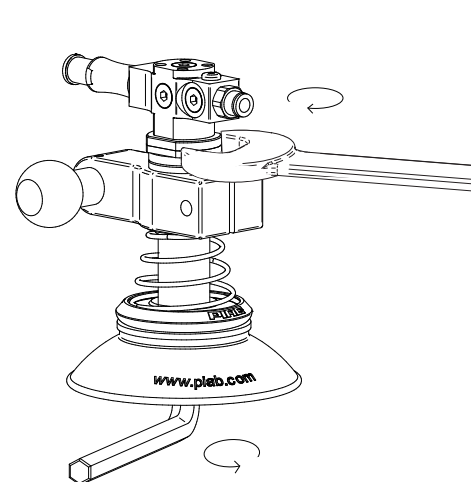
1



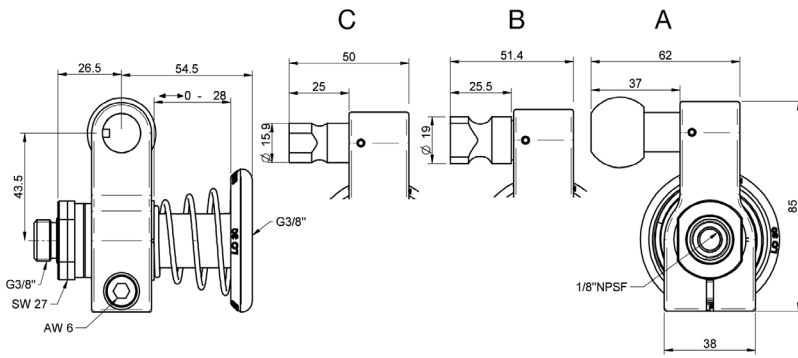
2



3

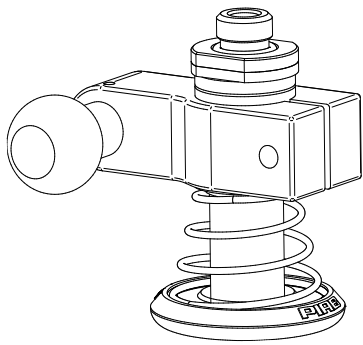


# Dimensioned drawings

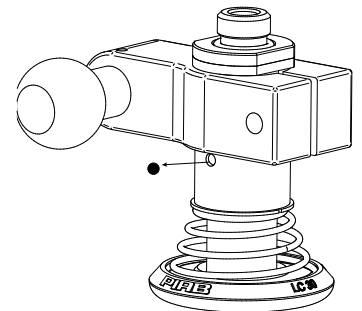
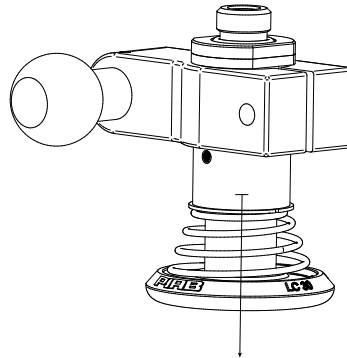


	Description	Art.No.	US Ref. No.
A	Level compensator LC30 w ball joint LH	0124213	01.24.213
B	Level compensator LC30 w lock pin 19 LH	0124214	01.24.214
C	Level compensator LC30 w lock pin 16 LH	0124215	01.24.215

## Operation – Non-rotating/rotating

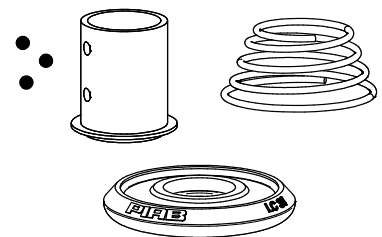
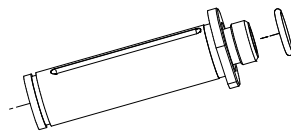
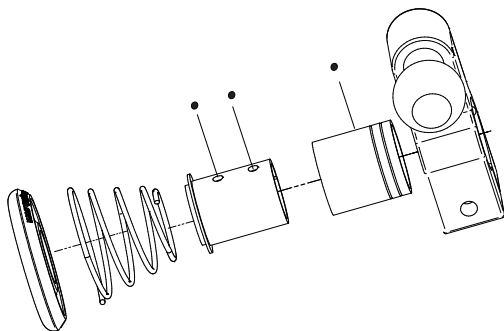


~~360°~~  
Non-rotating



360°  
Rotating

## Maintenance & spare parts



Description	Art.No.	US Ref. No.
Spare parts kit LC30	0111592	01.11.592