

# Manual

# piSTAMP

Vacuum ejector

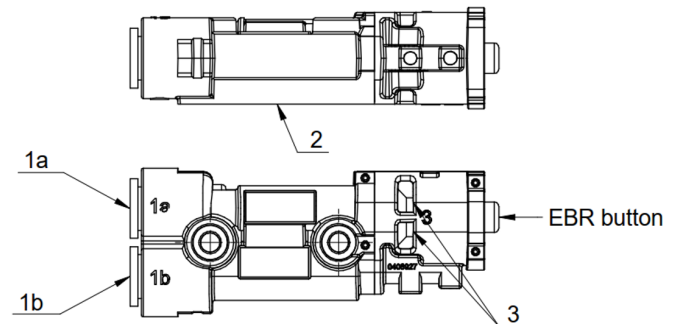
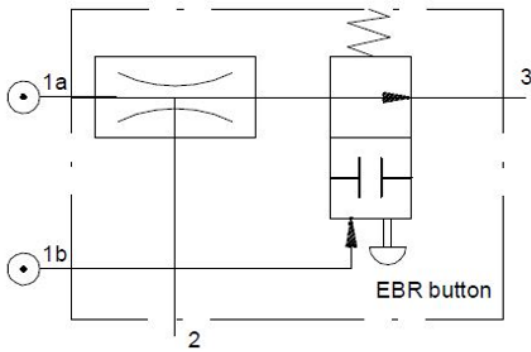
Art.No. 0207770, 0207771, 0207772, 0208766, 0208767, 0208768

with Enhanced Blow-Off

Art.No. 0212890, 0212891, 0212892, 0212893, 0212894, 0212895



# 1. Installation and connections



## Recommended hose (outer) diameter

Connection		Art. No.	Hose diameter		
			0207771, 0208767 0212891, 0212894	0207772, 0208768 0212892, 0212895	
1a	Compressed air	0207770, 0208766 0212890, 0212893	8 mm	6 mm	1/4"
1b	Compressed air (pilot air for release)		8 mm	6 mm	1/4"
2	Vacuum		8 mm	6 mm	1/4"
3	Exhaust		-	-	-

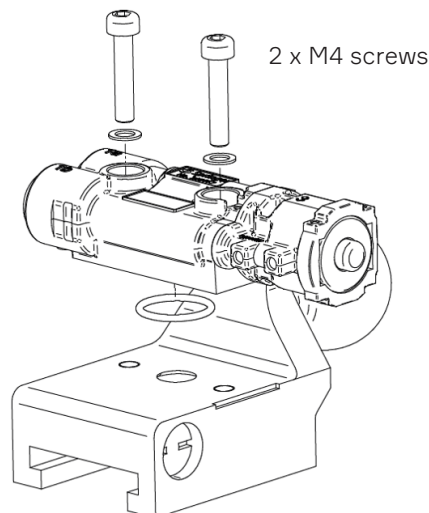
## Feed pressure and vacuum level

Cartridge	Feed pressure optimum	Feed pressure range	Max. vacuum level
	-MPa [-psi]	-MPa [-psi]	-kPa [-inHg]
COAX® MICRO Ti05-2 x 2	0.5 [73]	0.3-0.7 [44-102]	81 [23.9]
STX0785 x 2	0.5 [73]	0.3-0.7 [44-102]	84 [24.8]

## Technical data

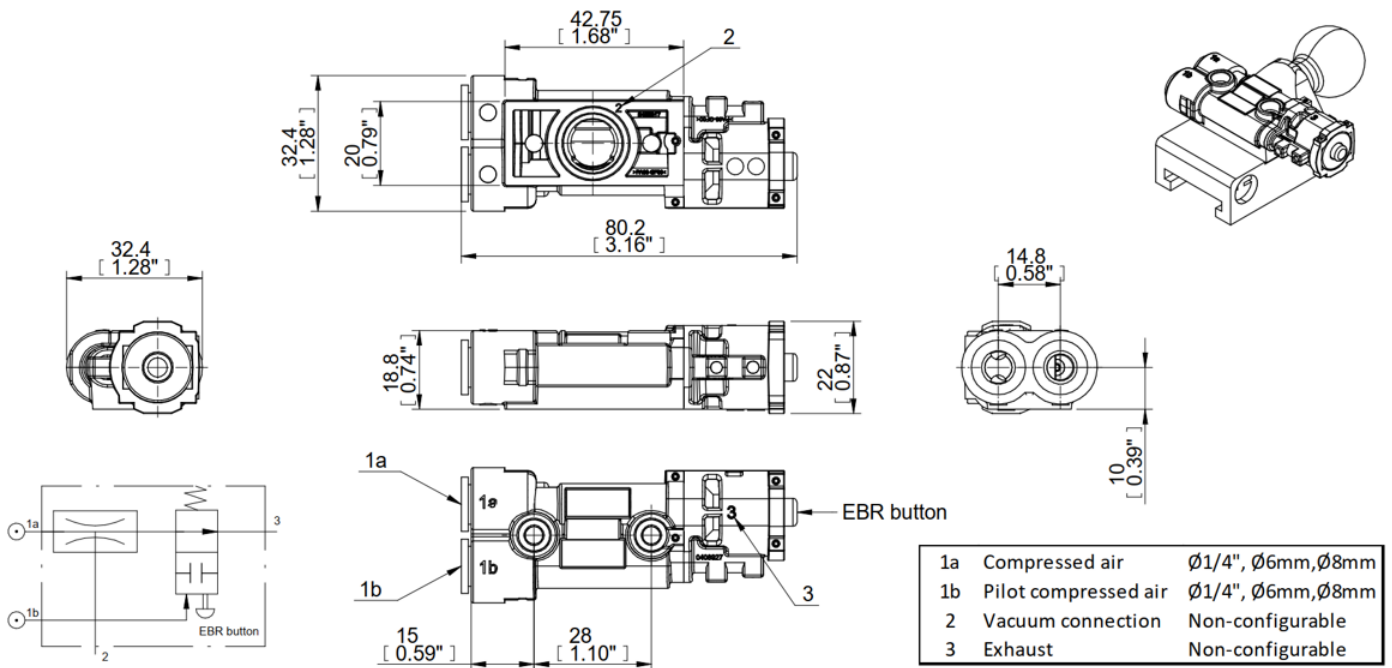
Description	Unit	Value
Material	-	PA, CuZn, SS, TPE, POM, HNBR, NBR
Weight	g [oz]	45-49 [1.587-1.728]
Temperature	°C [°F]	0-50 [32-122]

# 2. Mounting

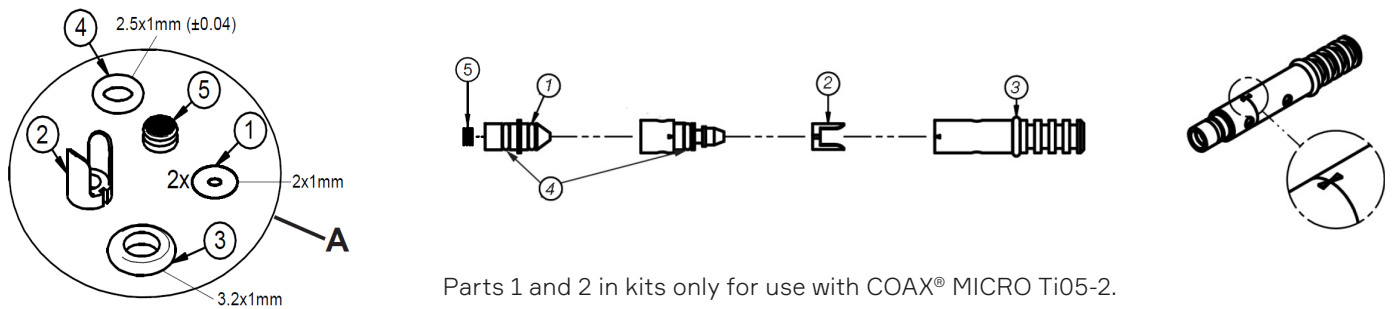


Example of mounting the ejector on a bracket from an external supplier. The bracket is not included.

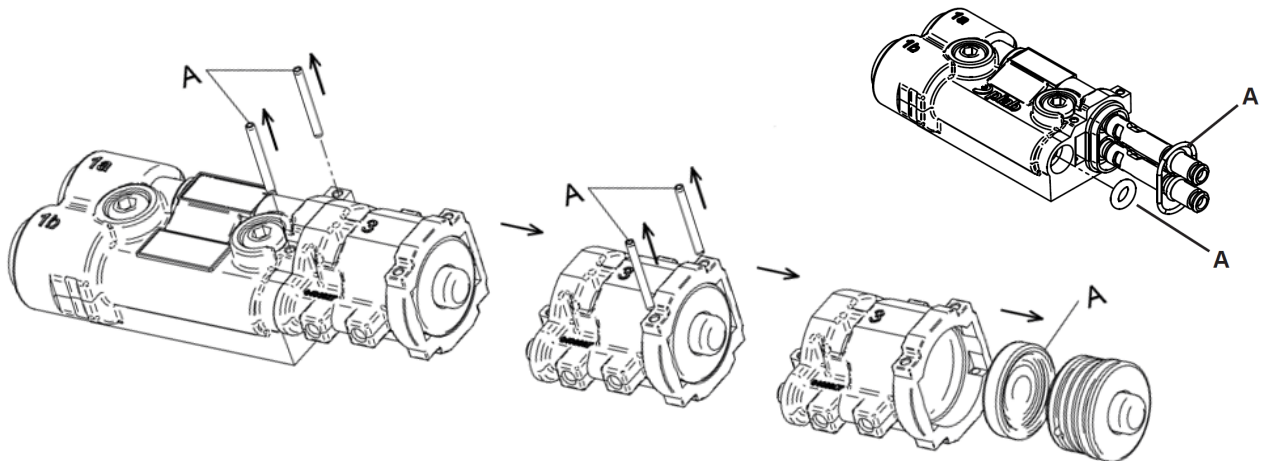
### 3. Dimensions



### 4. Spare Parts and Dismounting



Pos.	Description	Art. No.
A	Spare part kit piINLINE®plus EBR/piSTAMP 50° Shore (For new ejectors with the EBR button)	0242338
A	Spare part kit piINLINE®plus EBR/piSTAMP (For ejectors without the EBR button)	0207932



## 5. Safety instructions

(GB)	Safety
(DK)	Advarselsymboler
(DE)	Warnsymbole
(ES)	Señales de advertencia
(FR)	Sécurité
(IT)	Segnali di avvertenza
(NL)	Waarschuwingssymbolen
(NO)	Sikkerhet
(PT)	Sinais Avisadores
(SE)	Säkerhet
(PL)	Bezpieczeństwo
(FI)	Varoitusmerkit
(RU)	Безопасность
(ZH)	安全
(KO)	안전
(JP)	安全性



### Warning!

- Exhaust
- Udblæs
- Abluft
- Aire procedente
- Evacuation de l'air
- Aria di scarico
- Uitlaatlucht
- Eksos
- Saida de ar
- Utblås
- Poistoilma
- Wylot
- Выхлоп
- 排气
- 배기
- 排気口



### Warning!

- Vacuum force
- Vakuumkraft
- Vakuumkraft
- Fuerza de vacío
- Force d'aspiration
- Potenza di aspirazione
- Vakuumkracht
- Vakuumkraft
- Vácuo ligado
- Vakuumkraft
- Sita ssania
- Voimakas imu
- Сила вакуума
- 真空吸力
- 진공흡입력
- 真空力



### Warning!

- Unrestricted exhaust
- Forbudt blokere udblæsningen
- Abluft nicht blockieren
- Prohibido bloquear la salida del aire
- Interdit de bloquer l'évacuation de l'air
- Lo scarico della pompa non deve essere ostruito
- Pomputlaat vrijhouden
- Forbudt å blokkere eksos
- O escape da bomba deve ser livre
- Förbjudet blockera utblås
- Ulospuhalluksen esto kielletty
- Nieograniczony wylot
- Неограниченный выхлоп
- 自由排气
- 무제한 배기
- 無制限の排気