

Piab gives you service all over the world.  
To find your local distributor, please visit [www.piab.com](http://www.piab.com).

No need to compromise.

[www.piab.com](http://www.piab.com)

Art. No. 3211127, Rev.3  
Piab AB, 2015-01 / Printed in Sweden by Elanders

# MANUAL

## Vacuum pump CHIP

L7, L14, L28, M5, M5L, M10, M10L,  
M20, M20L, X5, X5L, X10, X10L, X20, X20L



(GB) Safety  
(DK) Advarselsymboler  
(DE) Warnsymbole  
(ES) Señales de advertencia

(FR) Sécurité  
(IT) Segnali di avvertenza  
(NL) Waarschuwingsymbolen  
(NO) Sikkerhet

(PT) Sinais Avisadores  
(SV) Säkerhet  
(FI) Varoitusmerkit  
(日) 安全性に関して

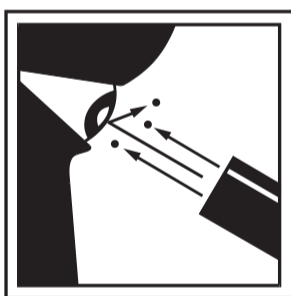
(GB) Warranty  
(DK) Garanti  
(DE) Garantie  
(ES) Garantía

(FR) Garantie  
(IT) Garanzia  
(NL) Garantie  
(NO) Garanti

(PT) Garantia  
(SE) Garanti  
(FI) Takuu  
(日) 保証に関して



- Vacuum force
- Vakuumkraft
- Vakuumkraft
- Fuerza de vacío
- Force d'aspiration
- Potenza di aspirazione
- Vacuumkracht
- Vakuumkraft
- Vácuo ligado
- Vakuumkraft
- Voimakas imu
- 真空力



- Exhaust
- Udblæs
- Abluft
- Aire procedente
- Evacuation de l'air
- Aria di scarico
- Uitlaatlucht
- Eksos
- Salida de ar
- Utblås
- Poistoilma
- 排気



- Unrestricted exhaust
- Forbudt blokere udblæsningen
- Abluft nicht blockieren
- Prohibido bloquear la salida del aire
- Interdit de bloquer l'évacuation de l'air
- Lo scarico della pompa non deve essere ostruito
- Pompuitlaat vrijhouden
- Forbudt å blokkere eksos
- O escape da bomba deve ser livre
- Förbjudet blockera utblås
- Ulospuhalluksen esto kielletty
- 排気口を塞がないで下さい。

(GB) The Piab Vacuum Pump has a 5 year warranty against manufacturing defects. The warranty is valid for the vacuum pump only and covers no other costs.

(DK) Piab vakuumpumper har 5 års garanti mod fabriktionsfejl. Garantien gælder kun vakuumpumperne, men ikke andre omkostninger eller fragtomkostninger.

(DE) Bei Herstellungsfehlern an der Piab Vakuumpumpe geben wir 5 Jahre Garantie. Verschleißteile wie z.B. Filter sind ausgeschlossen.

(ES) La bomba de vacío Piab tiene una garantía de 5 años contra defectos de fabricación. La garantía es válida para la bomba de vacío solamente sin cubrir gastos extras.

(FR) La pompe à vide Piab est garantie 5 ans contre les défauts de fabrication. La garantie est valable uniquement pour la pompe, et ne couvre pas d'autres frais, par exemple les frais d'expédition.

(IT) La pompa a vuoto Piab ha 5 anni di garanzia contro i difetti di fabbricazione. La garanzia e' valida solo per la pompa a vuoto e non copre altri costi.

(NL) Piab vacuümpompen hebben een garantietermijn tegen fabricagefouten van 5 jaar. De garantie geldt alleen voor de pomp en dekt geen andere kosten.

(NO) Piab Vakuumpumper har 5 års garanti mot fabriktionsfeil. Garantien gjelder kun vakuumpumpen og dekker ikke andre kostnader eller fraktkostnader.

(PT) As bombas de vacuo Piab têm 5 anos de garantia contra defeitos de fabrico. A garantia e' válida somente para as bombas de vacuo não cobrindo outros custos.

(SE) Piab Vakuumpump har 5 års garanti mot fabriktionsfel. Garantien omfattar enbart vakuumpumpen och täcker ej andra kostnader eller fraktkostnader.

(FI) Piab-tyhjöpumpuilla on 5-vuoden takuu koskien valmistusvirheitä. Takuu koskee ainoastaan tyhjöpumpua, eikä peitä muita kustannuksia taikka lähetyskuluja.

(日) ピアブのポンプには製造上の欠陥に限り五年間の保証があります。保証はポンプのみ有効です。

# 1. INSTALLATION/CONNECTION

## RECOMMENDED HOSE DIMENSIONS IN MM [IN.] (INTERNAL DIAMETER)

Connections	Design	L = 2 m	[7 ft]	L = 10 m	[30 ft]
1. Compressed air	L7, M5, M10, X5, M5L, M10L, X5L	>2	[0.08"]	>4	[0.20"]
	L14, M20, X10, M20L, X10L	>4	[0.16"]	>6	[0.20"]
	L28, X20, X20L	>4	[0.16"]	>8	[0.32"]
2. Vacuum	M5, X5, X10, M5L, X10L, X5L	>5	[0.20"]	>8	[0.32"]
	L7, M10, M10L	>8	[0.32"]	>10	[0.39"]
	L14, M20, X20, M20L, X20L	>10	[0.39"]	>12	[0.47"]
	L28	>12	[0.47"]	>15	[0.59"]
3. Exhaust	M5, X5, X10, M5L, X10L, X5L	>8	[0.32"]	>12	[0.47"]
	L7, M10, M10L	>10	[0.39"]	>12	[0.47"]
	L14, M20, X20, M20L, L28, X20L	>12	[0.47"]	>15	[0.59"]

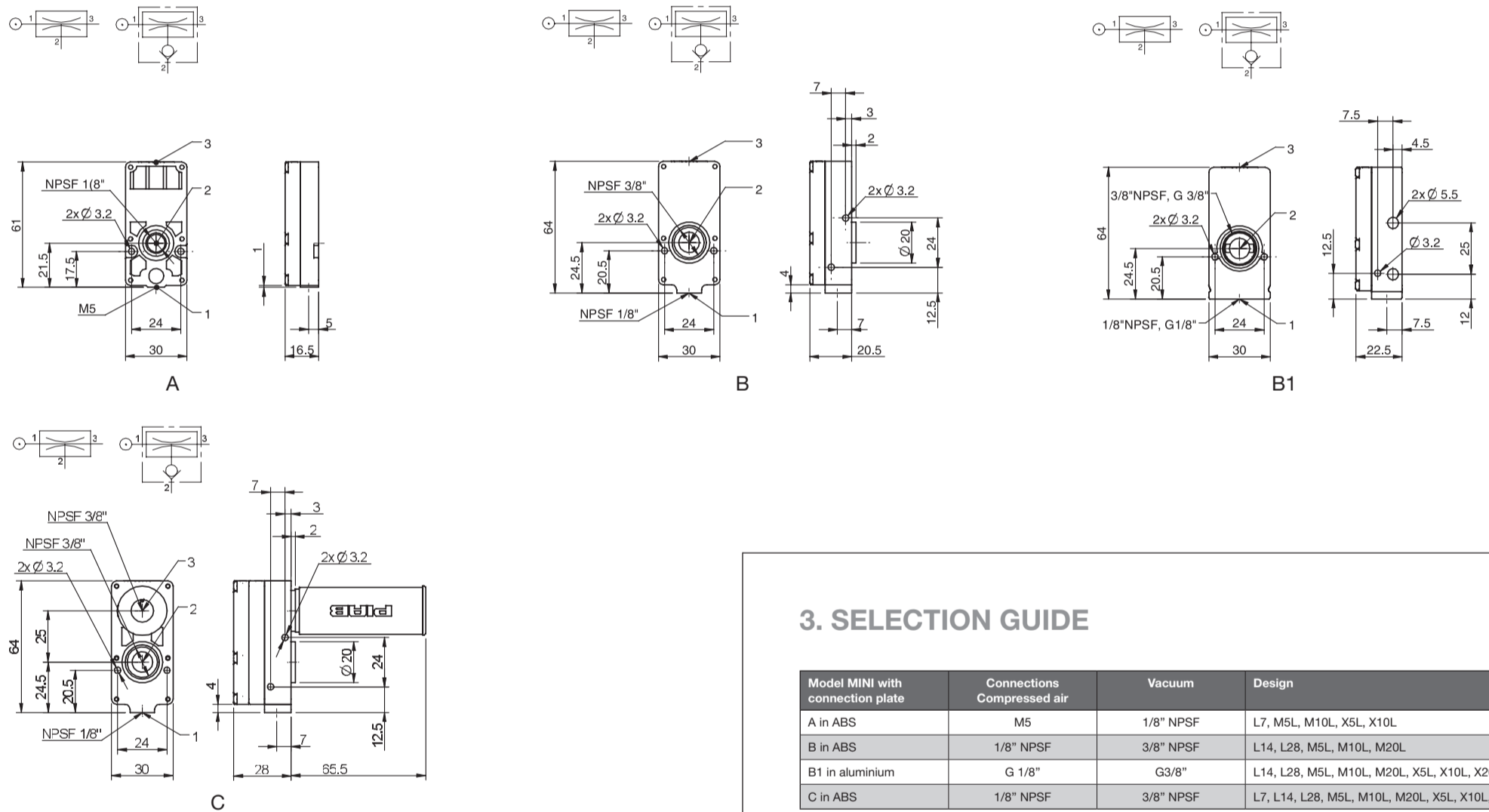
## FEED PRESSURE

Design	MPa [psi]
M5, M10, M20	0.4-0.6 [58-87]
M5L, M10L, M20L	0.38-0.6 [55-87]
X5, X10, X20	0.5 [72.5]
X5L, X10L, X20L	0.4 [58.1]
L7, L14, L28	0.6 [87]



No conical threads

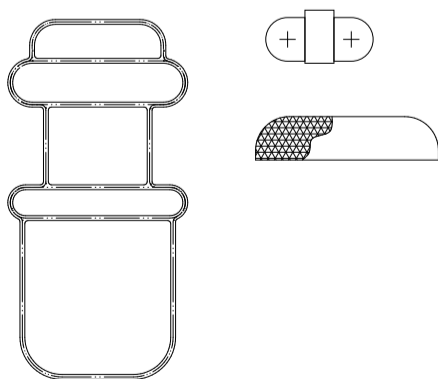
# 2. DIMENSIONS



## 3. SELECTION GUIDE

Model MINI with connection plate	Connections Compressed air	Vacuum	Design
A in ABS	M5	1/8" NPSF	L7, M5L, M10L, X5L, X10L
B in ABS	1/8" NPSF	3/8" NPSF	L14, L28, M5L, M10L, M20L
B1 in aluminium	G 1/8"	G3/8"	L14, L28, M5L, M10L, M20L, X5L, X10L, X20L
C in ABS	1/8" NPSF	3/8" NPSF	L7, L14, L28, M5L, M10L, M20L, X5L, X10L, X20L

# 4. SPARE PARTS AND ACCESSORIES



Description	Art. No.
Spare part kit MINI pumps 5 - 28, NBR	3201097
Spare part kit MINI pumps 5 - 28, EPDM	3201097E
Spare part kit MINI pumps 5 - 28, Viton®	3201097V

Kits include flap valves, gaskets and compressed-air filters.

