



Numer produktu: 0212848

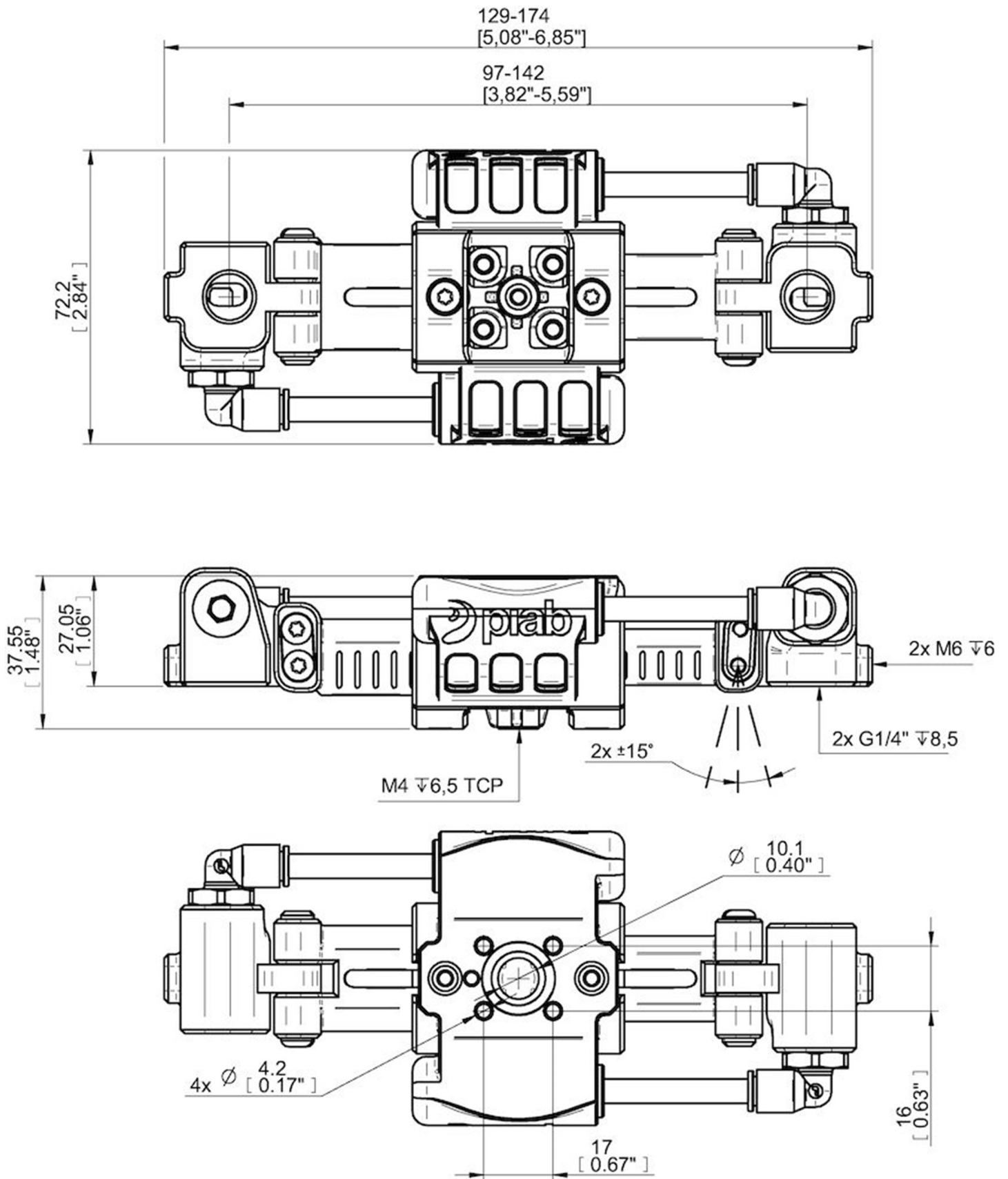
Adjustable gripper - Interface 16x17

- Flexible and Adjustable gripper to perfectly match application needs.
- Optimized design for high reliability and fast cycle times.
- Re-configurable within 2 minutes.
- Flexible and stepless adjustability in suction cup distance.
- Integrated piSAVE® sense technology allowing for single and/or double picking.
- Stepless angle adjustability of individual suction cups. Allows for maximum adaption to object surface variations.
- The piGRIP® suction cup are excellent for lifting and handling difficult and heavy bags and pouches with e.g. liquids.
- Bellow suction cups with excellent gripping performance on corrugated and porous or surface leaking objects such as cardboard, textured plastic parts and composite material (raw surface).

Ogólne

Materiał	PU, PA, SS, AL
Minimalna temperatura	0 - 50 °C
Waga	210 g

Rysunki wymiarowe 



Aksesoria

0205130 | Przyssawka B52XP Poliuretan 30/60, G1/4" męski, filtrem siatkowym

0114449 | Przyssawka BX35P Poliuretan 30/60 z filtrem, G1/4" męski, z filtrem siatkowym

0101431 | Przyssawka B30-2 Silikon, G1/4" męski, z filtrem siatkowym