



Numer produktu: 0208903

### Level compensator KSPH, G 1/8" male, stroke 50, non rotating

- Adjust differences in levels, for example on lifting devices with several suction cups.
- Less demand for exact positioning of vacuum handling device.
- Provides a certain degree of shock and vibration absorption.
- Allows for soft placement of cups on sensitive or thin objects.
- Non-rotational design, suitable for use with oval suction cups.
- Wide range of thread connections and stroke lengths.

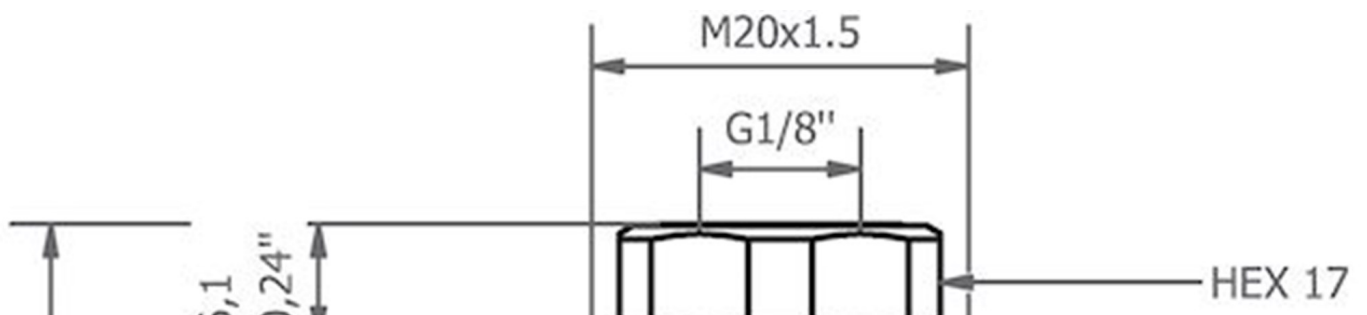
#### Ogólne

Materiał	STEEL, BR, PM
Minimalna temperatura	0 - 80 °C
Waga	190 g
Objętość	4,52 cm <sup>3</sup>

#### Parametry mechaniczne

Zakres pracy/Ugięcie	50 mm
Siła sprężystości	0,46 N/mm
Min. siła ugięcia	2,81 - 25,81 N

#### Rysunki wymiarowe



121,5  
4,78"

