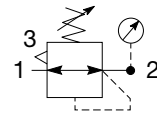


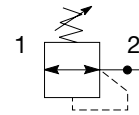
**Mini Regulator - P31**



**Symbols**



Self relieving regulator with gauge



Non relieving regulator

- Integral 1/4" ports (NPT & BSPP)
- Robust but lightweight aluminum construction
- Secondary pressure ranges 0-2 bar (0-30 psig), 0-4 bar (0-60 psig), 0-8 bar (0-125 psig), 0-16 bar (0-232 psig)
- Secondary aspiration plus balanced poppet provides quick response and accurate pressure regulation.
- Relieving & Non-relieving types
- Non-rising knob

**Options:**

<b>P31RB</b>			<b>2</b>		<b>N</b>		<b>P</b>
<b>Basic series</b>		<b>Thread type</b>		<b>Port size</b>		<b>Relief</b>	
Global modular mini regulator <b>P31RB</b>		BSPP 1 NPT 9		1/4 2		Relieving <b>B</b> Non-relieving <b>N</b> Reverse flow / Relieving <b>R</b>	
						<b>Mounting</b>	
						P Plastic panel mount nut	
						<b>Adjustment range</b>	
						<b>With square gauge</b>	
						psig      bar	
						1 = 30*      V = 2*	
						3 = 60      S = 4	
						5 = 125      T = 8	
						<b>With round gauge</b>	
						Z 2 bar; 30 psig; 0.2 MPa	
						M 4 bar; 60 psig; 0.4 MPa	
						G 8 bar; 125 psig; 0.8 MPa	
						J 16 bar; 232 psig; 1.6 MPa	
						<b>Without gauge</b>	
						Y 2 bar; 30 psig; 0.2 MPa	
						L 4 bar; 60 psig; 0.4 MPa	
						N 8 bar; 125 psig; 0.8 MPa	
						H 16 bar; 232 psig; 1.6 MPa	

\* Unit comes with 0-4 bar or 0-60 psig gauge respectively.  
 Bar gauges fitted to BSPP  
 PSI gauges fitted to NPT

**Bold items are most common.**

Port size	Description	Flow† dm³/s (scfm)	Max. bar (psig)	Height mm (inches)	Width mm (inches)	Depth mm (inches)	Part number†
1/4"	8 bar (125 psig) relieving	32 (68)	20 (300)	104.1 (4.1)	40 (1.58)	40 (1.58)	<b>P31RB12BNNP</b>
1/4"	8 bar (125 psig) + gauge	32 (68)	20 (300)	104.1 (4.1)	40 (1.58)	61.3 (2.41)	<b>P31RB12BNTP</b>

† Standard part numbers shown in bold. For other models refer to Options chart above.  
 ‡ Flow with 10 bar (145 psig) inlet pressure, 6.3 bar (91.3 psig) set pressure and 1 bar (14.5 psig) pressure drop.



**Specifications**

Flow capacity*	1/4	32 dm <sup>3</sup> /s (68 scfm)
Operating temperature†	-20°C to 65.5°C (-4°F to 150°F)	
Max. supply pressure	20 bar (300 psig)	
Adjusting range pressure	0-2 bar (30 psig)	
	0-4 bar (60 psig)	
	0-8 bar (125 psig)	
	0-16 bar (232 psig)	
Port size	BSPP / NPT	1/4
Gauge port (2 ea.)**	BSPP / NPT	1/8
Weight	0.17 kg (0.37 lbs)	

\* Inlet pressure 10 bar (145 psig). Secondary pressure 6.3 bar (91.3 psig).

\*\* Non-gauge option only.

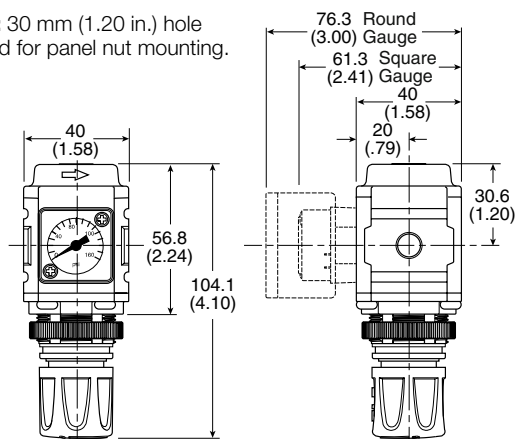
† Units with square gauges: -15°C to 65.5°C (5°F to 150°F)

**Material Specifications**

Body	Aluminum
Adjustment knob	Acetal
Bonnet	PBT
Diaphragm assembly	Brass / Nitrile
Valve assembly	Brass / Nitrile
Springs	Steel
Seals	Nitrile
Panel nut	Acetal

**Dimensions mm (inches)**

**NOTE:** 30 mm (1.20 in.) hole required for panel nut mounting.



**WARNING**

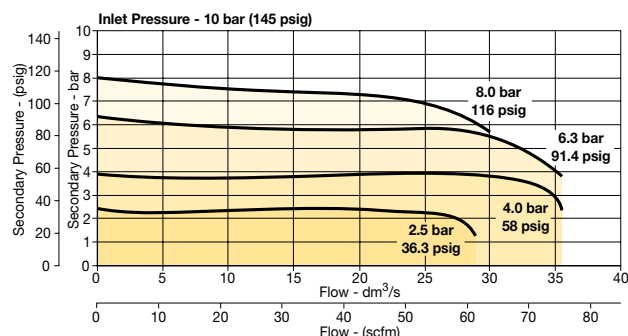
**Product rupture can cause serious injury.  
 Do not connect regulator to bottled gas.  
 Do not exceed Maximum primary pressure rating.**

**CAUTION:**

**REGULATOR PRESSURE ADJUSTMENT** – The working range of knob adjustment is designed to permit outlet pressures within their full range. Pressure adjustment beyond this range is also possible because the knob is not a limiting device. This is a common characteristic of most industrial regulators, and limiting devices may be obtained only by special design. For best performance, regulated pressure should always be set by increasing the pressure up to the desired setting.

**Flow Charts**

**1/4 Regulator**



**Repair and Service Kits**

Panel mount nut - aluminum	<b>P31KA00MM</b>
Panel mount nut - plastic	<b>P31KA00MP</b>
Angle bracket (attaches via panel nut)	<b>P31KB00MR</b>
C-bracket (fits to body)	<b>P31KA00MW</b>
T-bracket with body connector	<b>P31KA00MT</b>
Body connector	<b>P31KA00CB</b>

**Gauges**

**Square flush mount gauge**

0-4 bar	<b>K4511SCR04B</b>
0-11 bar	<b>K4511SCR11B</b>
0-60 psig	<b>K4511SCR060</b>
0-160 psig	<b>K4511SCR160</b>

**Square with adapter kit**

0-4 bar	<b>P6G-PR11040</b>
0-11 bar	<b>P6G-PR11110</b>
0-60 psig	<b>P6G-PR90060</b>
0-160 psig	<b>P6G-PR90160</b>

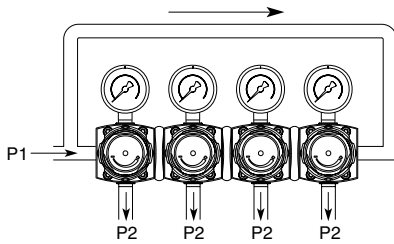
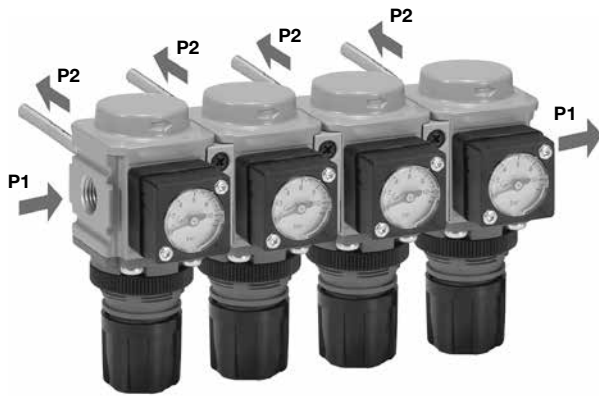
**40mm Round 1/8" center back mount**

0-30 psig / 0-2 bar	<b>P3D-KAB1AYN</b>
0-60 psig / 0-4 bar	<b>P3D-KAB1ALN</b>
0-160 psig / 0-11 bar	<b>P3D-KAB1ANN</b>
0-300 psig / 0-20 bar	<b>P3D-KAB1AHN</b>

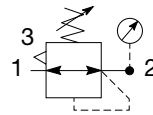
For best performance, regulated pressure should always be set by increasing the pressure up to the desired setting.



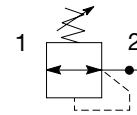
**Mini Common - P1 Regulator - P31**



**Symbols**



Self relieving regulator with gauge



Non relieving regulator

- Manifold style regulator with line pressure on both sides
- Pressure output is at front or rear
- Inlet port 1/4" (NPT & BSPP)
- Working port 1/8"
- Robust construction
- Secondary pressure ranges 0-2 bar (0-30 psig), 0-4 bar, (0-60 psig), 0-8 bar (0-125 psig), 0-16 bar (0-232 psig)
- Secondary aspiration plus balanced poppet provides quick response and accurate pressure regulation
- Relieving & Non-relieving types
- Non-rising knob

**Options:**

<b>P31HB</b>			<b>2</b>		<b>N</b>		<b>P</b>
<b>Basic series</b> Global modular mini common regulator <b>P31HB</b>		<b>Thread type</b> BSPP <b>1</b> NPT <b>9</b>		<b>Port size †</b> 1/4 <b>2</b> † Working port 1/8".		<b>Mounting</b> <b>P</b> Plastic panel mount nut	
		<b>Relief</b>		<b>Adjustment range</b>			
		Relieving <b>B</b>		<b>With square gauge</b>		<b>Without gauge</b>	
		Non-relieving <b>N</b>		psig      bar		<b>Y 2 bar; 30 psig; 0.2 MPa</b>	
		Reverse flow / Relieving <b>R</b>		1 = 30*      V = 2* 3 = 60      S = 4 5 = 125      T = 8		<b>L 4 bar; 60 psig; 0.4 MPa</b>	
						<b>N 8 bar; 125 psig; 0.8 MPa</b>	
						<b>H 16 bar; 232 psig; 1.6 MPa</b>	

\* Unit comes with 0-4 bar or 0-60 psig gauge respectively.  
 Bar gauges fitted to BSPP  
 PSI gauges fitted to NPT

**Bold items are most common.**

Port size	Description	Flow† dm <sup>3</sup> /s (scfm)	Max. bar (psig)	Height mm (inches)	Width mm (inches)	Depth mm (inches)	Part number†
1/4"	8 bar (125 psig) relieving	20 (42)	20 (300)	104.1 (4.1)	40 (1.58)	40 (1.58)	<b>P31HB12BNNP</b>

† Standard part numbers shown in bold. For other models refer to Options chart above.  
 ‡ Flow with 10 bar (145 psig) inlet pressure, 6.3 bar (91.3 psig) set pressure and 1 bar (14.5 psig) pressure drop.



**Specifications**

Flow capacity*	1/4	20 dm <sup>3</sup> /s (42 scfm)
Operating temperature	-20°C to 65.5°C (-4°F to 150°F)	
Max. supply pressure	20 bar (300 psig)	
Adjusting range pressure	0-2 bar (30 psig) 0-4 bar (60 psig) 0-8 bar (125 psig) 0-16 bar (232 psig)	
P1 Port size (Inlet / Outlet)	BSPP / NPT	1/4
P2 Regulated ports (2 ea.)	BSPP / NPT	1/8
Weight	0.30 kg (0.66 lbs)	

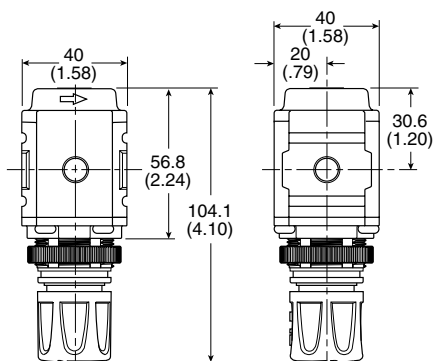
\* Inlet pressure 10 bar (145 psig). Secondary pressure 6.3 bar (91.3 psig).

**Materials of Construction**

Body	Aluminum
Adjustment knob	Acetal
Bonnet	33% Glass-filled PBT
Diaphragm assembly	Brass / Nitrile
Valve assembly	Brass / Nitrile

**Dimensions mm (inches)**

**NOTE:** 30 mm (1.20 in.) hole required for panel nut mounting.



**WARNING**

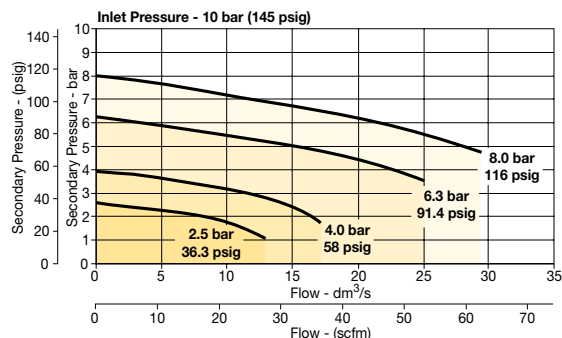
**Product rupture can cause serious injury.  
 Do not connect regulator to bottled gas.  
 Do not exceed Maximum primary pressure rating.**

**CAUTION:**

**REGULATOR PRESSURE ADJUSTMENT** – The working range of knob adjustment is designed to permit outlet pressures within their full range. Pressure adjustment beyond this range is also possible because the knob is not a limiting device. This is a common characteristic of most industrial regulators, and limiting devices may be obtained only by special design. For best performance, regulated pressure should always be set by increasing the pressure up to the desired setting.

**Flow Charts**

**1/4 Common Regulator**



**Repair and Service Kits**

Panel mount nut - aluminum	<b>P31KA00MM</b>
Panel mount nut - plastic	<b>P31KA00MP</b>
Angle bracket (attaches via panel nut)	<b>P31KB00MR</b>
T-bracket with body connector	<b>P31KA00MT</b>
Body connector	<b>P31KA00CB</b>

**Gauges**

**Square with adapter kit**

0-4 bar	<b>P6G-PR11040</b>
0-11 bar	<b>P6G-PR11110</b>
0-60 psig	<b>P6G-PR90060</b>
0-160 psig	<b>P6G-PR90160</b>

**40mm Round 1/8" center back mount**

0-30 psig / 0-2 bar	<b>P3D-KAB1AYN</b>
0-60 psig / 0-4 bar	<b>P3D-KAB1ALN</b>
0-160 psig / 0-11 bar	<b>P3D-KAB1ANN</b>
0-300 psig / 0-20 bar	<b>P3D-KAB1AHN</b>

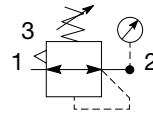
For best performance, regulated pressure should always be set by increasing the pressure up to the desired setting.



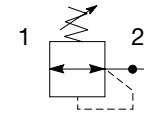
**Compact Regulator – P32**



**Symbols**



Self relieving regulator with gauge



Non relieving regulator

- Integral 1/4", 3/8" or 1/2" ports (NPT & BSPP)
- Robust but lightweight aluminum construction
- Secondary pressure ranges 0-2 bar (0-30 psig), 0-4 bar, (0-60 psig), 0-8 bar (0-125 psig), 0-17 bar (0-250 psig)
- Secondary aspiration plus balanced poppet provides quick response and accurate pressure regulation
- Relieving & Non-relieving types
- Non-rising knob

**Options:**

<b>P32RB</b>				<b>N</b>		<b>P</b>
<b>Basic series</b> Global modular compact regulator <b>P32RB</b>	<b>Thread type</b> BSPP 1 NPT 9	<b>Port size</b> 1/4 2 3/8 3 1/2 4	<b>Relief</b> Relieving B Non-relieving N	<b>Adjustment range</b>		
				<b>With square gauge</b>		<b>With round gauge</b>
				psig	bar	Z 2 bar; 30 psig; 0.2 MPa
				1 = 30*	V = 2*	M 4 bar; 60 psig; 0.4 MPa
				3 = 60	S = 4	G 8 bar; 125 psig; 0.8 MPa
				5 = 125	T = 8	J 17 bar; 250 psig; 1.7 MPa
						<b>Without gauge</b>
						Y 2 bar; 30 psig; 0.2 MPa
						L 4 bar; 60 psig; 0.4 MPa
						N 8 bar; 125 psig; 0.8 MPa
						H 17 bar; 250 psig; 1.7 MPa

**Mounting**  
P Plastic panel mount nut

Note: Regulators will reverse flow as standard.

Bold items are most common.

Port size	Description	Flow† dm <sup>3</sup> /s (scfm)	Max. bar (psig)	Height mm (inches)	Width mm (inches)	Depth mm (inches)	Part number†
1/4"	8 bar (125 psig) relieving	70 (148)	20 (300)	136 (5.4)	60 (2.36)	60 (2.36)	<b>P32RB12BNNP</b>
1/4"	8 bar (125 psig) relieving + gauge	70 (148)	20 (300)	136 (5.4)	60 (2.36)	93 (3.66)	<b>P32RB12BNGP</b>
3/8"	8 bar (125 psig) relieving	78 (165)	20 (300)	136 (5.4)	60 (2.36)	60 (2.36)	<b>P32RB13BNNP</b>
3/8"	8 bar (125 psig) relieving + gauge	78 (165)	20 (300)	136 (5.4)	60 (2.36)	93 (3.66)	<b>P32RB13BNGP</b>
1/2"	8 bar (125 psig) relieving	78 (165)	20 (300)	136 (5.4)	60 (2.36)	60 (2.36)	<b>P32RB14BNNP</b>
1/2"	8 bar (125 psig) relieving + gauge	78 (165)	20 (300)	136 (5.4)	60 (2.36)	93 (3.66)	<b>P32RB14BNGP</b>

† Standard part numbers shown in bold. For other models refer to Options chart above.  
 ‡ Flow with 10 bar (145 psig) inlet pressure, 6.3 bar (91.3 psig) set pressure and 1 bar (14.5 psig) pressure drop.

**CAUTION:**

**REGULATOR PRESSURE ADJUSTMENT** – The working range of knob adjustment is designed to permit outlet pressures within their full range. Pressure adjustment beyond this range is also possible because the knob is not a limiting device. This is a common characteristic of most industrial regulators, and limiting devices may be obtained only by special design. For best performance, regulated pressure should always be set by increasing the pressure up to the desired setting.

<p><b>WARNING</b></p> <p><b>Product rupture can cause serious injury.                  Do not connect regulator to bottled gas.                  Do not exceed Maximum primary pressure rating.</b></p>
---

**Specifications**

Flow capacity*	1/4	70 dm <sup>3</sup> /s (148 scfm)
	3/8	78 dm <sup>3</sup> /s (165 scfm)
	1/2	78 dm <sup>3</sup> /s (165 scfm)
Operating temperature	-25°C to 65.5°C (-13°F to 150°F)	
Max. supply pressure	20 bar (300 psig)	
Adjusting range pressure	0-2 bar (30 psig)	
	0-4 bar (60 psig)	
	0-8 bar (125 psig)	
	0-17 bar (250 psig)	
Port size	BSP / NPT	1/4, 3/8, 1/2
Gauge port (2 ea.)	BSP / NPT	1/4
Weight	0.41 kg (0.90 lbs)	

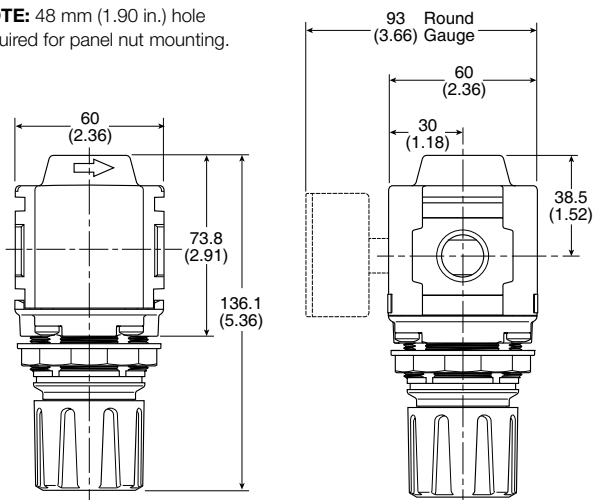
\* Inlet pressure 10 bar (145 psig). Secondary pressure 6.3 bar (91.3 psig).

**Material Specifications**

Body	Aluminum	
Adjustment knob	Acetal	
Bonnet	33% Glass-filled nylon	
Diaphragm assembly	Nitrile / Zinc	
Valve assembly	Brass / Nitrile	
Springs	Main regulating valve	Steel S.S.
Seals	Nitrile	
Panel nut	Acetal	

**Dimensions mm (inches)**

**NOTE:** 48 mm (1.90 in.) hole required for panel nut mounting.

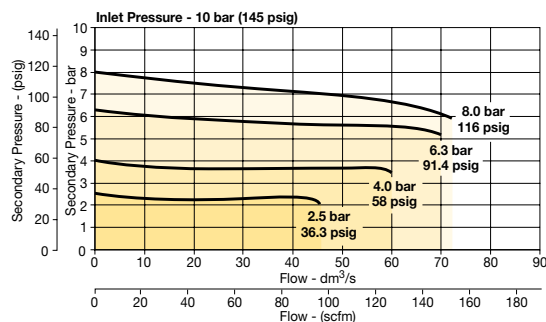


**Repair and Service Kits**

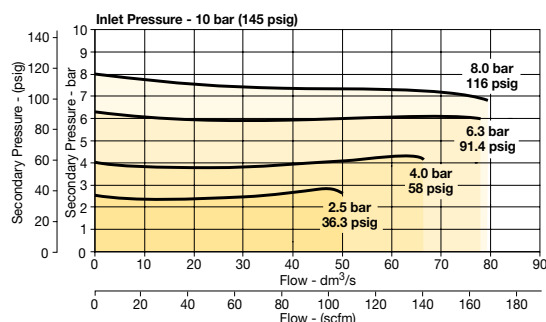
Panel mount nut - aluminum	<b>P32KA00MM</b>
Panel mount nut - plastic	<b>P32KA00MP</b>
Angle bracket (attaches via panel nut)	<b>P32KB00MR</b>
T-bracket with body connector	<b>P32KA00MT</b>
T-bracket	<b>P32KA00MB</b>
Body connector	<b>P32KA00CB</b>

**Flow Charts**

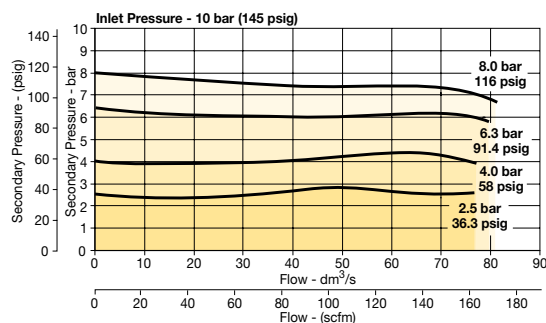
**1/4 Regulator**



**3/8 Regulator**



**1/2 Regulator**



**Gauges**

**50mm (2") Round 1/4" center back mount**

0-60 psig / 0-4 bar	<b>P6G-ERB2040</b>
0-160 psig / 0-11 bar	<b>P6G-ERB2110</b>
0-300 psig / 0-20 bar	<b>P6G-ERB2200</b>

**Square flush mount gauge**

0-4 bar	<b>K4511SCR04B</b>
0-11 bar	<b>K4511SCR11B</b>
0-60 psig	<b>K4511SCR060</b>
0-160 psig	<b>K4511SCR160</b>

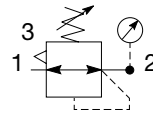
**Square with adapter kit**

0-4 bar	<b>P6G-PR11040</b>
0-11 bar	<b>P6G-PR11110</b>
0-60 psig	<b>P6G-PR90060</b>
0-160 psig	<b>P6G-PR90160</b>

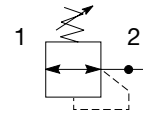
For best performance, regulated pressure should always be set by increasing the pressure up to the desired setting.

**Compact Semi-Precision Regulator – P32**

**Symbols**



Self relieving regulator with gauge



Non relieving regulator

- Integral 1/4", 3/8" or 1/2" ports (NPT & BSPP)
- Robust but lightweight aluminum construction
- Secondary pressure ranges 0-2 bar (0-30 psig), 0-4 bar (0-60 psig), 0-8 bar (0-125 psig), 0-17 bar (0-250 psig)
- Secondary aspiration plus balanced poppet provides quick response and accurate pressure regulation
- Relieving & Non-relieving types
- Non-rising knob

**Options:**

<b>P32RB</b>					<b>N</b>		<b>P</b>
<b>Basic series</b>	<b>Thread type</b>						<b>Mounting</b>
Global modular compact regulator P32RB	BSPP 1 NPT 9						P Plastic panel mount nut
	<b>Port size</b>						<b>Adjustment range</b>
	1/4 2 3/8 3 1/2 4						<b>With round gauge</b>
							Z 2 bar; 30 psig; 0.2 MPa M 4 bar; 60 psig; 0.4 MPa G 8 bar; 125 psig; 0.8 MPa J 17 bar; 250 psig; 1.7 MPa
	<b>Relief</b>						<b>Without gauge</b>
	Relieving P Non-relieving E						Y 2 bar; 30 psig; 0.2 MPa L 4 bar; 60 psig; 0.4 MPa N 8 bar; 125 psig; 0.8 MPa H 17 bar; 250 psig; 1.7 MPa

**Bold items are most common.**

Note: Regulators will reverse flow as standard.

Port size	Description	Flow† dm <sup>3</sup> /s (scfm)	Max. bar (psig)	Height mm (inches)	Width mm (inches)	Depth mm (inches)	Part number†
1/4"	8 bar (125 psig) relieving	25 (53)	20 (300)	136 (5.4)	60 (2.36)	60 (2.36)	<b>P32RB12PNNP</b>
1/4"	8 bar (125 psig) relieving + gauge	25 (53)	20 (300)	136 (5.4)	60 (2.36)	93 (3.66)	<b>P32RB12PNGP</b>
3/8"	8 bar (125 psig) relieving	25 (53)	20 (300)	136 (5.4)	60 (2.36)	60 (2.36)	<b>P32RB13PNNP</b>
3/8"	8 bar (125 psig) relieving + gauge	25 (53)	20 (300)	136 (5.4)	60 (2.36)	93 (3.66)	<b>P32RB13PNGP</b>
1/2"	8 bar (125 psig) relieving	25 (53)	20 (300)	136 (5.4)	60 (2.36)	60 (2.36)	<b>P32RB14PNNP</b>
1/2"	8 bar (125 psig) relieving + gauge	25 (53)	20 (300)	136 (5.4)	60 (2.36)	93 (3.66)	<b>P32RB14PNGP</b>

† Standard part numbers shown in bold. For other models refer to Options chart above.  
 ‡ Flow with 10 bar (145 psig) inlet pressure, 6.3 bar (91.3 psig) set pressure and 1 bar (14.5 psig) pressure drop.

**CAUTION:**

**REGULATOR PRESSURE ADJUSTMENT** – The working range of knob adjustment is designed to permit outlet pressures within their full range. Pressure adjustment beyond this range is also possible because the knob is not a limiting device. This is a common characteristic of most industrial regulators, and limiting devices may be obtained only by special design. For best performance, regulated pressure should always be set by increasing the pressure up to the desired setting.

<b>WARNING</b>
<b>Product rupture can cause serious injury.                  Do not connect regulator to bottled gas.                  Do not exceed Maximum primary pressure rating.</b>

**Specifications**

Flow capacity*	1/4	25 dm <sup>3</sup> /s (53 scfm)
	3/8	25 dm <sup>3</sup> /s (53 scfm)
	1/2	25 dm <sup>3</sup> /s (53 scfm)
Effect of supply pressure variation	0.04 bar (0.6 PSIG) for 1.7 bar (25 PSIG) change in P1	
Operating temperature	-25°C to 65.5°C (-13°F to 150°F)	
Max. supply pressure	20 bar (300 psig)	
Adjusting range pressure	0-2 bar (30 psig) 0-4 bar (60 psig) 0-8 bar (125 psig) 0-17 bar (250 psig)	
Port size	BSPP / NPT	1/4, 3/8, 1/2
Gauge port (2 ea.)	BSPP / NPT	1/4
Weight	0.41 kg (0.90 lbs)	

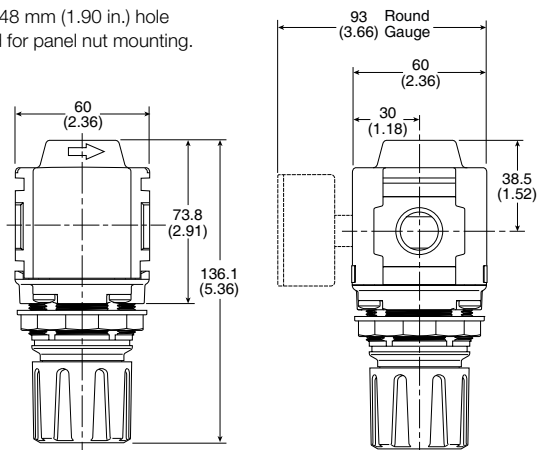
\* Inlet pressure 10 bar (145 psig). Secondary pressure 6.3 bar (91.3 psig).

**Material Specifications**

Body	Aluminum	
Adjustment knob	Acetal	
Bonnet	33% Glass-filled nylon	
Diaphragm assembly	Nitrile / Zinc	
Valve assembly	Brass / Nitrile	
Springs	Main regulating valve	Steel S.S.
Seals	Nitrile	
Panel nut	Acetal	

**Dimensions mm (inches)**

**NOTE:** 48 mm (1.90 in.) hole required for panel nut mounting.

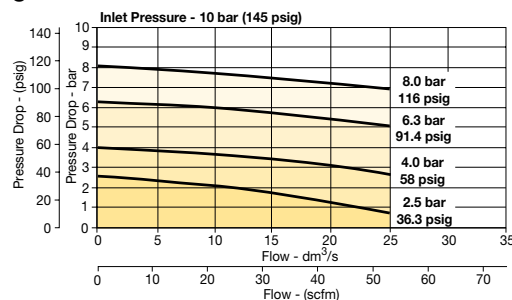


**Repair and Service Kits**

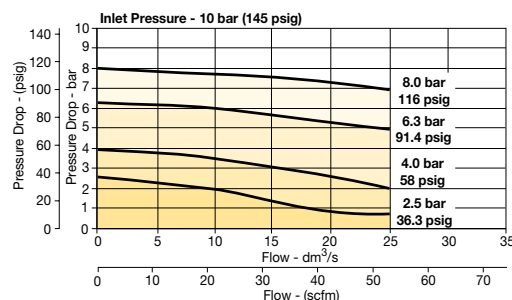
Panel mount nut - aluminum	<b>P32KA00MM</b>
Panel mount nut - plastic	<b>P32KA00MP</b>
Angle bracket (attaches via panel nut)	<b>P32KB00MR</b>
T-bracket with body connector	<b>P32KA00MT</b>
T-bracket	<b>P32KA00MB</b>
Body connector	<b>P32KA00CB</b>

**Flow Charts**

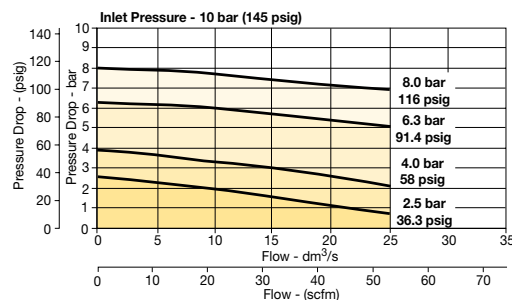
**1/4 Regulator**



**3/8 Regulator**



**1/2 Regulator**



**Gauges**

**50mm (2") Round 1/4" center back mount**

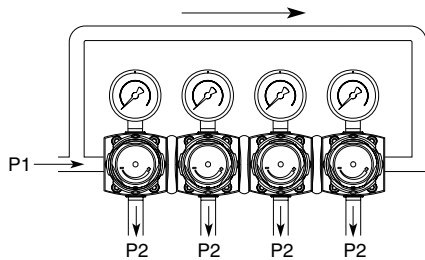
0-60 psig / 0-4 bar	<b>P6G-ERB2040</b>
0-160 psig / 0-11 bar	<b>P6G-ERB2110</b>
0-300 psig / 0-20 bar	<b>P6G-ERB2200</b>

For best performance, regulated pressure should always be set by increasing the pressure up to the desired setting.

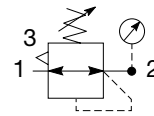




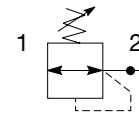
**Compact Common - P1 Regulator - P32**



**Symbols**



Self relieving regulator with gauge



Non relieving regulator

- Manifold style regulator with line pressure on both sides.
- Pressure output is at front or rear.
- Inlet ports 1/4", 3/8" or 1/2" (NPT & BSPP)
- Working port 1/4"
- Robust construction
- Secondary pressure ranges 0-2 bar (0-30 psig), 0-4 bar, (0-60 psig), 0-8 bar (0-125 psig), 0-17 bar (0-250 psig)
- Secondary aspiration plus balanced poppet provides quick response and accurate pressure regulation
- Relieving & Non-relieving types
- Non-rising knob

**Options:**

**P32HB** [ ] [ ] [ ] **N** [ ] **P**

<b>Basic series</b> Global modular compact regulator <b>P32HB</b>	<b>Thread type</b> BSPP <b>1</b> NPT <b>9</b>	<b>Mounting</b> <b>P</b> Plastic panel mount nut
<b>Port size †</b>	<b>Relief</b>	<b>Adjustment range</b>
1/4 <b>2</b>	Relieving <b>B</b>	<b>With square gauge</b>
3/8 <b>3</b>	Non-relieving <b>N</b>	psig   bar
1/2 <b>4</b>	Note: Regulators will reverse flow as standard.	1 = 30*   V = 2* 3 = 60   S = 4 5 = 125   T = 8
† Working port 1/4".		<b>Without gauge</b>
		Y <b>2 bar; 30 psig; 0.2 MPa</b> L <b>4 bar; 60 psig; 0.4 MPa</b> N <b>8 bar; 125 psig; 0.8 MPa</b> H <b>17 bar; 250 psig; 1.7 MPa</b>

\* Unit comes with 0-4 bar or 0-60 psig gauge respectively.

**Bold items are most common.**

Port size	Description	Flow‡ dm <sup>3</sup> /s (scfm)	Max. bar (psig)	Height mm (inches)	Width mm (inches)	Depth mm (inches)	Part number†
1/4"	8 bar (125 psig) relieving	30 (64)	20 (300)	136 (5.4)	60 (2.36)	60 (2.36)	<b>P32HB12BNNP</b>
3/8"	8 bar (125 psig) relieving	30 (64)	20 (300)	136 (5.4)	60 (2.36)	60 (2.36)	<b>P32HB13BNNP</b>
1/2"	8 bar (125 psig) relieving	30 (64)	20 (300)	136 (5.4)	60 (2.36)	60 (2.36)	<b>P32HB14BNNP</b>

† Standard part numbers shown in bold. For other models refer to Options chart above.  
 ‡ Flow with 10 bar (145 psig) inlet pressure, 6.3 bar (91.3 psig) set pressure and 1 bar (14.5 psig) pressure drop.



**Specifications**

Flow capacity*	1/4	30 dm <sup>3</sup> /s (64 scfm)
	3/8	30 dm <sup>3</sup> /s (64 scfm)
	1/2	30 dm <sup>3</sup> /s (64 scfm)
Operating temperature	-25°C to 65.5°C (-13°F to 150°F)	
Max. supply pressure	20 bar (300 psig)	
Adjusting range pressure	0-2 bar (30 psig)	
	0-4 bar (60 psig)	
	0-8 bar (125 psig)	
	0-17 bar (250 psig)	
Port size	BSPP / NPT	1/4, 3/8, 1/2
Gauge port (2 ea.)	BSPP / NPT	1/4
Weight	0.50 kg (1.10 lbs)	

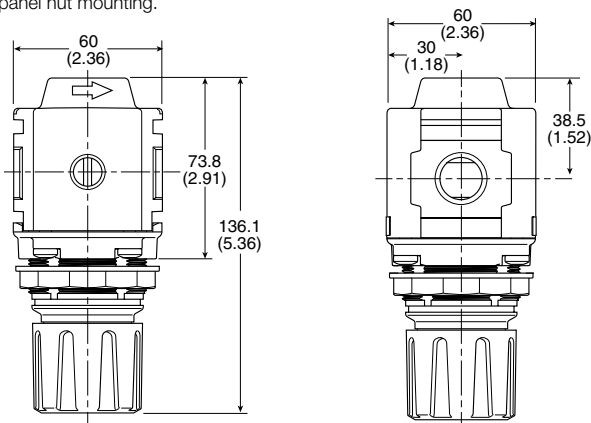
\* Inlet pressure 10 bar (145 psig). Secondary pressure 6.3 bar (91.3 psig).

**Material Specifications**

Body	Aluminum	
Adjustment knob	Acetal	
Bonnet	33% Glass-filled nylon	
Diaphragm assembly	Nitrile / Zinc	
Valve assembly	Brass / Nitrile	
Springs	Main regulating valve	Steel S.S.
Seals	Nitrile	
Panel nut	Acetal	

**Dimensions mm (inches)**

**NOTE:** 48 mm (1.90 in.) hole required for panel nut mounting.



**WARNING**

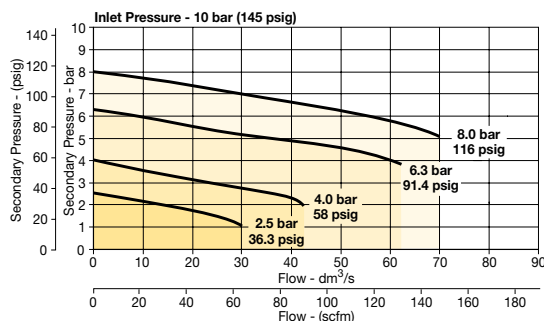
**Product rupture can cause serious injury.  
 Do not connect regulator to bottled gas.  
 Do not exceed Maximum primary pressure rating.**

**CAUTION:**

**REGULATOR PRESSURE ADJUSTMENT** – The working range of knob adjustment is designed to permit outlet pressures within their full range. Pressure adjustment beyond this range is also possible because the knob is not a limiting device. This is a common characteristic of most industrial regulators, and limiting devices may be obtained only by special design. For best performance, regulated pressure should always be set by increasing the pressure up to the desired setting.

**Flow Charts**

**P32 Common Port Regulator**



**Repair and Service Kits**

Panel mount nut - aluminum	<b>P32KA00MM</b>
Panel mount nut - plastic	<b>P32KA00MP</b>
Angle bracket (attaches via panel nut)	<b>P32KB00MR</b>
T-bracket with body connector	<b>P32KA00MT</b>
T-bracket	<b>P32KA00MB</b>
Body connector	<b>P32KA00CB</b>

**Gauges**

**50mm (2") Round 1/4" center back mount**

0-60 psig / 0-4 bar	<b>P6G-ERB2040</b>
0-160 psig / 0-11 bar	<b>P6G-ERB2110</b>
0-300 psig / 0-20 bar	<b>P6G-ERB2200</b>

**Square flush mount gauge**

0-4 bar	<b>K4511SCR04B</b>
0-11 bar	<b>K4511SCR11B</b>
0-60 psig	<b>K4511SCR060</b>
0-160 psig	<b>K4511SCR160</b>

**Square with adapter kit**

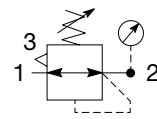
0-4 bar	<b>P6G-PR11040</b>
0-11 bar	<b>P6G-PR11110</b>
0-60 psig	<b>P6G-PR90060</b>
0-160 psig	<b>P6G-PR90160</b>

For best performance, regulated pressure should always be set by increasing the pressure up to the desired setting.

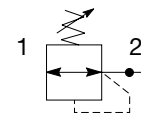
**Standard Regulator - P33**



**Symbols**



Self relieving regulator with gauge



Non relieving regulator

- Integral 1/2" or 3/4" ports (NPT & BSPP)
- Robust but lightweight aluminum construction
- Secondary pressure ranges 0-2 bar (0-30 psig), 0-4 bar, (0-60 psig), 0-8 bar (0-125 psig), 0-17 bar (0-250 psig)
- Secondary aspiration plus balanced poppet provides quick response and accurate pressure regulation
- Relieving & Non-relieving types
- Non-rising knob

**Options:**

**P33RA** [ ] [ ] [ ] **N** [ ] **P**

<b>Basic series</b>	<b>Thread type</b>	<b>Mounting</b>
Global modular standard regulator <b>P33RA</b>	BSPP <b>1</b> NPT 9	P Plastic panel mount nut

<b>Port size</b>	<b>Relief</b>
1/2 4 3/4 6	Relieving <b>B</b> Non-relieving <b>N</b> Reverse flow-relieving <b>R</b>

<b>Adjustment range</b>
<b>With round gauge</b>
Z 2 bar; 30 psig; 0.2 MPa
M 4 bar; 60 psig; 0.4 MPa
G 8 bar; 125 psig; 0.8 MPa
J 17 bar; 250 psig; 1.7 MPa
<b>Without gauge</b>
Y 2 bar; 30 psig; 0.2 MPa
L 4 bar; 60 psig; 0.4 MPa
<b>N 8 bar; 125 psig; 0.8 MPa</b>
H 17 bar; 250 psig; 1.7 MPa

**Bold items are most common.**

Port size	Description	Flow† dm <sup>3</sup> /s (scfm)	Max. bar (psig)	Height mm (inches)	Width mm (inches)	Part number†
1/2"	8 bar (125 psig) relieving	110 (233)	20 (300)	149 (5.87)	73 (2.87)	<b>P33RA14BNNP</b>
1/2"	8 bar (125 psig) relieving + gauge	110 (233)	20 (300)	149 (5.87)	108 (4.27)	<b>P33RA14BNGP</b>
3/4"	8 bar (125 psig) relieving	110 (233)	20 (300)	149 (5.87)	73 (2.87)	<b>P33RA16BNNP</b>
3/4"	8 bar (125 psig) relieving + gauge	110 (233)	20 (300)	149 (5.87)	108 (4.27)	<b>P33RA16BNGP</b>

† Standard part numbers shown in bold. For other models refer to Options chart above.  
 ‡ Flow with 10 bar (145 psig) inlet pressure, 6.3 bar (91.3) psig) set pressure and 1 bar (14.5 psig) pressure drop.



**Specifications**

Flow capacity*	1/2	110 dm <sup>3</sup> /s (233 scfm)
	3/4	110 dm <sup>3</sup> /s (233 scfm)
Operating temperature	-25°C to 65.5°C (-13°F to 150°F)	
Max. supply pressure	20 bar (300 psig)	
Adjusting range pressure	0-2 bar (30 psig)	
	0-4 bar (60 psig)	
	0-8 bar (125 psig)	
	0-17 bar (250 psig)	
Port size	BSPP / NPT	1/2, 3/4
Gauge port (2 ea.)	BSPP / NPT	1/4
Weight	0.62 kg (1.37 lbs)	

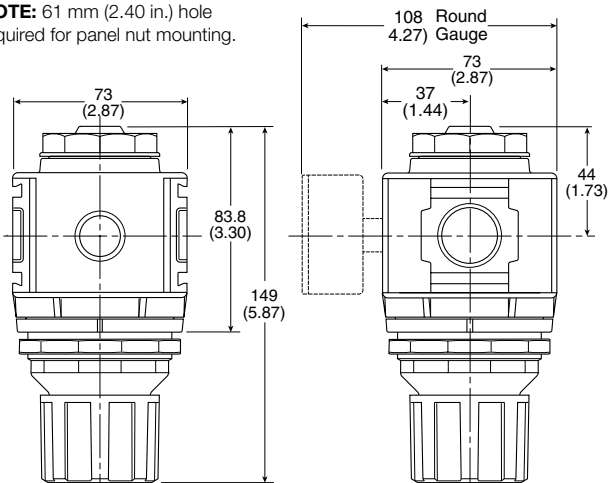
\* Inlet pressure 10 bar (145 psig). Secondary pressure 6.3 bar (91.3 psig).

**Material Specifications**

Body	Aluminum	
Adjustment knob	Acetal	
Body cap	ABS	
Bonnet	33% Glass-filled nylon	
Diaphragm assembly	Nitrile / Zinc	
Bonnet	33% Glass-filled nylon	
Valve assembly	Brass / Nitrile	
Springs	Main regulating valve	Steel S.S.
Seals	Nitrile	
Panel nut	Acetal	

**Dimensions mm (inches)**

**NOTE:** 61 mm (2.40 in.) hole required for panel nut mounting.



**WARNING**

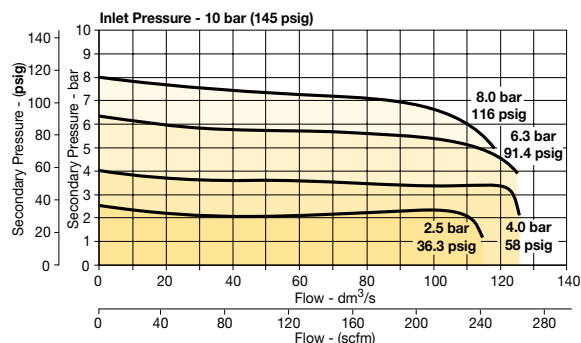
**Product rupture can cause serious injury.  
 Do not connect regulator to bottled gas.  
 Do not exceed Maximum primary pressure rating.**

**CAUTION:**

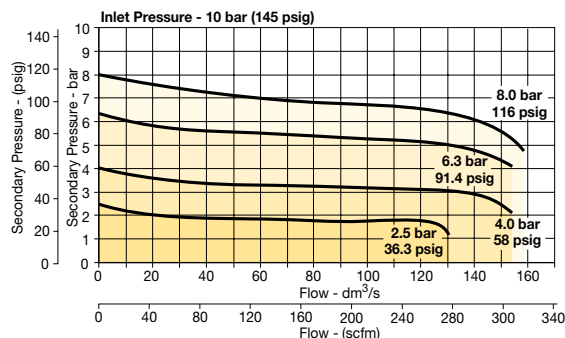
**REGULATOR PRESSURE ADJUSTMENT** – The working range of knob adjustment is designed to permit outlet pressures within their full range. Pressure adjustment beyond this range is also possible because the knob is not a limiting device. This is a common characteristic of most industrial regulators, and limiting devices may be obtained only by special design. For best performance, regulated pressure should always be set by increasing the pressure up to the desired setting.

**Flow Charts**

**1/2 Regulator**



**3/4 Regulator**



**Repair and Service Kits**

Panel mount nut - aluminum	<b>P33KA00MM</b>
Panel mount nut - plastic	<b>P33KA00MP</b>
Angle bracket (attaches via panel nut)	<b>P33KA00MR</b>
T-bracket with body connector	<b>P32KA00MT</b>
T-bracket	<b>P32KA00MB</b>
Body connector	<b>P32KA00CB</b>

**Gauges**

**50mm (2") Round 1/4" center back mount**

0-60 psig / 0-4 bar	<b>P6G-ERB2040</b>
0-160 psig / 0-11 bar	<b>P6G-ERB2110</b>
0-300 psig / 0-20 bar	<b>P6G-ERB2200</b>

For best performance, regulated pressure should always be set by increasing the pressure up to the desired setting.

