

High Pressure Series



Designed for applications up to 300 bar, these carefully manufactured ball valves guarantee safe operation.

Technical Characteristics

- **Compatible Fluids:** Compressed air, lubricants, gases
- **Working Pressure:** Vacuum to 300 bar
- **Working Temperature:** -15°C to +80°C

Reliable performance is dependent upon the type of fluid conveyed, component materials and tubing being used.

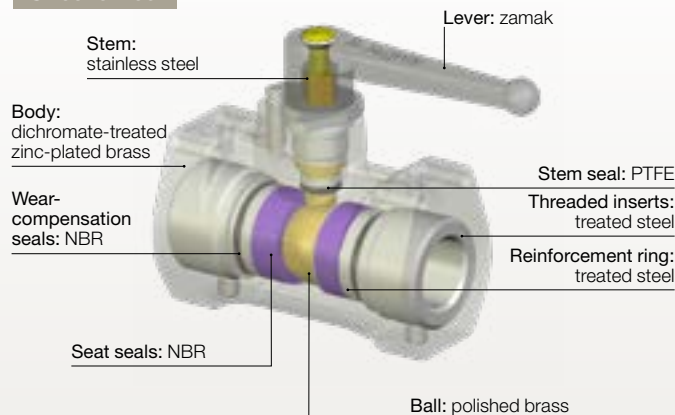
Guaranteed for use with a vacuum of 755 mm Hg (99% vacuum).

Advantages

- Low operating torque, even at high pressure
- Repositionable and exchangeable handles
- Robust design resistant to high tightening torques
- Fixing screws for through-bulkhead mounting

Component Materials

Silicone-free



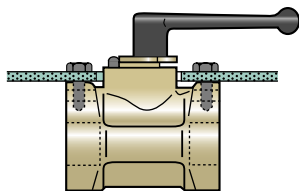
Regulations

- PED
- REACH
- RoHS

Installation Options

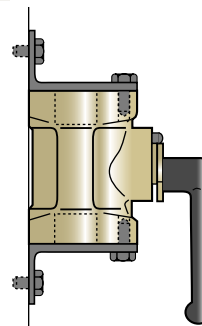
Bulkhead Mounting

Through bulkhead with screws



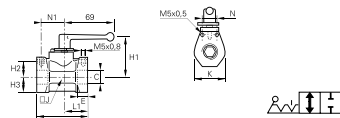
Surface Mounting

With brackets and screws



4402 2/2 In-Line High Pressure Ball Valve, Female BSP Thread

Treated brass, NBR



DN	C	E	H1	H2	H3	J	K	L	L1	N	N1	Kg
7	G1/4	4402 07 13	12	50	13	15	30	30	58	25	15	0.402
10	G3/8	4402 10 17	12	54	23	19	36	39	72	36	20	0.722
13	G1/2	4402 13 21	15	56	23	21	40	42	79	36	20	0.870