

Compact Type Parallel Style Air Gripper

# 25A-JMHZ2 Series



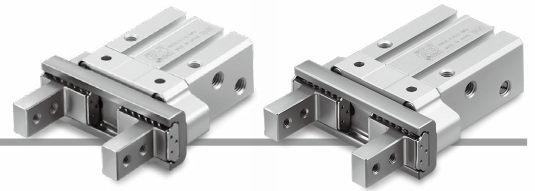
Compact Type Parallel Style Air Gripper/With Positioning Pins on the Lateral Mounting Surface

## 25A-JMHZ2-X6900(A, B) (Made to Order)

Compact Type Parallel Style Air Gripper/Lateral Auto Switch Mounting

## 25A-JMHZ2-X7460 (Made to Order)

ø8, ø12, ø16, ø20



### How to Order

#### Bore Size

ø8 to ø20 **25A-JMHZ2-16 D - M9BW**

Series compatible with secondary batteries

1 2 3 4 5 6

**1 Number of fingers**

2	2
---	---

**2 Bore size**

8	8 mm
12	12 mm
16	16 mm
20	20 mm

**3 Action**

D	Double acting
---	---------------

**4 Finger option**

Nil	Standard
1	Side tapped mounting
2	Through-holes in opening/closing direction

**5 Auto switch**

Nil	Without auto switch (Built-in magnet)
-----	---------------------------------------

\* Refer to page 260 for applicable auto switch models.

**6 Number of auto switches**

Nil	2
S	1
n	n

\* The 25A- series specifications and dimensions are the same as those of the standard model. For details, refer to the Web Catalog.

#### Bore Size

ø8 to ø20 Made to Order **25A-JMHZ2-16 D - M9BW - X6900 A**

Series compatible with secondary batteries

1 2 3 4 5 6 7

With positioning pins on the lateral mounting surface

**1 Number of fingers**

2	2
---	---

**2 Bore size**

8	8 mm
12	12 mm
16	16 mm
20	20 mm

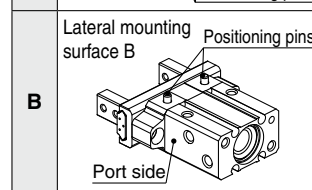
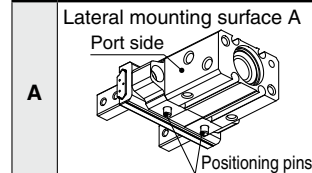
**3 Action**

D	Double acting
---	---------------

**4 Finger option**

Nil	Standard
1	Side tapped mounting
2	Through-holes in opening/closing direction

**7 Direction of pin projection**



**5 Auto switch**

Nil	Without auto switch (Built-in magnet)
-----	---------------------------------------

\* Refer to page 260 for applicable auto switch models.

**6 Number of auto switches**

Nil	2
S	1
n	n

\* The 25A- series have the same specifications and dimensions as those of the JMHZ2-X6900(A, B) (made-to-order individual specifications). For details, refer to the Web Catalog.

#### Bore Size

ø8 to ø20 Made to Order **25A-JMHZ2-16 D - M9BW - X7460**

Series compatible with secondary batteries

1 2 3 4 5 6 Lateral auto switch mounting

**1 Number of fingers**

2	2
---	---

**2 Bore size**

8	8 mm
12	12 mm
16	16 mm
20	20 mm

**3 Action**

D	Double acting
---	---------------

**4 Finger option**

Nil	Standard
1	Side tapped mounting
2	Through-holes in opening/closing direction

**5 Auto switch**

Nil	Without auto switch (Built-in magnet)
-----	---------------------------------------

\* Refer to page 260 for applicable auto switch models.

**6 Number of auto switches**

Nil	2
S	1

\* The 25A- series have the same specifications and dimensions as those of the JMHZ2-X7460 (made-to-order individual specifications). For details, refer to the Web Catalog.

Directional Control Valves  
Air Cylinders  
Related Products  
Rotary Actuators  
Air Grippers  
Vacuum Equipment  
Air Preparation Equipment  
Clean Air Filters  
Modular F.R.L./Pressure Control Equipment  
Flow Control Equipment/Fittings  
Detection Switches  
Fluid Control Equipment  
Process Gas Equipment  
Electric Actuators  
Auto Switches

# Parallel Type Air Gripper Standard Type

# 25A-MHZ2 Series

ø10, ø16, ø20, ø25, ø32, ø40



## How to Order

### Bore size

ø16 to ø25

25A-MHZ2-16 D [ ] - M9BW [ ]

Series compatible with secondary batteries

Number of fingers  
2 2 fingers

Bore size

10	10 mm
16	16 mm
20	20 mm
25	25 mm

Action  
D Double acting

Number of auto switches

Nil	2
S	1
n	n

Auto switch

Nil Without auto switch (Built-in magnet)

\* Refer to page 260 for applicable auto switch models.

Finger position/option

Standard (MHQG2 compatible type)

Nil: Basic type

1: Side tapped mounting

2: Through-holes in opening/closing direction

3: Flat type fingers

The flat type fingers do not have standard and narrow options.

Narrow type (MHQ2 compatible type)

N: Basic type

N1: Side tapped mounting

N2: Through-holes in opening/closing direction



### Bore size

ø32, ø40

25A-MHZ2-32 D [ ] - M9BW [ ]

Series compatible with secondary batteries

Number of fingers  
2 2 fingers

Bore size

32	32 mm
40	40 mm

Action  
D Double acting

Number of auto switches

Nil	2
S	1
n	n

Auto switch

Nil Without auto switch (Built-in magnet)

\* Refer to page 260 for applicable auto switch models.

Finger option

[Standard]

Nil: Basic type

1: Side tapped mounting

2: Through-holes in opening/closing direction

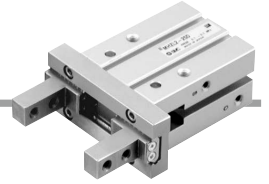
3: Flat type fingers



\* The 25A-series specifications and dimensions are the same as those of the standard model.

For details, refer to the Web Catalog.

# Parallel Type Air Gripper Long Stroke Type **25A-MHZL2 Series** ø10, ø16, ø20, ø25



## How to Order

**25A - MHZL2 - 16 D**   - **M9BW**  

Series compatible with secondary batteries

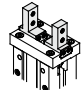
Number of fingers  
2 2 fingers

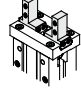
Bore size

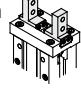
Symbol	Bore size [mm]
<b>10</b>	10 mm
<b>16</b>	16 mm
<b>20</b>	20 mm
<b>25</b>	25 mm

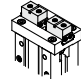
Action  
D Double acting

Finger option

Nil: Basic type 

1: Side tapped mounting 

2: Through-holes in opening/closing direction 

3: Flat type fingers 

Number of auto switches

Nil	2
<b>S</b>	1
<b>n</b>	n

Auto switch

Nil	Without auto switch (Built-in magnet)
-----	---------------------------------------

\* Refer to page 260 for applicable auto switch models.

\* The 25A- series specifications and dimensions are the same as those of the standard model.

For details, refer to the **Web Catalog**.

- Directional Control Valves
- Air Cylinders
- Related Products
- Rotary Actuators
- Air Grippers**
- Vacuum Equipment
- Air Preparation Equipment
- Clean Air Filters
- Modular F.R.L./Pressure Control Equipment
- Flow Control Equipment/Fittings
- Detection Switches
- Fluid Control Equipment
- Process Gas Equipment
- Electric Actuators
- Auto Switches

# 25A-MHZJ2 Series



## 25A-MHZJ2-X6100 (Made to Order)

Parallel Type Air Gripper with Dust Cover: Long Stroke Type

## 25A-MHZL2-X5955 (Made to Order)

### How to Order



#### With Dust Cover

**ø10 to ø25**  
**ø32, ø40**  
**Made to Order**

**25A-MHZJ2-16D** - **M9BW**

**25A-MHZJ2-32D** - **M9BW** - **X6100**

Series compatible with secondary batteries

**Bore size**

10	10 mm
16	16 mm
20	20 mm
25	25 mm

**Number of fingers**

2	2 fingers
---	-----------

**Bore size**

32	32 mm
40	40 mm

**Action**

D	Double acting
---	---------------

**Dust cover type**

Nil	Chloroprene rubber (CR)
F	Fluororubber (FKM)
S	Silicone rubber (Si)

**Auto switch**

Nil	Without auto switch (Built-in magnet)
S	1
n	n

**Number of auto switches**

Nil	2
S	1
n	n

\* Refer to page 260 for applicable auto switch models.

\* Sizes ø10 to ø25 of the 25A- series have the same specifications and dimensions as those of the standard model.

For details, refer to the **Web Catalog**.

\* Sizes ø32 and ø40 of the 25A- series have the same specifications and dimensions as those of the MHZJ2-X6100 (made-to-order individual specifications).

For details, refer to the **Web Catalog**.

#### Long Stroke Type/ With Dust Cover (Made to Order)

**ø10 to ø20**

**25A-MHZL2-16D** - **M9BW** - **X5955**

Series compatible with secondary batteries

**Number of fingers**

2	2 fingers
---	-----------

**Bore size/Stroke**

Symbol	Bore size [mm]
10	10 mm
16	16 mm
20	20 mm

**Action**

D	Double acting
---	---------------

**Dust cover type**

Nil	Chloroprene rubber (CR)
F	Fluororubber (FKM)
S	Silicone rubber (Si)

**Auto switch**

Nil	Without auto switch (Built-in magnet)
S	1
n	n

**Number of auto switches**

Nil	2
S	1
n	n

**Long stroke type/ With dust cover**

\* The 25A- specifications and dimensions are the same as those of the MHZL2-X6110 (made to order individual specifications).

For details, refer to the **Web Catalog**.

# Low Profile Air Gripper

## 25A-MHF2 Series

ø8, ø12, ø16, ø20



### How to Order



**25A-MHF 2 - 12 D [ ] [ ] - M9BW [ ]**

• **Number of fingers**  

2	2 fingers
---	-----------

• **Series compatible with secondary batteries**

• **Bore size [mm]**

8	8
12	12
16	16
20	20

• **Action**

D	Double acting
---	---------------

• **Stroke**

Nil	Short stroke
1	Medium stroke
2	Long stroke

• **Number of auto switches**

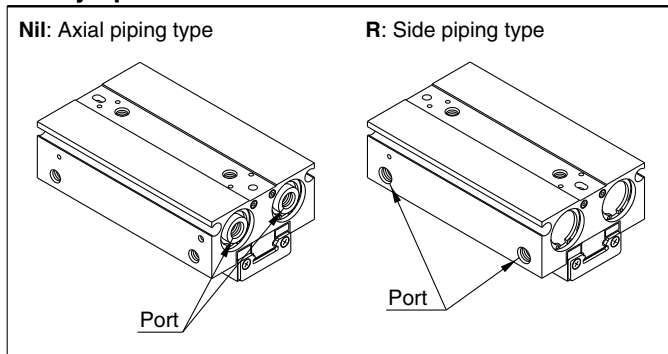
Nil	2
S	1
n	n

• **Auto switch**

Nil	Without auto switch (Built-in magnet)
-----	---------------------------------------

\* Refer to page 261 for applicable auto switch models.

• **Body option**



\* The 25A- series specifications and dimensions are the same as those of the standard model.

For details, refer to the **Web Catalog**.

Directional Control Valves
Air Cylinders
Related Products
Rotary Actuators
<b>Air Grippers</b>
Vacuum Equipment
Air Preparation Equipment
Clean Air Filters
Modular F.R.L./Pressure Control Equipment
Flow Control Equipment/Fittings
Detection Switches
Fluid Control Equipment
Process Gas Equipment
Electric Actuators
Auto Switches

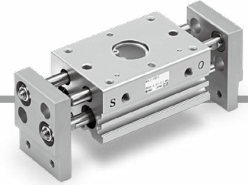
# Parallel Type Air Gripper: Wide Type

## 25A-MHL2 Series

∅10, ∅16, ∅20, ∅25, ∅32, ∅40

RoHS

### How to Order



**25A-MHL2-20D**  **Z-M9BW**

Series compatible with secondary batteries

Wide opening

Number of fingers  
**2** 2 fingers

Bore size

10	10 mm
16	16 mm
20	20 mm
25	25 mm
32	32 mm
40	40 mm

Action

<b>D</b>	Double acting
----------	---------------

Number of auto switches

Nil	2
S	1
n	n

Auto switch

Nil	Without auto switch (Built-in magnet)
-----	---------------------------------------

\* Refer to page 261 for applicable auto switch models.

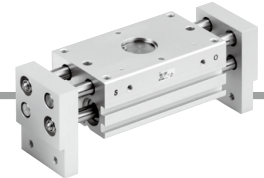
Opening/Closing stroke [mm]

Symbol	∅10	∅16	∅20	∅25	∅32	∅40
Nil	20	30	40	50	70	100
1	40	60	80	100	120	160
2	60	80	100	120	160	200

\* The 25A- series specifications and dimensions are the same as those of the standard model.

For details, refer to the Web Catalog.

### How to Order



**25A-MHL2-20D**  **M9BW**

Series compatible with secondary batteries

Wide opening

Number of fingers  
**2** 2 fingers

Bore size

10	10 mm
16	16 mm
20	20 mm
25	25 mm
32	32 mm
40	40 mm

Action

<b>D</b>	Double acting
----------	---------------

Number of auto switches

Nil	2
S	1
n	n

Auto switch

Nil	Without auto switch (Built-in magnet)
-----	---------------------------------------

\* Refer to page 261 for applicable auto switch models.

Opening/Closing stroke [mm]

Symbol	∅10	∅16	∅20	∅25	∅32	∅40
Nil	20	30	40	50	70	100
1	40	60	80	100	120	160
2	60	80	100	120	160	200

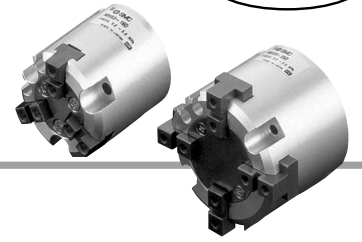
\* The 25A- series specifications and dimensions are the same as those of the standard model.

For details, refer to the Web Catalog.

# Parallel Type Air Gripper

## 25A-MHS□ Series

∅16, ∅20, ∅25, ∅32



### How to Order

**25A - MHS 3 - 20D - M9BW □**

Series compatible with secondary batteries

Number of fingers

3	3 fingers
4	4 fingers

Bore size

16	16 mm
20	20 mm
25	25 mm
32	32 mm

Action

D	Double acting
---	---------------

Number of auto switches

Nil	2
S	1

Auto switch

Nil	Without auto switch (Built-in magnet)
-----	---------------------------------------

\* Refer to page 261 for applicable auto switch models.

\* The 25A- series specifications and dimensions are the same as those of the standard model.

For details, refer to the **Web Catalog**.

Directional Control Valves

Air Cylinders

Related Products

Rotary Actuators

Air Grippers

Vacuum Equipment

Air Preparation Equipment

Clean Air Filters

Modular F.R.L./Pressure Control Equipment

Flow Control Equipment/Fittings

Detection Switches

Fluid Control Equipment

Process Gas Equipment

Electric Actuators

Auto Switches

# Parallel Type Air Gripper 3-Finger Type with Dust Cover

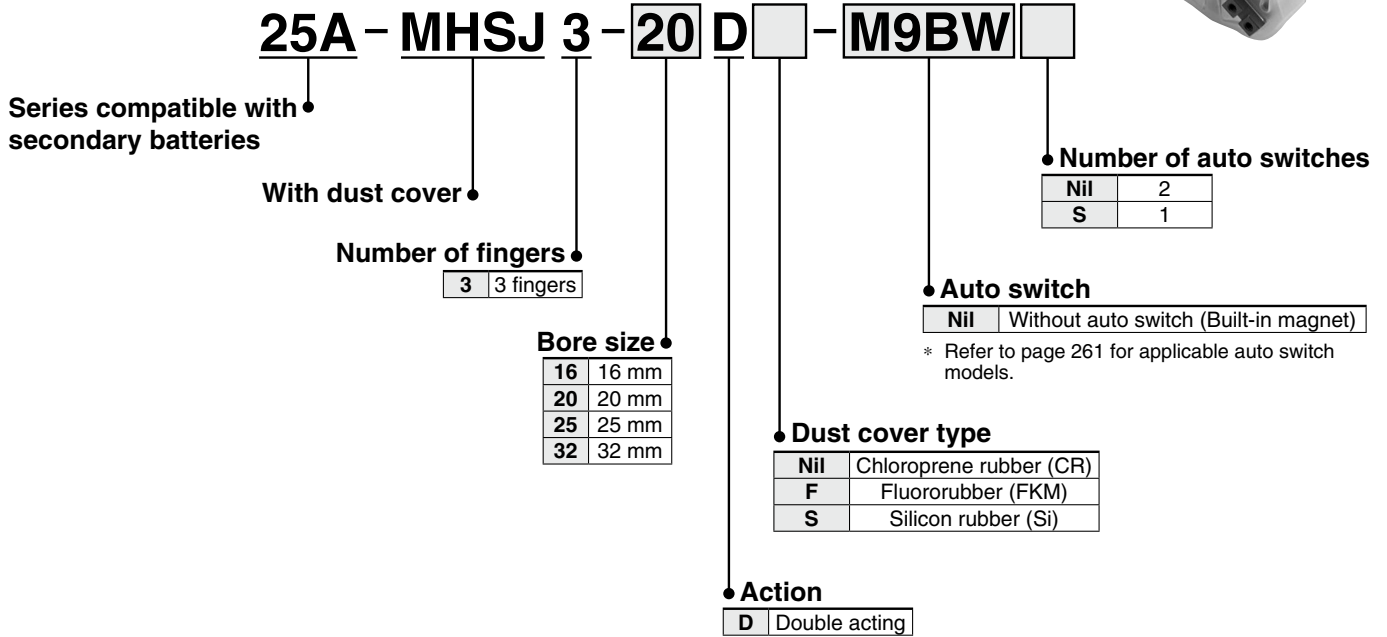
## 25A-MHSJ3 Series

ø16, ø20, ø25, ø32

RoHS



### How to Order



\* The 25A- series specifications and dimensions are the same as those of the standard model.

For details, refer to the **Web Catalog**.



# 180° Angular Type Air Gripper Cam Type

# 25A-MHY2 Series

ø10, ø16, ø20, ø25

RoHS



## How to Order

25A - MHY 2 - 16 D 2 - M9BW

Series compatible with secondary batteries

Number of fingers

2	2 fingers
---	-----------

Bore size

10	10 mm
16	16 mm
20	20 mm
25	25 mm

Action

D	Double acting
---	---------------

Number of auto switches

Nil	2
S	1
n	n

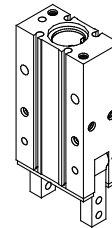
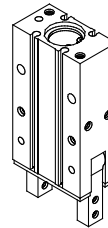
Auto switch

Nil	Without auto switch (Built-in magnet)
-----	---------------------------------------

\* Refer to page 261 for applicable auto switch models.

Finger option

Nil: Standard tapped mounting      2: Through-holes in opening/closing direction



\* The 25A- series specifications and dimensions are the same as those of the standard model.

For details, refer to the **Web Catalog**.

Directional Control Valves

Air Cylinders

Related Products

Rotary Actuators

Air Grippers

Vacuum Equipment

Air Preparation Equipment

Clean Air Filters

Modular F.R.L./Pressure Control Equipment

Flow Control Equipment/Fittings

Detection Switches

Fluid Control Equipment

Process Gas Equipment

Electric Actuators

Auto Switches

# 180° Angular Type Air Gripper Rack & Pinion Type

RoHS

# 25A-MHW2 Series

∅20, ∅25, ∅32, ∅40, ∅50



## How to Order

**25A-MHW2-20** **D** **1** - **M9BW**

Series compatible with secondary batteries

Number of fingers  
2 | 2 fingers

Bore size

20	20 mm
25	25 mm
32	32 mm
40	40 mm
50	50 mm

Port thread type

Symbol	Type	Size
Nil	M thread	∅20, ∅25
	Rc	∅32
TN	NPT	∅40
TF	G	∅50

Action

D | Double acting

Number of auto switches

Nil	2
S	1
N	n

Auto switch

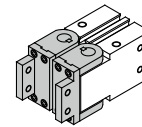
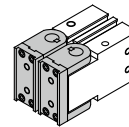
Nil | Without auto switch (Built-in magnet)

\* Refer to page 261 for applicable auto switch models.

Finger option

Nil: Flat type fingers (Standard)

1: Right angle type fingers tapped mounting



- \* Change of material and surface treatment are not available for the bearing or the parallel key.
- \* As metal-to-metal collision occurs when the fingers are fully closed, dust particles may be generated.

\* The 25A- series specifications and dimensions are the same as those of the standard model.

For details, refer to the **Web Catalog**.