

# Filter Regulator

## Stainless Steel 316 and Special Temperature Environment (-40°C) Specifications

# AW30/40-X2622

- External parts material: Stainless steel 316
- Ambient and fluid temperature: -40 to 80°C
- NACE International Standards compliant

The JIS component standards of the external parts and the component measurement results of the certificate for materials are within the ANSI/NACE standards.



### How to Order

AW **30** - **03** - **2** - **X2622**

① ② ③ ④ ⑤ ⑥

Stainless steel 316 specification

• Option/Semi-standard: Select one each for a to d.  
 • Option/Semi-standard symbol: When more than one specification is required, indicate in alphanumeric order.  
 Example) AW30-03C-2R-X2622A

	Symbol	Description	① Body size	
			30	40
② Thread type	Nil	Rc	●	●
	N	NPT	●	●
	F	G	●	●
	+			
③ Port size	02	1/4	●	●
	03	3/8	●	●
	04	1/2	—	●
	06	3/4	—	●
	+			
④ Option i	a	Float type auto drain	●	●
		Nil Without option C Note 1) Float type auto drain (N.C.)	●	●
⑤ Semi-standard	b	Bowl	●	●
		2 Note 2) Metal bowl		
	+			
c	Flow direction	Nil Flow direction: Left to right R Flow direction: Right to left	●	●
	+			
⑥ Option ii	d	Pressure gauge Note 3) Bracket	●	●
		Nil Without option A Round type pressure gauge (without limit indicator) B With bracket C Round type pressure gauge (without limit indicator), With bracket	●	●
			●	●
			●	●

IP  
IW  
1301  
AW  
IL1   
IL2   
IT  
CP   
IS  
VFN  
IN-T

Note 1) When the float type auto drain is selected, the fluid temperature range is -5 to 60°C (with no freezing), and the maximum operating pressure is 1.0 MPa. Take measures if the fluid temperature is likely to be out of the specified range due to the ambient temperature.

Note 2) Only metal bowl is available.

Note 3) The pressure gauge is shipped together, but not assembled. AW30: G43-10-□01-X3 or AW40: G43-10-□02-X3 is included.

### Specifications

Fluid	Air
Ambient and fluid temperature	-40 to 80°C (with no freezing)
Proof pressure	3.0 MPa
Maximum operating pressure	2.0 MPa
Set pressure range	0.05 to 0.85 MPa
Nominal filtration rating	5 μm
Drain capacity (cm <sup>3</sup> )	AW30: 20, AW40: 80
Construction	Relieving type
Weight (kg)	AW30: 1.19, AW40: 3.40

### Applicable Model

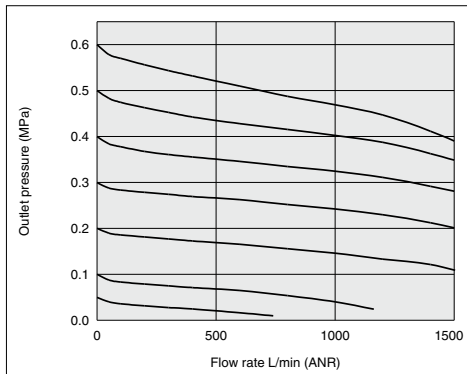
Model	AW30	AW40
Port size	1/4, 3/8	1/4, 3/8, 1/2, 3/4

# AW30/40-X2622

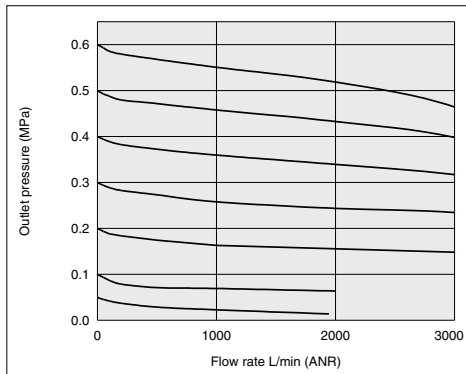
## Flow Rate Characteristics (Representative values)

Condition: Inlet pressure 0.7 MPa

### AW30-02-2-X2622



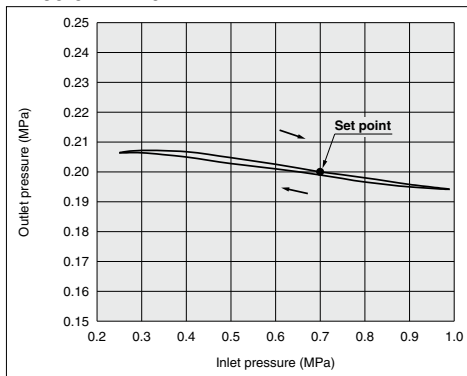
### AW40-04-2-X2622



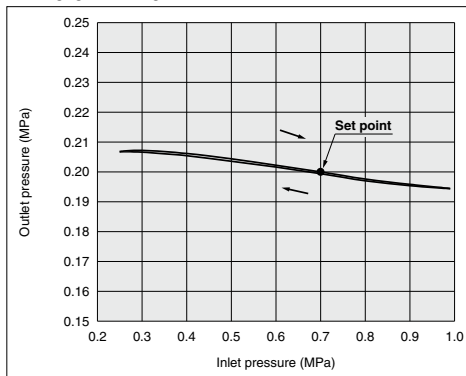
## Pressure Characteristics (Representative values)

Conditions: Inlet pressure 0.7 MPa, Outlet pressure 0.2 MPa, Flow rate 20 L/min (ANR)

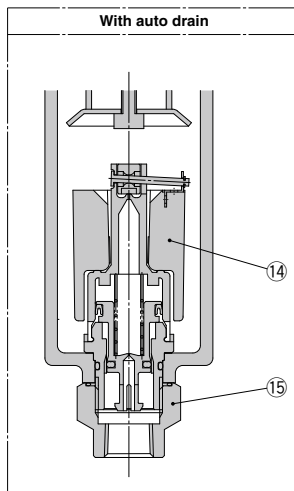
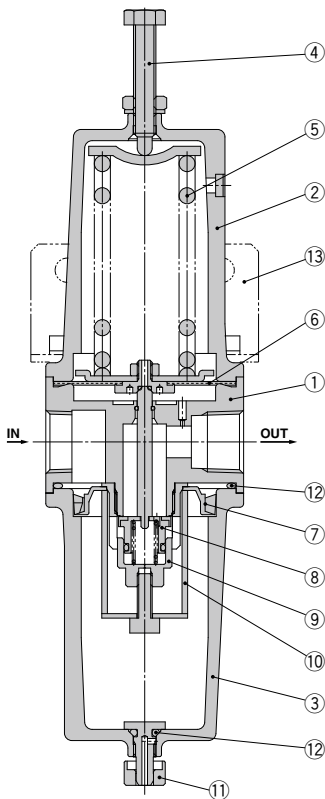
### AW30-02-2-X2622



### AW40-04-2-X2622



**Construction**



**Component Parts**

No.	Description	Material
1	Body	SCS14A (Equivalent to Stainless steel 316)
2	Bonnet	SCS14A (Equivalent to Stainless steel 316)
3	Bowl	SCS14A (Equivalent to Stainless steel 316)
4	Pressure adjustment screw	Stainless steel 316L
5	Adjusting spring	Stainless steel 304
6	Diaphragm	CR
7	Deflector	PBT
8	Valve	Stainless steel 316/Low-temperature NBR
9	Valve guide	Stainless steel 316
10	Element	Stainless steel 316L
11	Drain cock	Stainless steel 316
12	O-ring	Low-temperature NBR
13	Bracket	Stainless steel 316
14	Auto drain	POM/PBT/Foamed phenol/NBR etc.
15	Drain guide	Stainless steel 316

IP

IW

1301

**AW**

IL1

IL2

IT

CP

IS

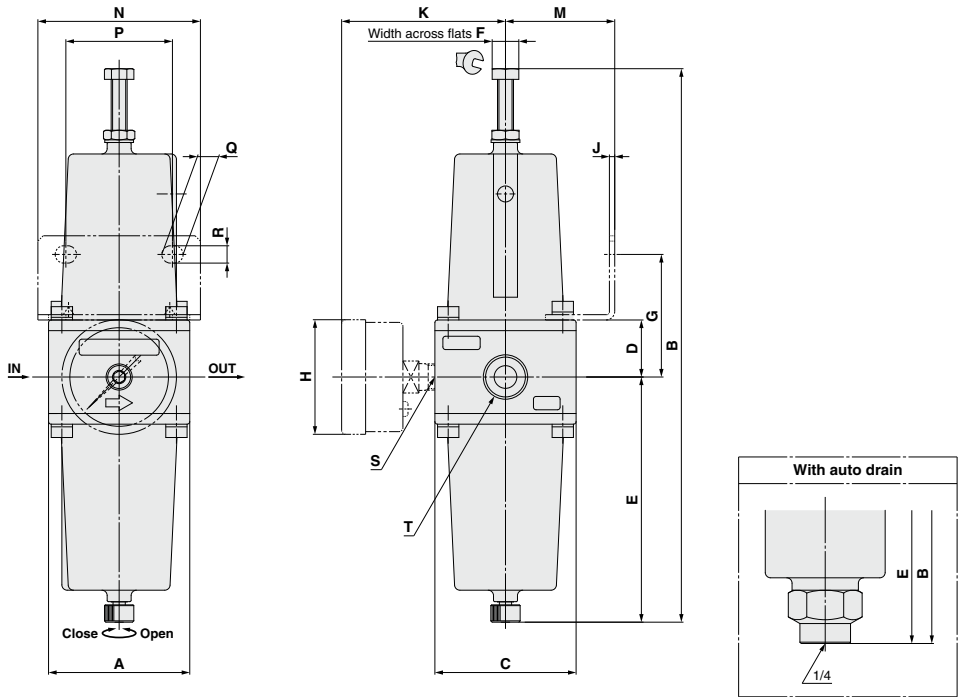
VFN

IN-

T

# AW30/40-X2622

## Dimensions



Model	T	A	B	C	D	E	F	G	H	J	K	M	N	P	Q	R	S	With auto drain	
																		B	E
AW30-X2622	1/4, 3/8	53	208	53	21.4	92	10	46	ø43	2	61.5	41	61	40	8	6.5	1/8	255	139.5
AW40-X2622	1/4, 3/8, 1/2, 3/4	75	334	72	29.8	146	13	56	ø43	2.5	73	50	80	54	10.5	8.5	1/4	366	178