

Compact Guide Cylinder With Flange

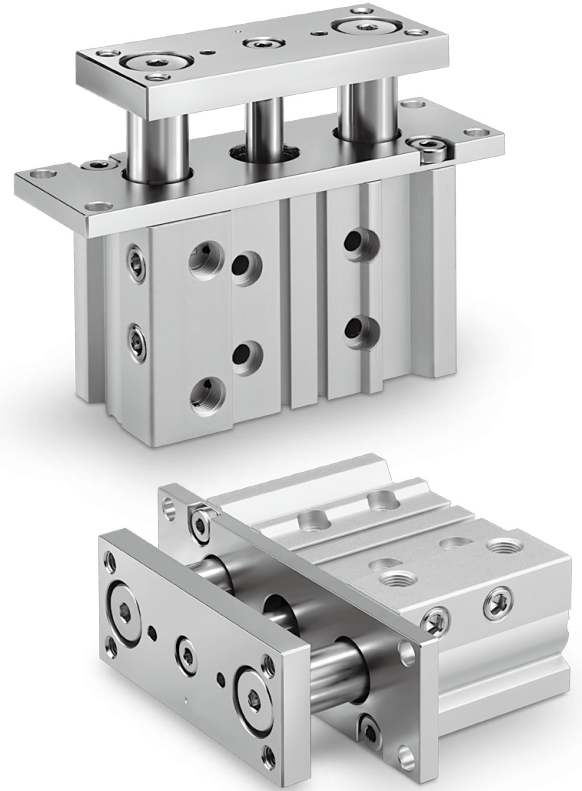
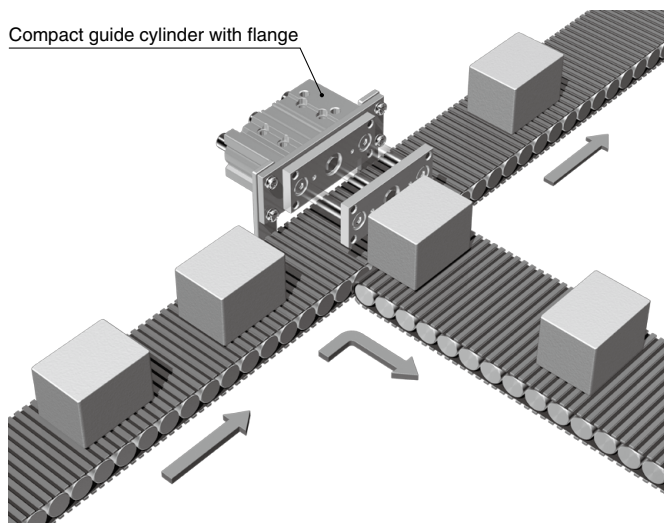
ø12, ø16, ø20, ø25, ø32, ø40, ø50, ø63, ø80, ø100

■ Plate side flange type added.

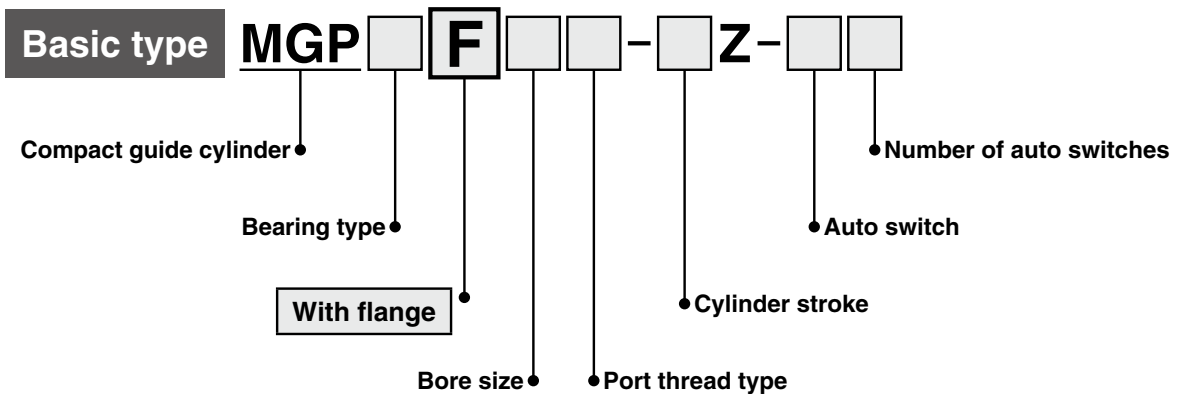
Application Example

Delivery

Compact guide cylinder with flange



How to Order



Symbols other than those for the mounting bracket are the same as the standard type. For details, refer to the **WEB catalog** or Best Pneumatics No. 3.

Series **MGP**

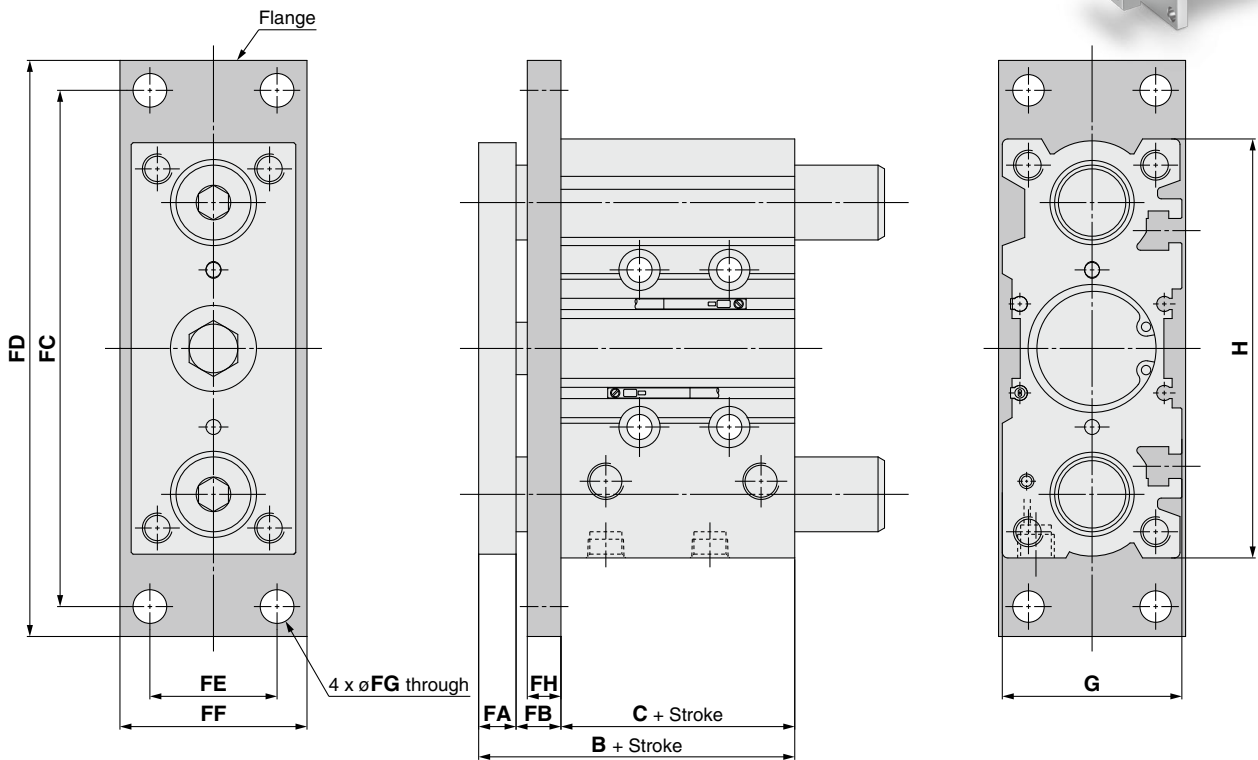
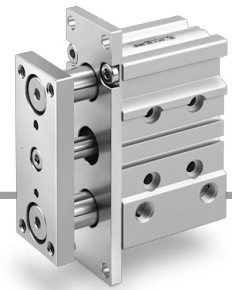


15-E649

Series MGP

Dimensions: $\varnothing 12$ to $\varnothing 100$ With Flange

MGP□F



Bore size	B	C	FA	FB	FC	FD	FE	FF	FG	FH	G	H
12	42	29	7	6	80	89	18	25	4.5	5	26	58
16	46	33	7	6	88	98	22	32	5.5	5	30	64
20	53	37	8	8	102	112	24	38	5.5	6	36	83
25	53.5	37.5	9	7	114	126	30	40	6.6	6	42	93
32	59.5	37.5	10	12	138	154	34	50	9	9	48	112
40	66	44	10	12	146	162	40	60	9	9	54	120
50	72	44	12	16	178	198	46	65	11	10	64	148
63	77	49	12	16	192	212	58	75	11	10	78	162
80	96.5	56.5	16	24	238	262	54	90	13.5	16	91.5	202
100	116	66	19	31	280	308	62	100	15.5	22	111.5	240

⚠ Caution

Do not use this cylinder as a stopper.

Dimensions other than those shown above are the same as the standard type. For details, refer to the **WEB catalog** or Best Pneumatics No. 3.

⚠ Safety Instructions Be sure to read the "Handling Precautions for SMC Products" (M-E03-3) and "Operation Manual" before use.