

**Plug-in Type**

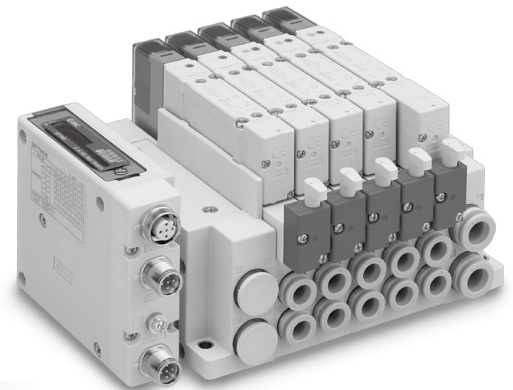
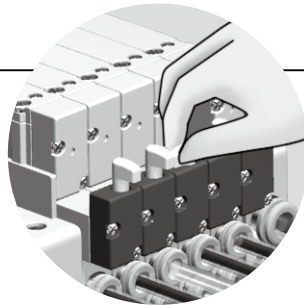
# SUP Stop Valve Spacer

With Residual Pressure Release Valve

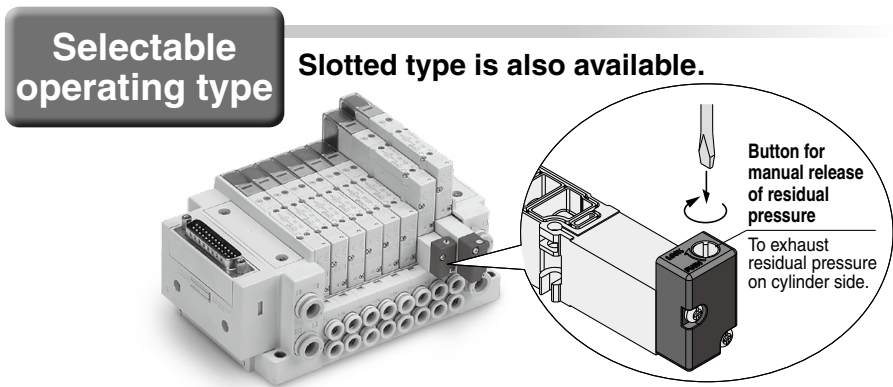
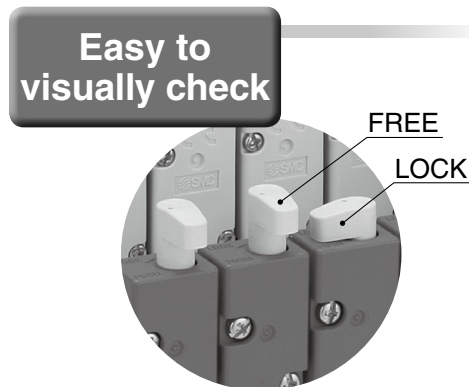
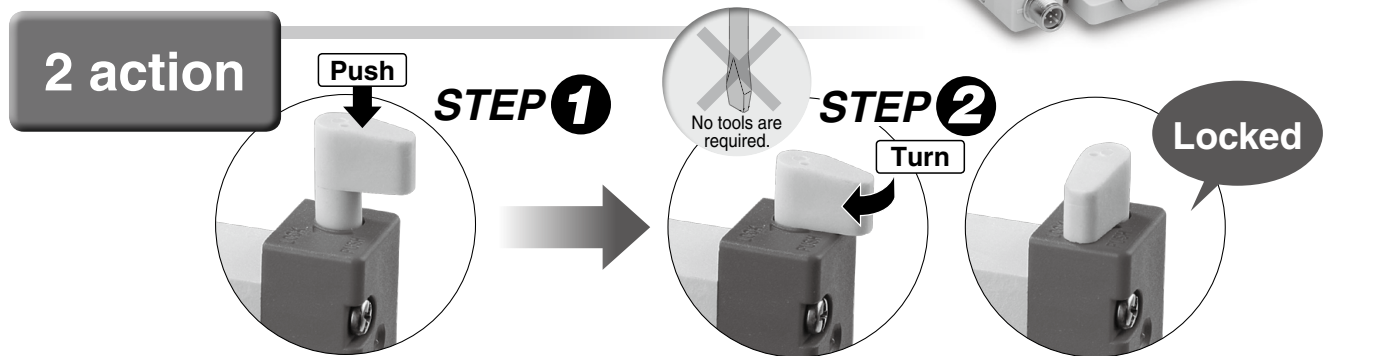
**Lever Type**

RoHS

**Lever type is added to manual override button!**



Solenoid valves can be replaced individually without shutting off the main pressure! Note)



**Air for solenoid valves can be shut off individually!**

The operation of an actuator can be checked by shutting off the air for the solenoid valves on the base individually, while the main air is being supplied during a trial operation.

**Solenoid valves can be replaced individually!**

The solenoid valves can be replaced individually without stopping the equipment during maintenance.

**<Application example>**  
Air operated valves, such as sanitary valve and automatic valve control

Note) This product is only for internal pilot specifications, as the external pilot air cannot be shut off.

## SY30/50/70M-50-1AE



13-E618

## How to Order

# SY 3 0M-50-1A E

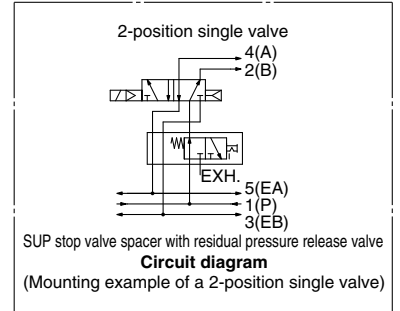
### Series

|   |        |
|---|--------|
| 3 | SY3000 |
| 5 | SY5000 |
| 7 | SY7000 |

### Manual override

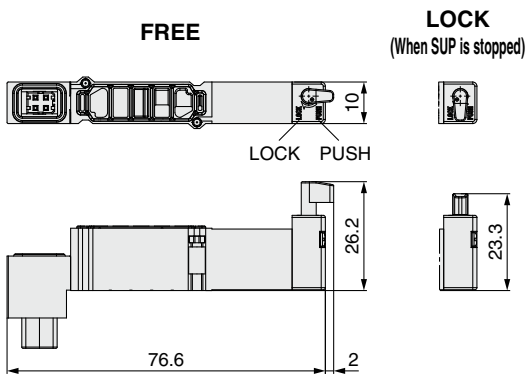
|     |                                |
|-----|--------------------------------|
| Nil | Push-turn locking slotted type |
| E   | Push-turn locking lever type   |

### Symbol

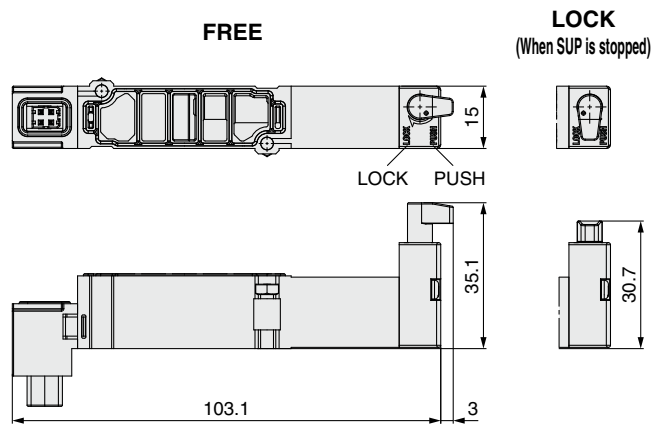


## Dimensions

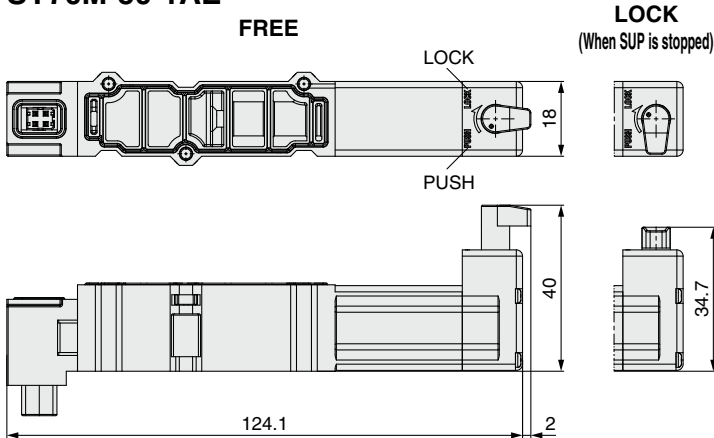
### SY30M-50-1AE



### SY50M-50-1AE



### SY70M-50-1AE



\* Refer to the **WEB catalog** or CAT.ES11-103 for the details about dimensions when the SUP stop valve spacer is mounted to the manifold.

\* The mounting method is the same as the existing type (slotted type).

\* When locking the lever type manual override, push the lever down in the PUSH position with your fingers until it stops, then turn the lever 90° clockwise (PUSH → LOCK)

Turning the lever without pushing it down until it stops can cause damage to the manual override and other problems such as air leakages.

To unlock the manual override, turn the lever counterclockwise, (LOCK → PUSH)

**⚠ Safety Instructions** Be sure to read "Handling Precautions for SMC Products" (M-E03-3) before using.