

752-753 VALVE WITH SF SWITCH BOX

FEATURES

The 752-753+SFball valve is used to manually shut-off pipes with non-loaded industrial fluids, up to a pressure of 16 bar. The SF switch box makes it possible to see the position directly and has feedback information control. The 752-753 valve is a full-bore split-body valve, EC 2014/68-, ATEX-, fire safe- and ISO 15848-1-approved for fugitive emissions. Its dimensions are standardised according to EN 558-1 series 27. The SF switch box is provided with 2 dry switches (standard). Due to its IP67 leak-tightness, it can be installed both indoors and outdoors. Different contacts and detectors are available as options.

AVAILABLE MODELS

752: 1.0619 carbon steel body.

753: 1.4408 SS body.

DN 15 to DN 150 diameters.

PN16 RF flange connections.

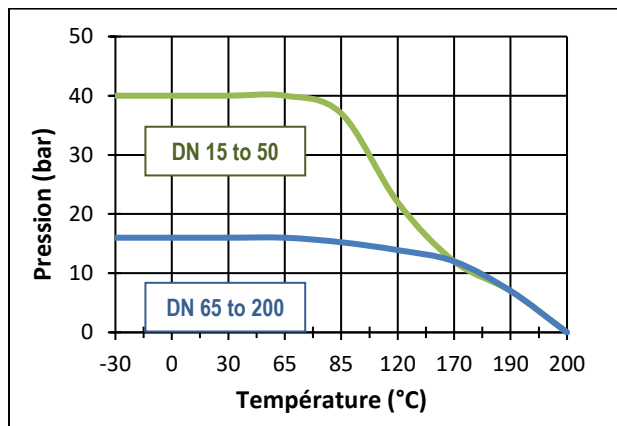
Electrical connection: 2 x M20x1.5.



as an option



LIMITS OF USE



Fluid pressure: WP	<u>DN 15 to 50</u> : 40 bar (20°C) <u>DN 65 to 200</u> : 16 bar (20°C)
Fluid temperature: WT°	Steel: -20°C / +200°C Stainless steel: -30°C +200°C
Ambient temperature	-20°C / +80°C
IP Code	IP67

Information given as an indication only, and subject to possible modifications



SECTORIEL S.A.
 45 rue du Ruisseau
 38290 SAINT QUENTIN-FALLAVIER – FRA NCE
 Telephone: +33 4 74 94 90 70 - Fax: +33 4 74 94 13 95
www.sectoriel.fr / Email : sectoriel@sectoriel.fr

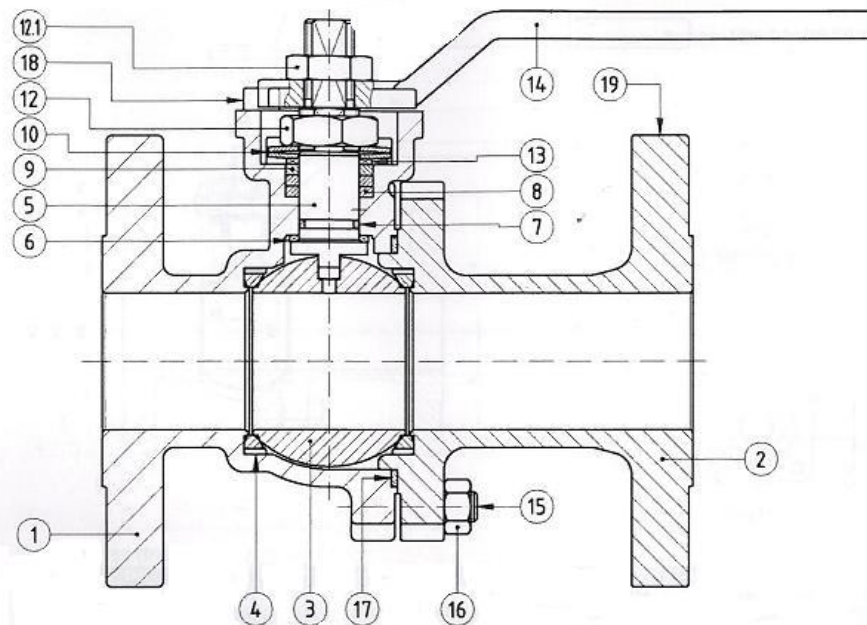
Pages	1/3
Ref.	FT752+SF ENG
Rev.	02
Date	06/2020

752-753 VALVE WITH SF SWITCH BOX

DIRECTIVES AND MANUFACTURING STANDARDS

OBJECT	Standard	ON	OBJECT	Standard
Pressure Equipment Directive 2014/68/EC	DN 15 to 20: not subject		Final test	EN 12266
	DN 25 to 100: category III	BV 0062	Material certificate	EN 10204
Design	EN 1983 and ISO 17292			
Size	EN 12516-1		Steel grades	EN 1503-1
Flange dimensions	EN 1092-1		Face-to-face dimension	EN 558-1 series 27
Fire safe	ISO 10497 (2004)		Fugitive emissions	EN 15848-1
Connection Motorisation	ISO 5211		Actuator pilot connection	NAMUR
ATEX Directive	II 2G/D Tx zones 1,2,21 and 22		Switch box connection	VDI/VDE 3845
	EN 13463-1		SIL 3 level (the actuator alone)	EN 61508

CONSTRUCTION



No.	Name	Steel 752	753 SS	No.	Name	Steel 752	753 SS
1	Body	1.0619 steel	1.4408 SS	12	CG nut	303 SS	
2	Ends	1.0619 steel	1.4408 SS	12.1	Lever nut	303 SS	
3	Sphere	1.4408 SS		13	Anti-friction ring	PTFE + +25% GF	
4	Seat	PTFE / TFM 1600		14	Lever	GS cast iron	
5	Stem	1.4401 SS		15	Tie-bolts	A193 B7M	A193 B8M
6	Washer	PTFE + +25% GF		16	Tie-bolt nut	A193 2HM	A194 8M
7	Stem O-ring	FKM		17	Body gasket	Stainless steel + PTFE + graphite	
8	Cable gland	Graphite		18	Stop screw	A2	
9	CG pressure finger	303 SS		19	Plate	Stainless steel	
10	Belleville spring	Inconel 718					

Information given as an indication only, and subject to possible modifications

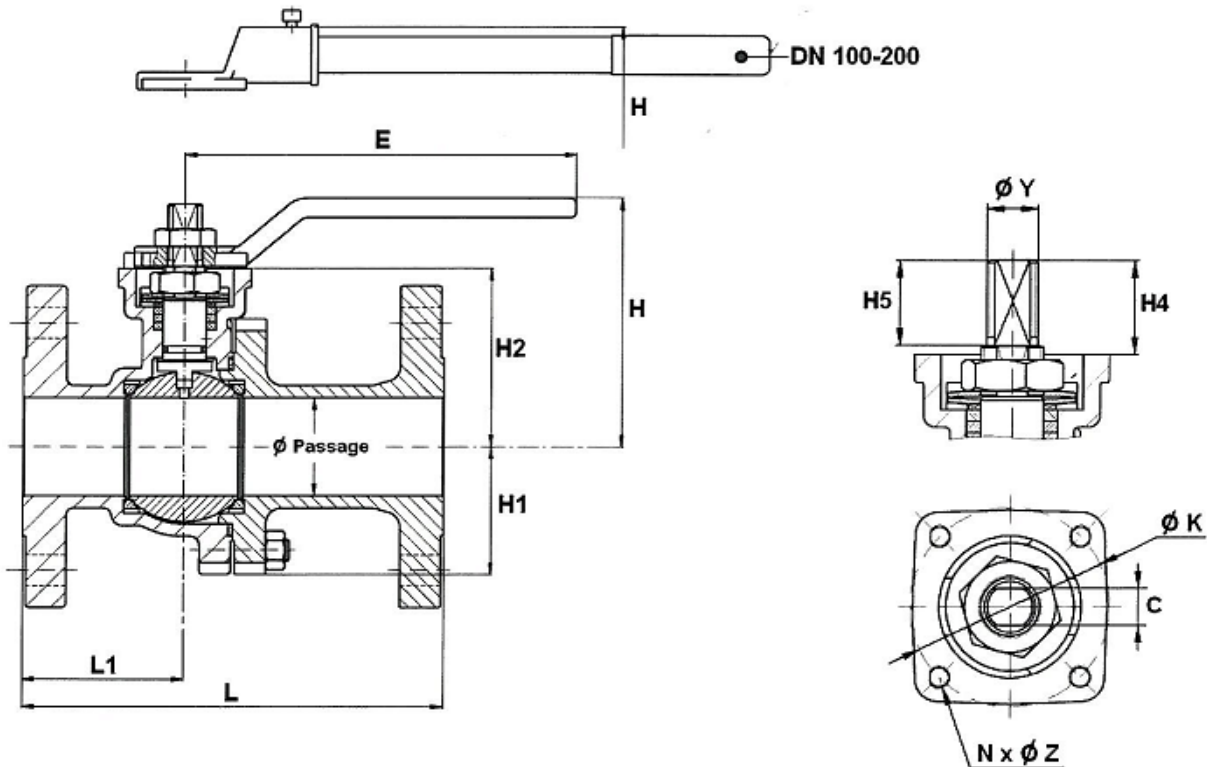


SECTORIEL S.A.
45 rue du Ruisseau
38290 SAINT QUENTIN-FALLAVIER – FRA NCE
Telephone: +33 4 74 94 90 70 - Fax: +33 4 74 94 13 95
www.sectoriel.fr / Email : sectoriel@sectoriel.fr

Pages	2/3
Ref.	FT752+SF ENG
Rev.	02
Date	06/2020

752-753 VALVE WITH SF SWITCH BOX

DIMENSIONS (mm)



DN	15	20	25	32	40	50	65	80	100	125	150	200
Φ	15	20	25	32	40	50	65	78	100	125	151	203
L	115	120	125	130	140	150	170	180	190	325	350	400
L1	53	52	52	54	55	61	72	73	83	120	135	200
E	170	170	170	170	215	215	350	450	466	775	775	845
H	68	70	86	89.5	122.5	127.5	140	190	192.5	240	259	319
H1	31	33	39	43	48	63	78	87	108	134	152	202
H2	41	43	58.5	63.5	86.5	91.5	104	118.5	144	184	203	250
H4	18	18	22	22	33	33	34	34	45	56	56	69
H5	11	11	21	21	32	32	33	33	43.5	54.5	54.5	67
Φ Y	M10	M10	M12	M12	M18	M18	M22	M22	M28	M36	M36	M48
Φ K	50	50	50	50	70	70	70	102	102	125	125	140
ISO	F05	F05	F05	F05	F07	F07	F07	F10	F10	F12	F12	F14
N x Φ Z	4xM6	4xM6	4xM6	4xM6	4xM8	4xM8	4xM8	4xM10	4xM10	4xM12	4xM12	4xM16
Weight (kg)	2.4	3.2	4.1	5.8	8.1	10.6	13.3	19.1	25.6	47.6	63.5	115.3

FLOW-RATE COEFFICIENT Kv (m³/h)

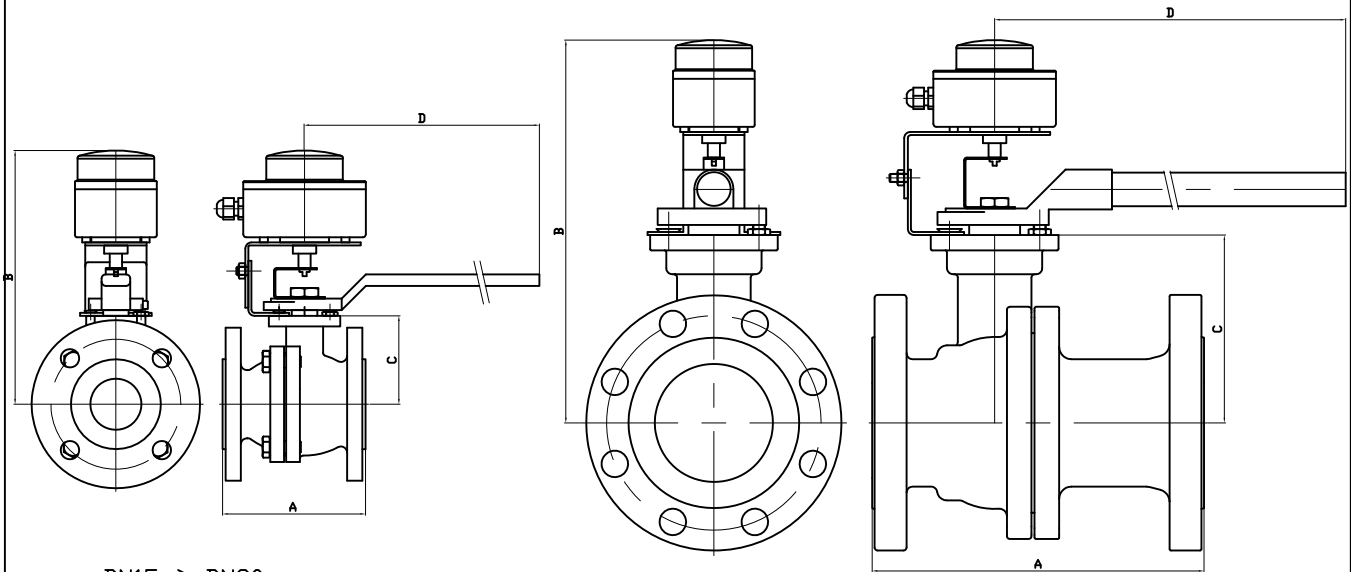
DN	15	20	25	32	40	50	65	80	100	125	150	200
Kv	20	40	75	130	170	270	550	1000	1650	3000	4200	9000

Information given as an indication only, and subject to possible modifications



SECTORIEL S.A.
45 rue du Ruisseau
38290 SAINT QUENTIN-FALLAVIER – FRA NCE
Telephone: +33 4 74 94 90 70 - Fax: +33 4 74 94 13 95
www.sectoriel.fr / Email : sectoriel@sectoriel.fr

Pages	3/3
Ref.	FT752+SF ENG
Rev.	02
Date	06/2020




DN15 à DN80

DN100 à DN150

DN	DN15	DN20	DN25	DN32	DN40	DN50	DN65	DN80	DN100	DN125	DN150
A	115	120	125	130	140	150	170	180	190	325	350
B	222.5	224.5	240	245	268	282	294.5	309	344.5	394.5	413.5
C	41	43	58.5	63.5	86.5	91.5	104	118.5	144	184	203
D	170	170	170	170	215	215	335	430	466	680	680
KG	3.65	4.45	5.4	7.05	9.4	11.9	14.6	20.6	27.05	49.2	65.05

Informations données à titre indicatif et sous réserve de modifications éventuelles
data subject to alteration

Ech: /	Date :14/10/2014	Dessiné par : E.D.	Tolérances générales : +/- 0.2	Modifications	Date	REV.
ROBINET A TOURNANT SPHERIQUE 752-753/BALL VALVE 752-753 + BFC/LIMIT SWITCH BOX				Matière :		
				Poids <Kg> :		
 45, Rue du Ruisseau 38297 SAINT QUENTIN FALLAVIER				Traitement : SANS		
				Plan n° Ens 1197		

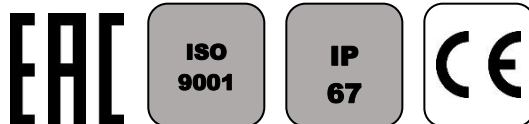
SF-TYPE SOLDO SWITCH BOXES

FEATURES

The SF-type switch box is intended for equipping quarter-turn pneumatic actuators and manual valves. It makes it possible to have an easy, direct view of the valve position and of the feedback information to control. Of robust construction, it can be installed outdoors. The position indicator provides a very good visual reading of the valve position. The SF switch box can be equipped with many switches and detectors (see below). The notched cams can be manually adjusted with great accuracy, and are insensitive to vibrations.

AVAILABLE MODELS

SF: IP67 model



LIMITS OF USE

Ambiant temperature	-20°C / +80°C
IP Code	IP 67
SF	Outside ATEX zone

MECHANICAL CONNECTION

Axis dimension	According to VDI/VDE 3845
Attachment	ISO 5211 F05
Stainless steel arches for attachment on to the actuator	<u>NAMUR 0</u> : 50x25x20 mm <u>NAMUR 1</u> : 80x30x20 mm <u>NAMUR 2</u> : 80x30x30 mm <u>NAMUR 3</u> : 130x30x30 mm <u>NAMUR 4</u> : 130x30x50 mm



ELECTRICAL CONNECTION

Standard cable inputs	2 x M20x1.5
-----------------------	-------------

CONSTRUCTION

Casing and lid	Aluminium
Coating	Polyester paint
Stem	Stainless steel
Dome	Polycarbonate



Information given as an indication only, and subject to possible modifications



SECTORIEL S.A.
 45 rue du Ruisseau
 38290 SAINT QUENTIN-FALLAVIER – FRANCE
 Tél : +33 4 74 94 90 70 – Fax : +33 4 74 94 13 95
www.sectoriel.fr / Email : sectoriel@sectoriel.fr

Pages	1/3
Ref.	FT4620 ENG
Rev.	04
Date	04/2017

SF-TYPE SOLDO SWITCH BOXES

SWITCH DETAILS SF model

Ref.	Switch	Features
01	SPDT el.mech. switch silver plated contacts	Max 5A-250Vac / min 50mA-250Vac Max 5A-125Vac / min 50mA-125Vac Max 3A-24Vdc / min 50mA-24Vdc
03	SPDT el.mech. switch gold plated contacts (for Exia cert)	Max 1,8A/3A-250Vac / min 5mA-250Vac Max 2A/3A-125vac / min 5mA-125Vac Max 1,2A/1,5A-24Vdc / min 1mA-24Vdc
1F	DPDT el.mech. switch silver plated contacts	
C4	SPDT magnetic hermetically sealed reed switch.	Max 0,1A-120Vac / 1A-24Vdc
C8	DPDT magnetic hermetically sealed reed switch.	Max 0,1A-120Vac / 1A-24Vdc
N1	SPDT magnetic hermetically sealed silver plated snap acting contacts	Max 5A-250Vac / 5A-28Vdc
N3	SPDT magnetic hermetically sealed gold plated snap acting contacts	Max 1A-250Vac / 1A-30Vdc
N4	DPDT magnetic hermetically sealed silver plated snap acting contacts	Max 5A-250Vac / 5A-28Vdc
60	Inductive proximity NAMUR sensor SJ3,5-N	2 wire NC logic (for Exia cert)
62	Inductive proximity NAMUR sensor SJ3,5-SN	2 wire NC logic (for Exia cert, safety funct. low temp)
63	Inductive proximity NAMUR sensor - SJ3,5-S1N	2 wire NO logic (for Exia cert, safety funct)
70	Inductive proximity NAMUR - NJ2-V3-N	2 wire (for Exia cert)
73	Inductive proximity sensor (+70°C max.) - NBB2-V3-E2	P+F - 3 wire PNP NO amplified 10-30 Vdc, 100 mA
75	Inductive proximity sensor - IS 5026	IFM - 2 wire NO/NC amplified 5-36 Vdc, 200 mA
83	Inductive proximity sensor - NBB3-V3-Z4	P+F - 2 wire NO amplified 5-60 Vdc, 100 mA
TO	4-20 mA position transmitter	12-30 Vdc
HO	4-20 mA HART position transmitter	Atex Ex ia IIC T6 / T4 – certified 8-30Vdc

OPTIONS

There are many options for which you are invited to contact our sales service:

	SS : stainless steel box
	3-Channel L or T indicators
L	LT : version -40°C (according to the type of switch)
P	LT 1 : version -55°C (according to the type of switch)
1	Cable inputs 1/2" NPT
	Pilot-solenoid valve wiring
G	EAC Certificate
U	UL Certificate

Information given as an indication only, and subject to possible modifications

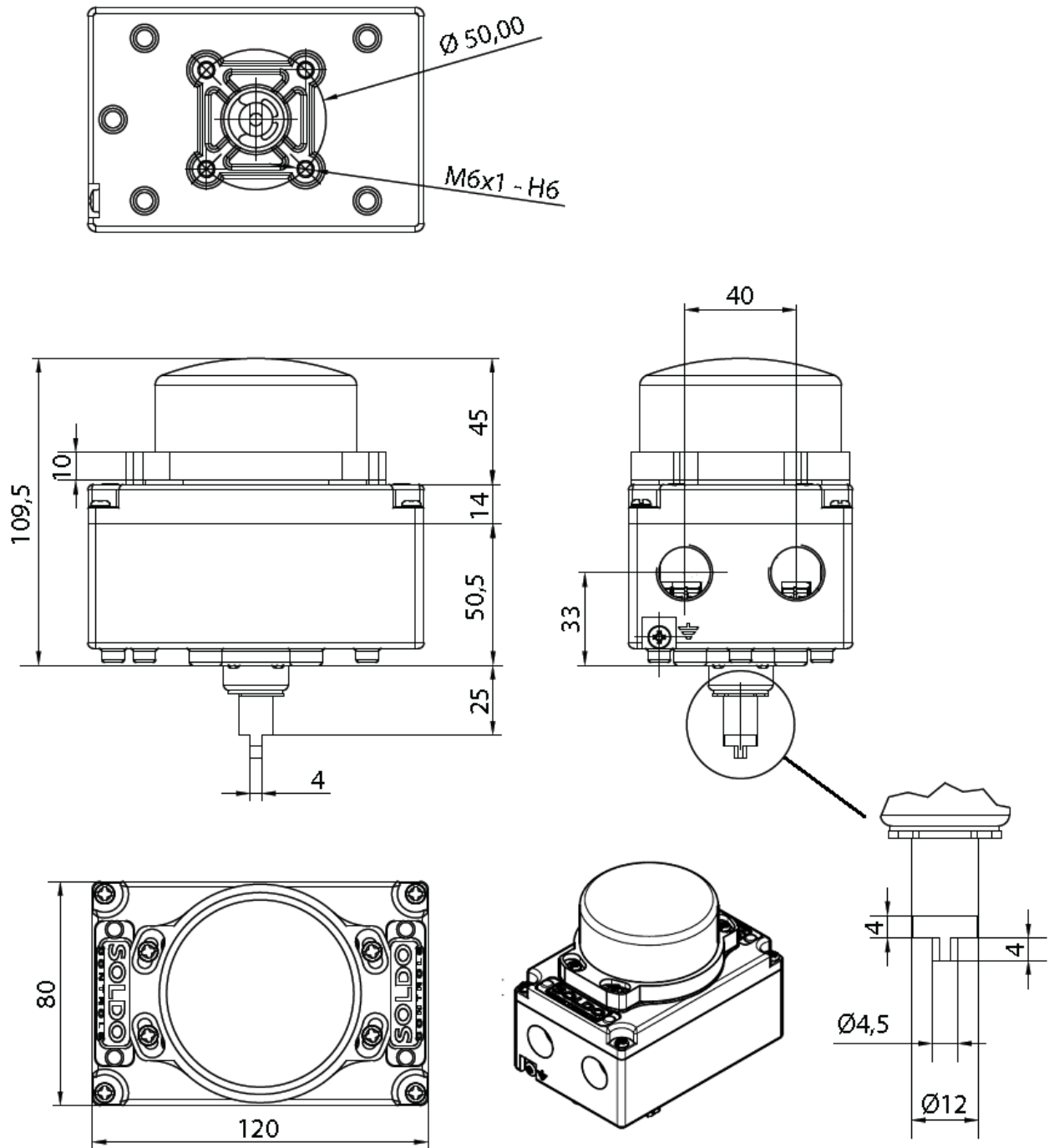


SECTORIEL S.A.
45 rue du Ruisseau
38290 SAINT QUENTIN-FALLAVIER – FRANCE
Tél : +33 4 74 94 90 70 – Fax : +33 4 74 94 13 95
www.sectoriel.fr / Email : sectoriel@sectoriel.fr


Pages	2/3
Ref.	FT4620 ENG
Rev.	04
Date	04/2017

SF-TYPE SOLDO SWITCH BOXES

DIMENSIONS (mm)



Information given as an indication only, and subject to possible modifications

	SECTORIEL S.A. 45 rue du Ruisseau 38290 SAINT QUENTIN-FALLAVIER – FRANCE Tél : +33 4 74 94 90 70 – Fax : +33 4 74 94 13 95 www.sectoriel.fr / Email : sectoriel@sectoriel.fr	Pages	3/3
		Ref.	FT4620 ENG
		Rev.	04
		Date	04/2017