

# 762-763 VALVE WITH SF SWITCH BOX

## FEATURES

The 762-763+SF ball valve is intended for the manual shut-off of pipes with non-loaded industrial fluids of medium pressure, with direct view on position and feedback information control. The 762-763 valve is a full-bore split-body valve, EC 2014/68-, ATEX-, fire safe- and ISO 15848-1-approved. Its size is standardised according to EN 558-1 series 27. The SF switch box is equipped, as standard, with 2 dry contacts. Due to its IP67 leak-tightness, it can be installed both indoors and outdoors. Different contacts and detectors are available as options. Lockable handle.

## AVAILABLE MODELS

762: 1.0619 carbon steel body.

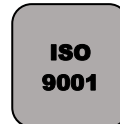
763: 1.4408 SS body.

DN 15 to DN 100 diameters.

DN 15 to DN 50: PN16/40 RF flange connections.

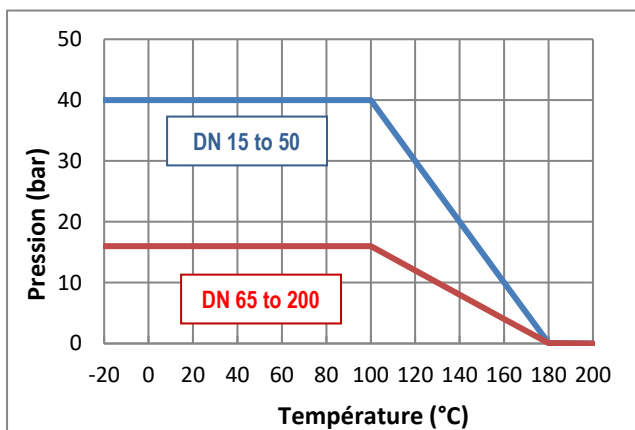
DN 65 to DN 100: PN16 RF flange connections.

Electrical connection: 2 x M20x1.5.



## LIMITS OF USE

<b>Fluid pressure: WP</b>	<u>DN 15 to 50</u> : 40 bar (20°C) <u>DN 65 to 200</u> : 16 bar (20°C)
<b>Fluid temperature: WT°</b>	-20°C / +200°C
<b>Ambient temperature</b>	-20°C / +80°C
<b>Index of protection</b>	IP67



Information given as an indication only, and subject to possible modifications

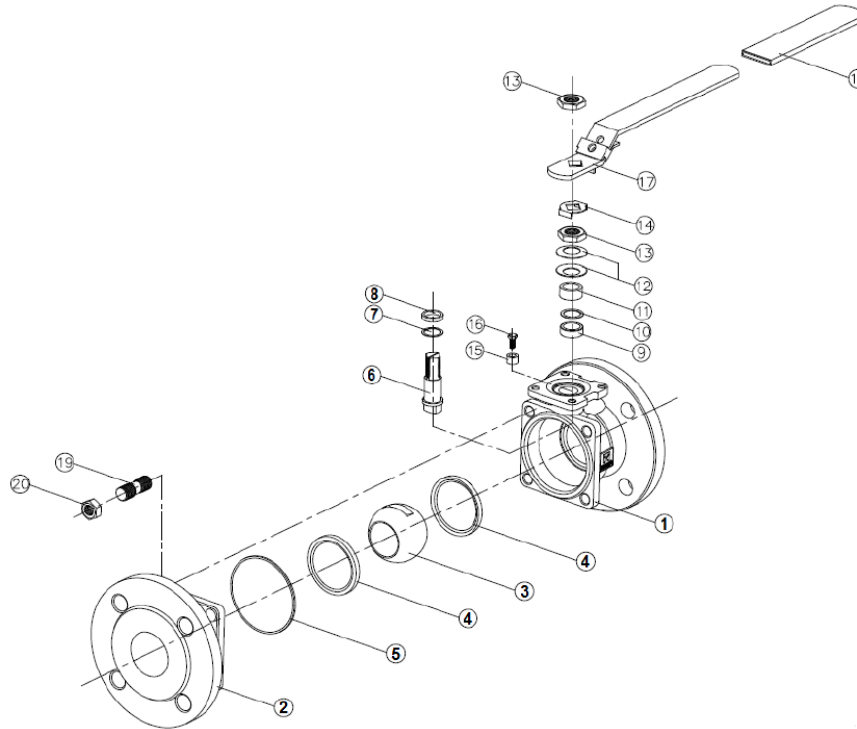
	SECTORIEL S.A. 45 rue du Ruisseau 38290 SAINT QUENTIN-FALLAVIER – FRA NCE Telephone: +33 4 74 94 90 70 - Fax: +33 4 74 94 13 95 <a href="http://www.sectoriel.fr">www.sectoriel.fr</a> / Email : sectoriel@sectoriel.fr	Pages	1/3
		Ref.	FT762+SF ENG
		Rev.	02
		Date	06/2020

# 762-763 VALVE WITH SF SWITCH BOX

## DIRECTIVES AND MANUFACTURING STANDARDS

OBJECT	Standard	ON	OBJECT	Standard
Pressure Equipment Directive 2014/68/EC	DN 15 to 20: not subject		Final test	EN 12266
	DN 25 to 200: category II	0035	Material certificate	EN 10204
Size	EN 12516-1		Steel grades	EN 1503-1
Flange dimensions	EN 1092-1		Face-to-face dimension	EN 558-1 series 27
ATEX Directive	II 2G/D Tx zones 1,2,21 and 22		Fire safe	API 607
	EN 13463-1		Connection Motorisation	ISO 5211

## CONSTRUCTION



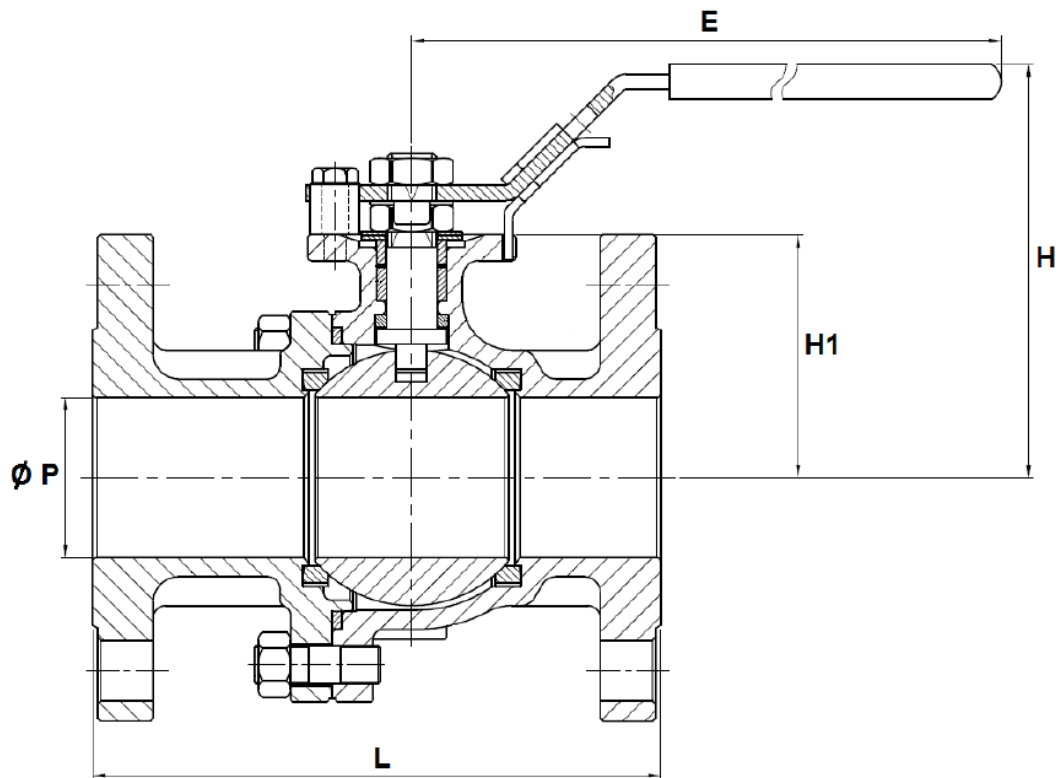
No.	Name	Steel 762	763 SS	No.	Name	Steel 762	763 SS
1	Body	1.0619 steel	1.4408 SS	12	Bellevile washers	301 SS	
2	Ends	1.0619 steel	1.4408 SS	13	Nut	304 SS	
3	Sphere	1.4408 SS		14	Lock washer	304 SS	
4	Seat	Glass loaded PTFE		15	Stop	304 SS	
5	Body gasket	Graphite		16	Stop screw	304 SS	
6	Stem	ASTM A276 316 SS		17	Handle	304 SS	
7	Ring	Carbon loaded PTFE		18	Sheath	PVC	
8	Ring	Carbon loaded PTFE		19	Stud	304 SS	
9	CG gasket	Graphite		20	Nut	304 SS	
10	CG gasket	Carbon loaded PTFE					

Information given as an indication only, and subject to possible modifications

	SECTORIEL S.A. 45 rue du Ruisseau 38290 SAINT QUENTIN-FALLAVIER – FRA NCE Telephone: +33 4 74 94 90 70 - Fax: +33 4 74 94 13 95 <a href="http://www.sectoriel.fr">www.sectoriel.fr</a> / Email : sectoriel@sectoriel.fr	Pages	2/3
		Ref.	FT762+SF ENG
		Rev.	02
		Date	06/2020

# 762-763 VALVE WITH SF SWITCH BOX

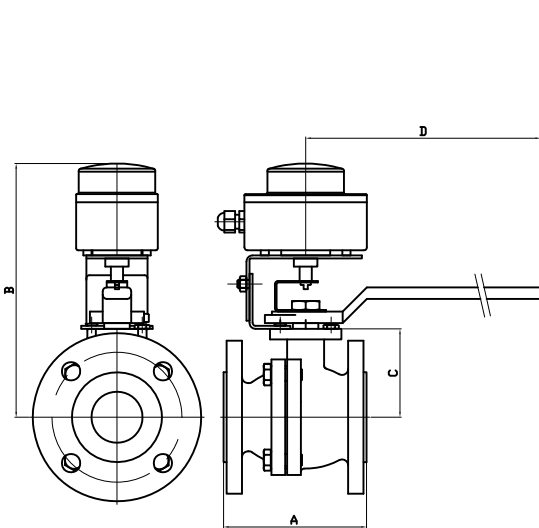
## DIMENSIONS (mm)



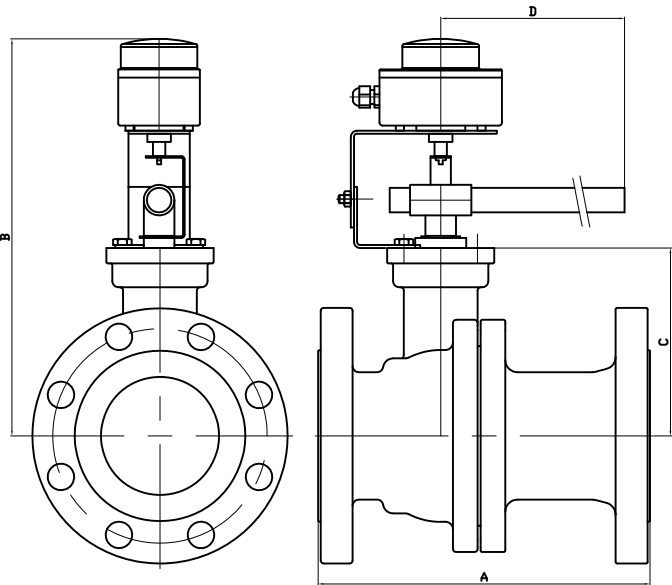
DN	15	20	25	32	40	50	65	80	100	125	150	200
Ø P	15	20	24	30	38	50	64	76	98	125	150	200
L	115	120	125	130	140	150	170	180	190	325	350	400
E	158	158	196	196	245	261	400	400	400	743	743	925
H	76.5	78.1	92	96	109.1	115.6	188	194	215	239.6	256.5	323.5
H1	39	42.5	52	56	66	73	86.5	91.5	113.5	147	170	201
Weight (kg)	2.3	3	4	5.5	7	9.3	14.4	17.5	23.3	36.7	52	78

Information given as an indication only, and subject to possible modifications

	SECTORIEL S.A. 45 rue du Ruisseau 38290 SAINT QUENTIN-FALLAVIER – FRA NCE Telephone: +33 4 74 94 90 70 - Fax: +33 4 74 94 13 95 <a href="http://www.sectoriel.fr">www.sectoriel.fr</a> / Email : sectoriel@sectoriel.fr	Pages	3/3
		Ref.	FT762+SF ENG
		Rev.	02
		Date	06/2020




DN15 à DN50



DN65 à DN100

DN	DN15	DN20	DN25	DN32	DN40	DN50	DN65	DN80	DN100
A	115	120	125	130	140	150	170	180	190
B	220.5	224.5	233.5	237.5	247.5	254.5	311.5	316.5	338.5
C	39	42.5	52	56	66	73	86.5	91.5	113.5
D	158	158	196	196	245	261	400	400	400
KG	3.5	4.2	5.2	6.7	8.2	10.5	15.8	18.9	24.7

Informations données à titre indicatif et sous réserve de modifications éventuelles  
data subject to alteration

Ech: /	Date :17/11/2014	Dessiné par : E.D.	Tolérances générales : +/- 0.2	Modifications	Date	REV.
ROBINET A TOURNANT SPHERIQUE 762-763/BALL VALVE 762-763 + BFC/LIMIT SWITCH BOX				Matière :		
				Poids <Kg> :		
				Traitement : SANS		
				Plan n° Ens 1198		
45, Rue du Ruisseau 38297 SAINT QUENTIN FALLAVIER						

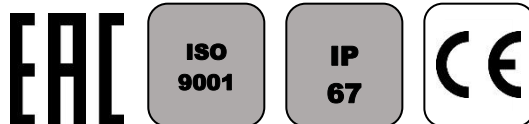
# SF-TYPE SOLDO SWITCH BOXES

## FEATURES

The SF-type switch box is intended for equipping quarter-turn pneumatic actuators and manual valves. It makes it possible to have an easy, direct view of the valve position and of the feedback information to control. Of robust construction, it can be installed outdoors. The position indicator provides a very good visual reading of the valve position. The SF switch box can be equipped with many switches and detectors (see below). The notched cams can be manually adjusted with great accuracy, and are insensitive to vibrations.

## AVAILABLE MODELS

SF: IP67 model



## LIMITS OF USE

Ambiant temperature	-20°C / +80°C
IP Code	IP 67
SF	Outside ATEX zone

## MECHANICAL CONNECTION

Axis dimension	According to VDI/VDE 3845
Attachment	ISO 5211 F05
Stainless steel arches for attachment on to the actuator	<u>NAMUR 0</u> : 50x25x20 mm <u>NAMUR 1</u> : 80x30x20 mm <u>NAMUR 2</u> : 80x30x30 mm <u>NAMUR 3</u> : 130x30x30 mm <u>NAMUR 4</u> : 130x30x50 mm

## ELECTRICAL CONNECTION

Standard cable inputs	2 x M20x1.5
-----------------------	-------------

## CONSTRUCTION

Casing and lid	Aluminium
Coating	Polyester paint
Stem	Stainless steel
Dome	Polycarbonate



Information given as an indication only, and subject to possible modifications



SECTORIEL S.A.  
45 rue du Ruisseau  
38290 SAINT QUENTIN-FALLAVIER – FRANCE  
Tél : +33 4 74 94 90 70 – Fax : +33 4 74 94 13 95  
[www.sectoriel.fr](http://www.sectoriel.fr) / Email : [sectoriel@sectoriel.fr](mailto:sectoriel@sectoriel.fr)

Pages	1/3
Ref.	FT4620 ENG
Rev.	04
Date	04/2017

# SF-TYPE SOLDO SWITCH BOXES

## SWITCH DETAILS SF model

Ref.	Switch	Features
01	SPDT el.mech. switch silver plated contacts	Max 5A-250Vac / min 50mA-250Vac Max 5A-125Vac / min 50mA-125Vac Max 3A-24Vdc / min 50mA-24Vdc
03	SPDT el.mech. switch gold plated contacts (for Exia cert)	Max 1,8A/3A-250Vac / min 5mA-250Vac Max 2A/3A-125ac / min 5mA-125Vac Max 1,2A/1,5A-24Vdc / min 1mA-24Vdc
1F	DPDT el.mech. switch silver plated contacts	
C4	SPDT magnetic hermetically sealed reed switch.	Max 0,1A-120Vac / 1A-24Vdc
C8	DPDT magnetic hermetically sealed reed switch.	Max 0,1A-120Vac / 1A-24Vdc
N1	SPDT magnetic hermetically sealed silver plated snap acting contacts	Max 5A-250Vac / 5A-28Vdc
N3	SPDT magnetic hermetically sealed gold plated snap acting contacts	Max 1A-250Vac / 1A-30Vdc
N4	DPDT magnetic hermetically sealed silver plated snap acting contacts	Max 5A-250Vac / 5A-28Vdc
60	Inductive proximity NAMUR sensor SJ3,5-N	2 wire NC logic (for Exia cert)
62	Inductive proximity NAMUR sensor SJ3,5-SN	2 wire NC logic (for Exia cert, safety funct. low temp)
63	Inductive proximity NAMUR sensor - SJ3,5-S1N	2 wire NO logic (for Exia cert, safety funct)
70	Inductive proximity NAMUR - NJ2-V3-N	2 wire (for Exia cert)
73	Inductive proximity sensor (+70°C max.) - NBB2-V3-E2	P+F - 3 wire PNP NO amplified 10-30 Vdc, 100 mA
75	Inductive proximity sensor - IS 5026	IFM - 2 wire NO/NC amplified 5-36 Vdc, 200 mA
83	Inductive proximity sensor - NBB3-V3-Z4	P+F - 2 wire NO amplified 5-60 Vdc, 100 mA
TO	4-20 mA position transmitter	12-30 Vdc
HO	4-20 mA HART position transmitter	Atex Ex ia IIC T6 / T4 – certified 8-30Vdc

## OPTIONS

There are many options for which you are invited to contact our sales service:

	SS : stainless steel box
	3-Channel L or T indicators
L	<b>LT</b> : version -40°C (according to the type of switch)
P	<b>LT 1</b> : version -55°C (according to the type of switch)
1	Cable inputs 1/2" NPT
	Pilot-solenoid valve wiring
G	EAC Certificate
U	UL Certificate

Information given as an indication only, and subject to possible modifications

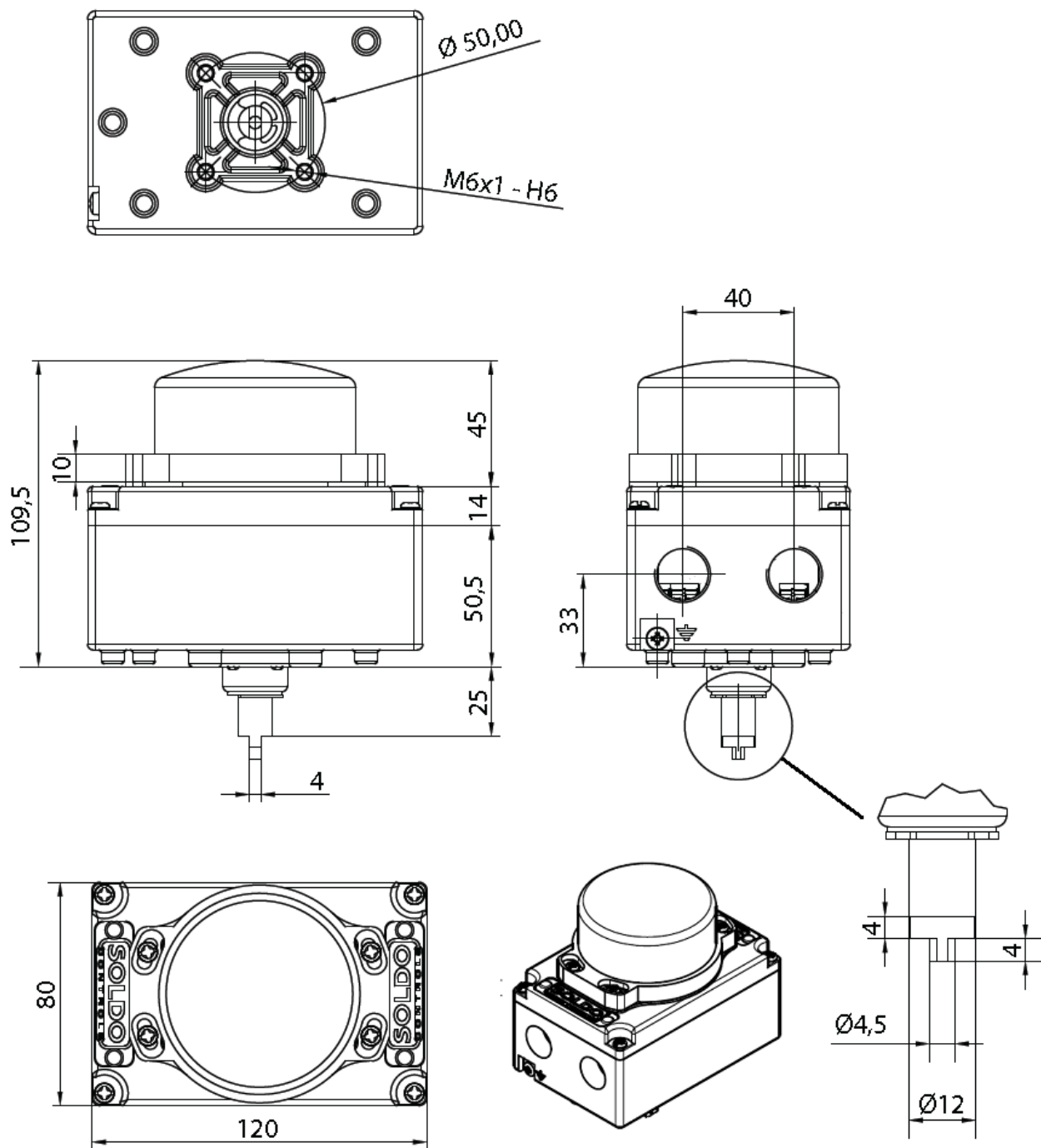


SECTORIEL S.A.  
45 rue du Ruisseau  
38290 SAINT QUENTIN-FALLAVIER – FRANCE  
Tél : +33 4 74 94 90 70 – Fax : +33 4 74 94 13 95  
[www.sectoriel.fr](http://www.sectoriel.fr) / Email : sectoriel@sectoriel.fr

Pages	2/3
Ref.	FT4620 ENG
Rev.	04
Date	04/2017

# SF-TYPE SOLDO SWITCH BOXES

## DIMENSIONS (mm)



Information given as an indication only, and subject to possible modifications



SECTORIEL S.A.  
 45 rue du Ruisseau  
 38290 SAINT QUENTIN-FALLAVIER – FRANCE  
 Tél : +33 4 74 94 90 70 – Fax : +33 4 74 94 13 95  
[www.sectoriel.fr](http://www.sectoriel.fr) / Email : sectoriel@sectoriel.fr

Pages	3/3
Ref.	FT4620 ENG
Rev.	04
Date	04/2017