

783-784-785-786 VALVE WITH SF SWITCH BOX

FEATURES

The 3-way 783-5+SF (L-shaped) and 781 XS+SF (T-shaped) steel and stainless steel ball valves provide the mixing, distribution or discharge functions for pipes with non-loaded industrial fluids. The SF switch box makes it possible to see the positions directly and has feedback information control. Floating ball construction for DN 25 to 80, and for trunnion ball for DN 100 to 150. The 783-4-5-6 valve is 2014/68 EC-approved. The SF switch box is equipped as standard with 2 dry contacts. Due to its IP67 leak-tightness, it can be installed both indoors and outdoors. Different contacts and detectors are available as options. Lockable handle.

AVAILABLE MODELS

Ref.	Material	Shape	Function
783	1.0619 carbon steel	L	Distribution
784	1.0619 carbon steel	T	Mixture
785	1.4408 SS	L	Distribution
786	1.4408 SS	T	Mixture



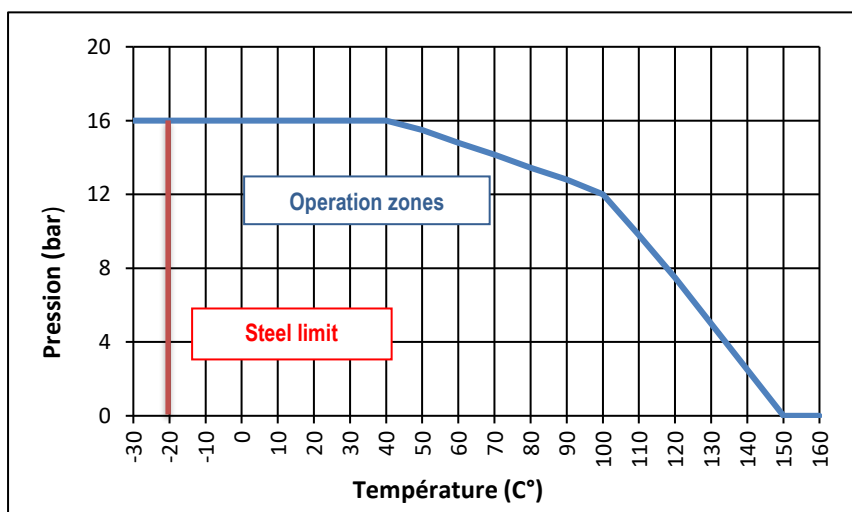
an option



DN 25 to DN 150 diameters.
PN16 RF flange connections.
Electrical connection: 2 x M20x1.5.

LIMITS OF USE

Fluid pressure: WP	16 bar (20°C)
Fluid temperature: WT°	Steel: -20°C / +150°C Stainless steel: -30°C / +150°C
Ambient temperature	-20°C / +80°C
IP Code	IP 67



Information given as an indication only, and subject to possible modifications



SECTORIEL S.A.
45 rue du Ruisseau
38290 SAINT QUENTIN-FALLAVIER – FRA NCE
Telephone: +33 4 74 94 90 70 - Fax: +33 4 74 94 13 95
www.sectoriel.fr / Email : sectoriel@sectoriel.fr

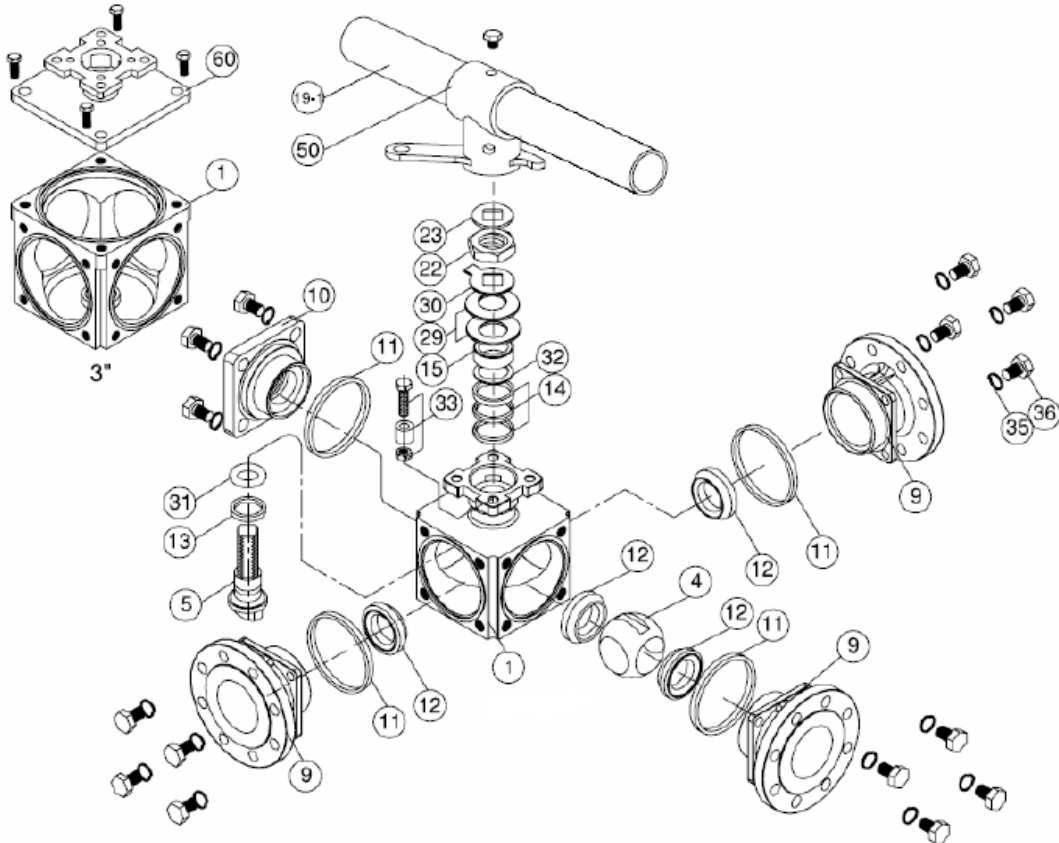
Pages	1/4
Ref.	FT783+SF ENG
Rev.	02
Date	06/2020

783-784-785-786 VALVE WITH SF SWITCH BOX

DIRECTIVES AND MANUFACTURING STANDARDS

OBJECT	Standard	ON	OBJECT	Standard
Directive 2014/68/EC	category II	0035	Material certificate	EN 10204
Size	EN 12516-1		Steel grades	EN 1503-1
Flange dimensions	EN 1092-1		Final test	EN 12266
Connection Motorisation	ISO 5211			

CONSTRUCTION DN50 to DN80



No.	Name	steel 783-784	785-786 SS	No.	Name	Material
1	Body	1.0619 steel	1.4408 SS	22	CG nut	304 SS
4	Sphere	1.4308 SS	1.4408 SS	23	Washer	304 SS
5	Stem	304 SS	316 SS	29	Belleville washers	301 SS
9	Ends	1.0619 steel	1.4408 SS	30	Lock washer	304 SS
10	Cover	1.0619 steel	1.4408 SS	31	O-ring	FKM
11	Body gasket	PTFE		32	CG gasket	PTFE+15% graphoil
12	Seat	PTFE + +15% GF		33	Stop	304 SS
13	Ring	PTFE		35	Washer	304 SS
14	Cable gland	PTFE		36	Screw	304 SS
15	Attachment ring	304 SS		50	Handle adaptor	304 SS
19	Handle	Steel				

Information given as an indication only, and subject to possible modifications

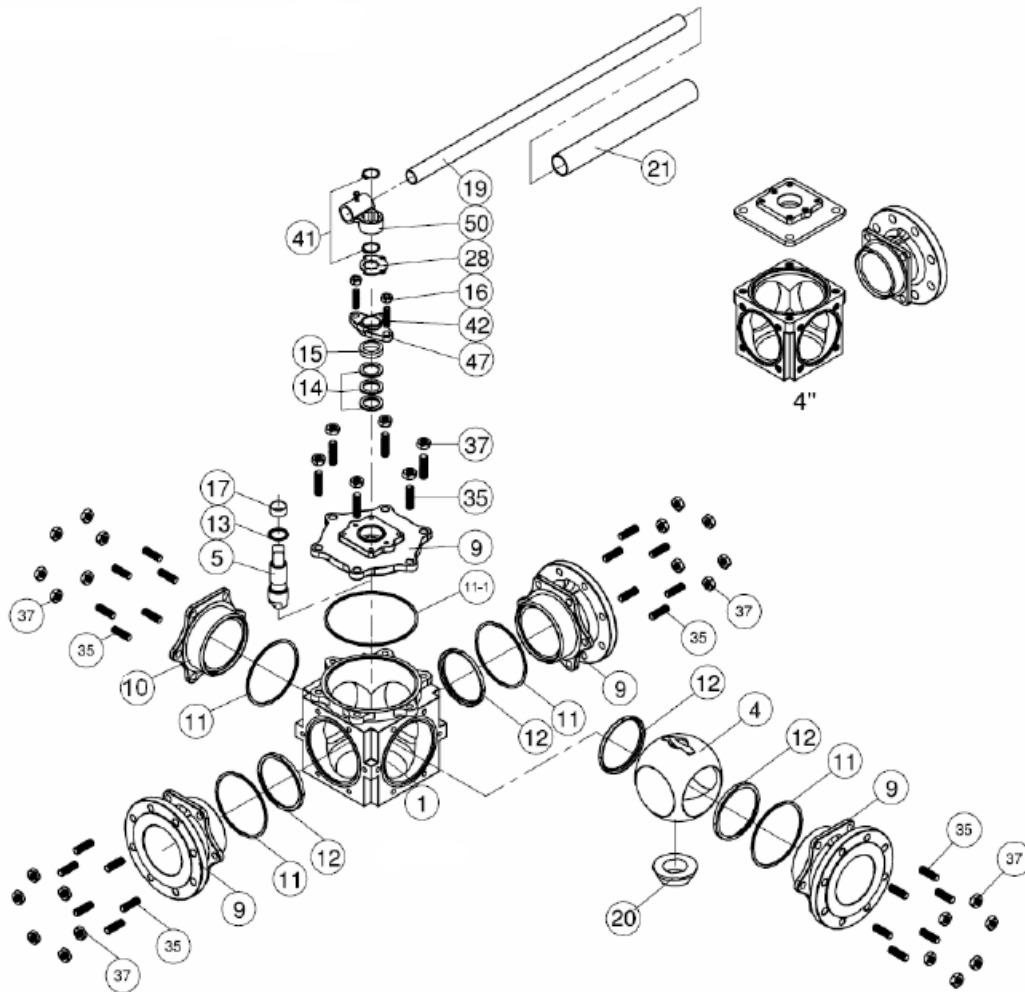


SECTORIEL S.A.
 45 rue du Ruisseau
 38290 SAINT QUENTIN-FALLAVIER – FRA NCE
 Telephone: +33 4 74 94 90 70 - Fax: +33 4 74 94 13 95
www.sectoriel.fr / Email : sectoriel@sectoriel.fr

Pages	2/4
Ref.	FT783+SF ENG
Rev.	02
Date	06/2020

783-784-785-786 VALVE WITH SF SWITCH BOX

CONSTRUCTION DN100 to DN150



No.	Name	Steel 783-784	785-786 SS	No.	Name	Material
1	Body	1.0619 steel	1.4408 SS	17	Stem gasket	PTFE
4	Sphere	1.4308 SS	1.4408 SS	19	Handle	Steel
5	Stem	304 SS	316 SS	20	Guiding screw	304 SS
9	Ends	1.0619 steel	1.4408 SS	21	Handle sheath	PVC
10	Cover	1.0619 steel	1.4408 SS	28	Padlocking	304 SS
11	Body gasket	PTFE		35	Tie-bolt	304 SS
11-1	Upper gasket	PTFE		37	Tie-bolt nut	304 SS
12	Seat	PTFE + +15% GF		41	Handle washer	304 SS
13	Ring	PTFE		42	CG screw	304 SS
14	Cable gland	PTFE		47	CG plate	1.4308 SS
15	Attachment ring	304 SS		50	Handle adaptor	304 SS
16	CG nut	304 SS				

Information given as an indication only, and subject to possible modifications

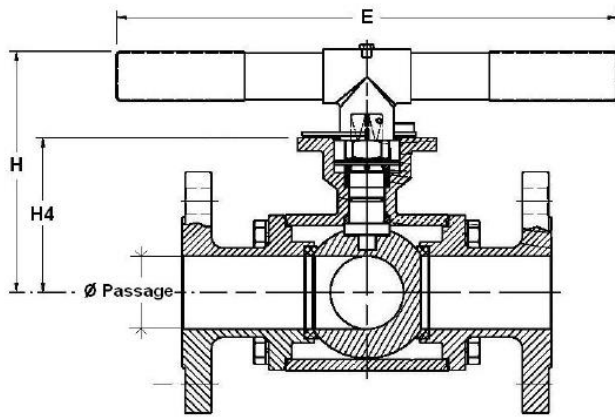


SECTORIEL S.A.
 45 rue du Ruisseau
 38290 SAINT QUENTIN-FALLAVIER – FRA NCE
 Telephone: +33 4 74 94 90 70 - Fax: +33 4 74 94 13 95
www.sectoriel.fr / Email : sectoriel@sectoriel.fr

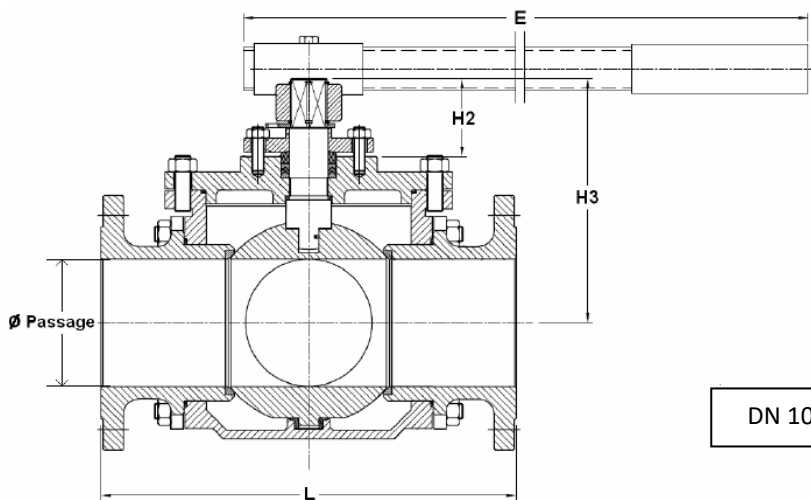
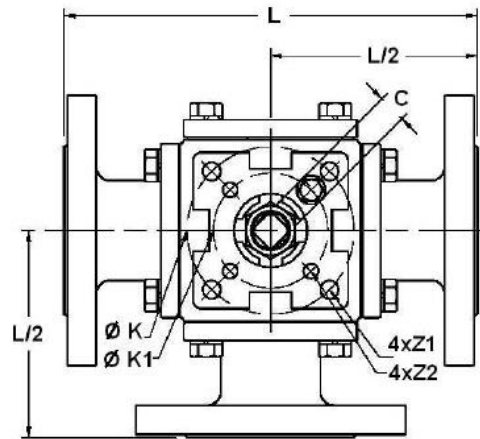
Pages	3/4
Ref.	FT783+SF ENG
Rev.	02
Date	06/2020

783-784-785-786 VALVE WITH SF SWITCH BOX

DIMENSIONS (mm)



DN 50 to DN 80



DN 100 to DN 150

DN	50	65	80
Ø	49	64	76
L	253	278	292.2
L/2	126.5	139	146.1
E	300	300	300
H	156.6	168.9	178
H1	17.8	17.5	17.5
H4	105.8	117.3	128
C	17	17	17
Ø K	102	102	102
Ø K1	70	70	70
4 x Z1	4x11	4x11	4x11
4 x Z2	4x9	4x9	4x9
Weight (kg)	19	23.8	34.5

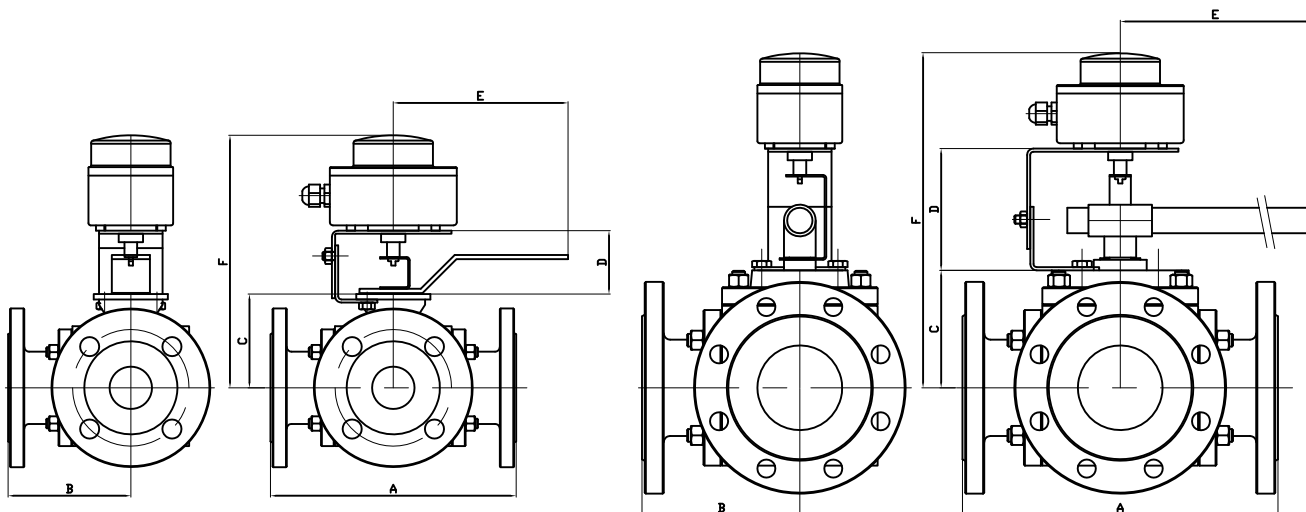
DN	100	125	150
Ø	99	125	150
L	360	416	473
L/2	180	208	236
E	600	600	800
H1	33	33	43.5
H2	70	70	77.5
H3	193	233	266
C	27	27	36
Ø K	125	125	140
4xZ	4x12	4x12	4x16
Weight (kg) L	67.4	95	124
Weight (kg) T	61.8	95	127

Information given as an indication only, and subject to possible modifications



SECTORIEL S.A.
45 rue du Ruisseau
38290 SAINT QUENTIN-FALLAVIER – FRA NCE
Telephone: +33 4 74 94 90 70 - Fax: +33 4 74 94 13 95
www.sectoriel.fr / Email : sectoriel@sectoriel.fr

Pages	4/4
Ref.	FT783+SF ENG
Rev.	02
Date	06/2020




DN25 à DN40

DN50 à DN150

DN	25	32	40
A	185	195	232
B	112	117	135.5
C	64	79	88.5
D	60	60	60
E	218	235	235
F	228.5	243.5	253
KG	9	12.1	16.1

	50	65	80	100	125	150
A	253	270	292.2	360	416	473
B	146	154.5	165.6	199.5	227.5	256
C	105.8	117.3	128	160	200	222.5
D	115	115	115	95	95	105
E	300	300	300	600	600	800
F	325.3	336.8	347.5	359.5	399.5	432
KG	20.4	25.4	35.9	63.4	96.4	128.4

Informations données à titre indicatif et sous réserve de modifications éventuelles
data subject to alteration

				Maj cote F	19/12/2014	A
Ech: /	Date :09/10/2014	Dessiné par : E.D	Tolérances générales : +/- 0.2	Modifications	Date	REV.
ROBINET A TOURNANT SPHERIQUE 783-784-785-786/BALL VALVE 783-784-785-786 + BFC/LIMIT SWITCH BOX				Matière :		
				Poids (Kg) :		
 45, Rue du Ruisseau 38297 SAINT QUENTIN FALLAVIER				Traitement : SANS		
				Plan n° Ens 1194A		

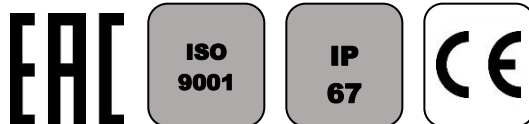
SF-TYPE SOLDO SWITCH BOXES

FEATURES

The SF-type switch box is intended for equipping quarter-turn pneumatic actuators and manual valves. It makes it possible to have an easy, direct view of the valve position and of the feedback information to control. Of robust construction, it can be installed outdoors. The position indicator provides a very good visual reading of the valve position. The SF switch box can be equipped with many switches and detectors (see below). The notched cams can be manually adjusted with great accuracy, and are insensitive to vibrations.

AVAILABLE MODELS

SF: IP67 model



LIMITS OF USE

Ambiant temperature	-20°C / +80°C
IP Code	IP 67
SF	Outside ATEX zone

MECHANICAL CONNECTION

Axis dimension	According to VDI/VDE 3845
Attachment	ISO 5211 F05
Stainless steel arches for attachment on to the actuator	<p><u>NAMUR 0</u> : 50x25x20 mm</p> <p><u>NAMUR 1</u> : 80x30x20 mm</p> <p><u>NAMUR 2</u> : 80x30x30 mm</p> <p><u>NAMUR 3</u> : 130x30x30 mm</p> <p><u>NAMUR 4</u> : 130x30x50 mm</p>

ELECTRICAL CONNECTION

Standard cable inputs	2 x M20x1.5
-----------------------	-------------

CONSTRUCTION

Casing and lid	Aluminium
Coating	Polyester paint
Stem	Stainless steel
Dome	Polycarbonate



Information given as an indication only, and subject to possible modifications



SECTORIEL S.A.
 45 rue du Ruisseau
 38290 SAINT QUENTIN-FALLAVIER – FRANCE
 Tél : +33 4 74 94 90 70 – Fax : +33 4 74 94 13 95
www.sectoriel.fr / Email : sectoriel@sectoriel.fr

Pages	1/3
Ref.	FT4620 ENG
Rev.	04
Date	04/2017

SF-TYPE SOLDO SWITCH BOXES

SWITCH DETAILS SF model

Ref.	Switch	Features
01	SPDT el.mech. switch silver plated contacts	Max 5A-250Vac / min 50mA-250Vac Max 5A-125Vac / min 50mA-125Vac Max 3A-24Vdc / min 50mA-24Vdc
03	SPDT el.mech. switch gold plated contacts (for Exia cert)	Max 1,8A/3A-250Vac / min 5mA-250Vac Max 2A/3A-125vac / min 5mA-125Vac Max 1,2A/1,5A-24Vdc / min 1mA-24Vdc
1F	DPDT el.mech. switch silver plated contacts	
C4	SPDT magnetic hermetically sealed reed switch.	Max 0,1A-120Vac / 1A-24Vdc
C8	DPDT magnetic hermetically sealed reed switch.	Max 0,1A-120Vac / 1A-24Vdc
N1	SPDT magnetic hermetically sealed silver plated snap acting contacts	Max 5A-250Vac / 5A-28Vdc
N3	SPDT magnetic hermetically sealed gold plated snap acting contacts	Max 1A-250Vac / 1A-30Vdc
N4	DPDT magnetic hermetically sealed silver plated snap acting contacts	Max 5A-250Vac / 5A-28Vdc
60	Inductive proximity NAMUR sensor SJ3,5-N	2 wire NC logic (for Exia cert)
62	Inductive proximity NAMUR sensor SJ3,5-SN	2 wire NC logic (for Exia cert, safety funct. low temp)
63	Inductive proximity NAMUR sensor - SJ3,5-S1N	2 wire NO logic (for Exia cert, safety funct)
70	Inductive proximity NAMUR - NJ2-V3-N	2 wire (for Exia cert)
73	Inductive proximity sensor (+70°C max.) - NBB2-V3-E2	P+F - 3 wire PNP NO amplified 10-30 Vdc, 100 mA
75	Inductive proximity sensor - IS 5026	IFM - 2 wire NO/NC amplified 5-36 Vdc, 200 mA
83	Inductive proximity sensor - NBB3-V3-Z4	P+F - 2 wire NO amplified 5-60 Vdc, 100 mA
TO	4-20 mA position transmitter	12-30 Vdc
HO	4-20 mA HART position transmitter	Atex Ex ia IIC T6 / T4 – certified 8-30Vdc

OPTIONS

There are many options for which you are invited to contact our sales service:

	SS : stainless steel box
	3-Channel L or T indicators
L	LT : version -40°C (according to the type of switch)
P	LT 1 : version -55°C (according to the type of switch)
1	Cable inputs 1/2" NPT
	Pilot-solenoid valve wiring
G	EAC Certificate
U	UL Certificate

Information given as an indication only, and subject to possible modifications

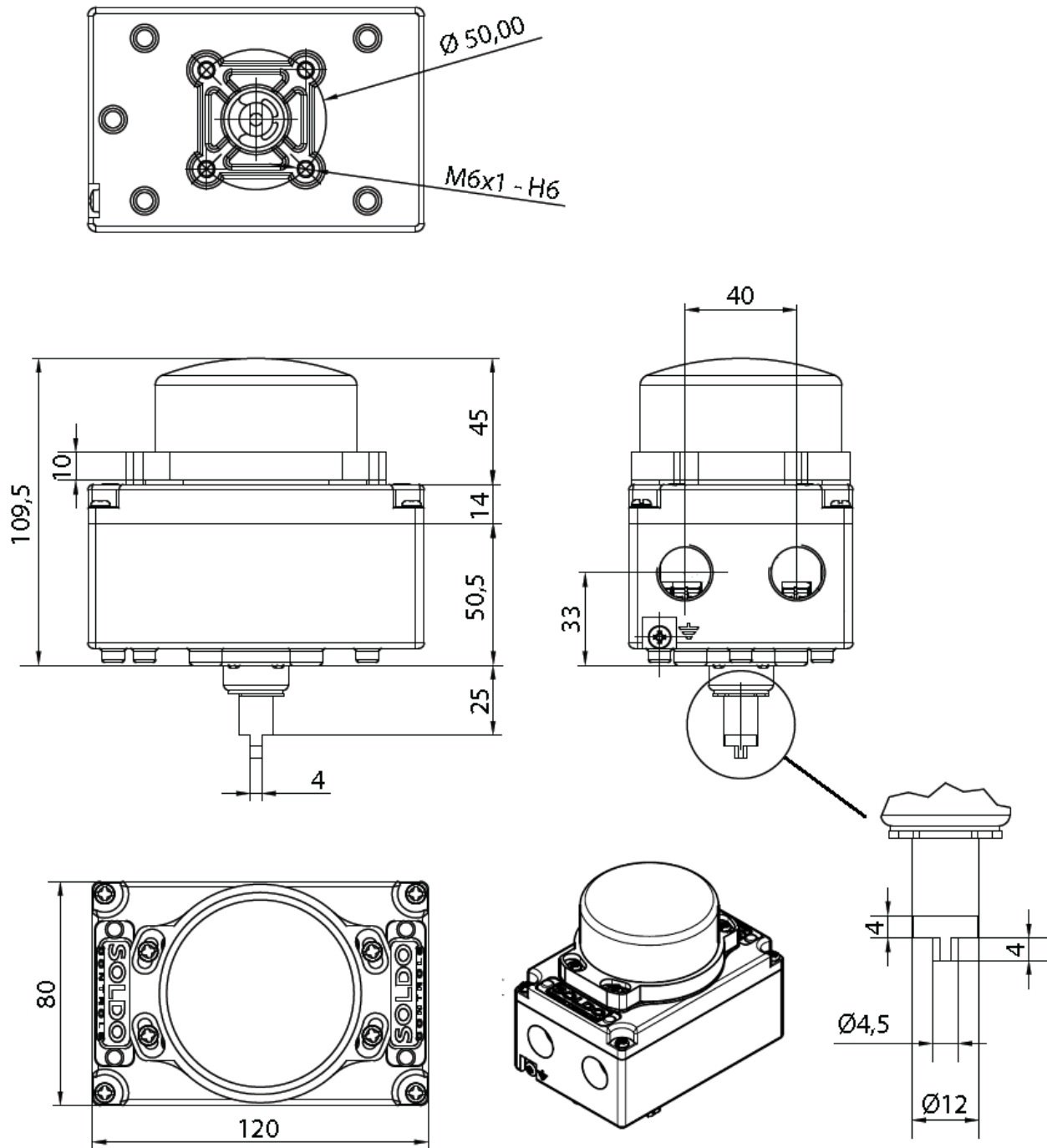


SECTORIEL S.A.
45 rue du Ruisseau
38290 SAINT QUENTIN-FALLAVIER – FRANCE
Tél : +33 4 74 94 90 70 – Fax : +33 4 74 94 13 95
www.sectoriel.fr / Email : sectoriel@sectoriel.fr

Pages	2/3
Ref.	FT4620 ENG
Rev.	04
Date	04/2017

SF-TYPE SOLDO SWITCH BOXES

DIMENSIONS (mm)



Information given as an indication only, and subject to possible modifications



SECTORIEL S.A.
 45 rue du Ruisseau
 38290 SAINT QUENTIN-FALLAVIER – FRANCE
 Tél : +33 4 74 94 90 70 – Fax : +33 4 74 94 13 95
www.sectoriel.fr / Email : sectoriel@sectoriel.fr

Pages	3/3
Ref.	FT4620 ENG
Rev.	04
Date	04/2017