

## 1 PIECE STAINLESS STEEL BALL VALVE MALE FEMALE BSP

1 piece stainless steel ball valve male female with reduced bore for Chemical industries, petrochemical industries, hydraulic installation, heating, water distribution, compressed air.  
PTFE gasket and seat.

**Certificate**  
**3.1**



  
**TÜVRheinland**  
PED/2014/68/UE



**Size:** DN1/4" to DN3/4"  
**Connection :** Male Female BSP  
**Min Temperature :** -10°C  
**Max Temperature :** +150°C  
**Max Pressure :** 55 Bars  
Anti blow-out stem  
Reduced bore  
Locking device  
1 piece type

**Materials :** Stainless Steel EN 1.4408

**1 PIECE STAINLESS STEEL BALL VALVE MALE FEMALE BSP**

**SPECIFICATIONS :**

- Reduced bore
- Anti blow-out stem
- Locking device
- Solid ball
- 1 piece type

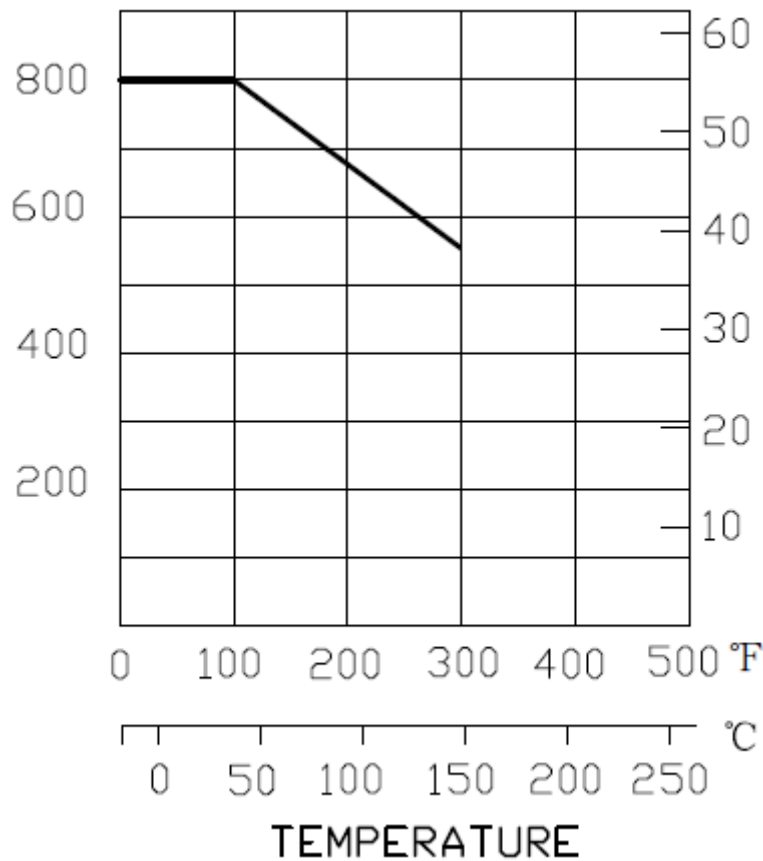
**USE :**

- Chemical and pharmaceutical industries, petrochemical industries, hydraulic installation, compressed air
- Min and max Temperature Ts : -10°C to + 150°C
- Max Pressure Ps : 55 bars ( see graph )

**PRESSURE / TEMPERATURE GRAPH ( STEAM EXCLUDED ) :**

**PRESSURE (PSI)**

**PRESSURE (Bar)**



**FLOW COEFFICIENT Kvs ( M3 / h ) :**

DN	1/4"	3/8"	1/2"	3/4"
Kvs ( m3/h )	0.87	2.16	4.76	8.65

Sferaco 90 rue du Ruisseau 38297 St Quentin Fallavier Tel: + 33 (0) 474.94.15.90 Fax: + 33 (0) 474.95.62.08 Internet: [www.sferaco.fr](http://www.sferaco.fr) E-mail : [info@sferaco.fr](mailto:info@sferaco.fr)

**1 PIECE STAINLESS STEEL BALL VALVE MALE FEMALE BSP**

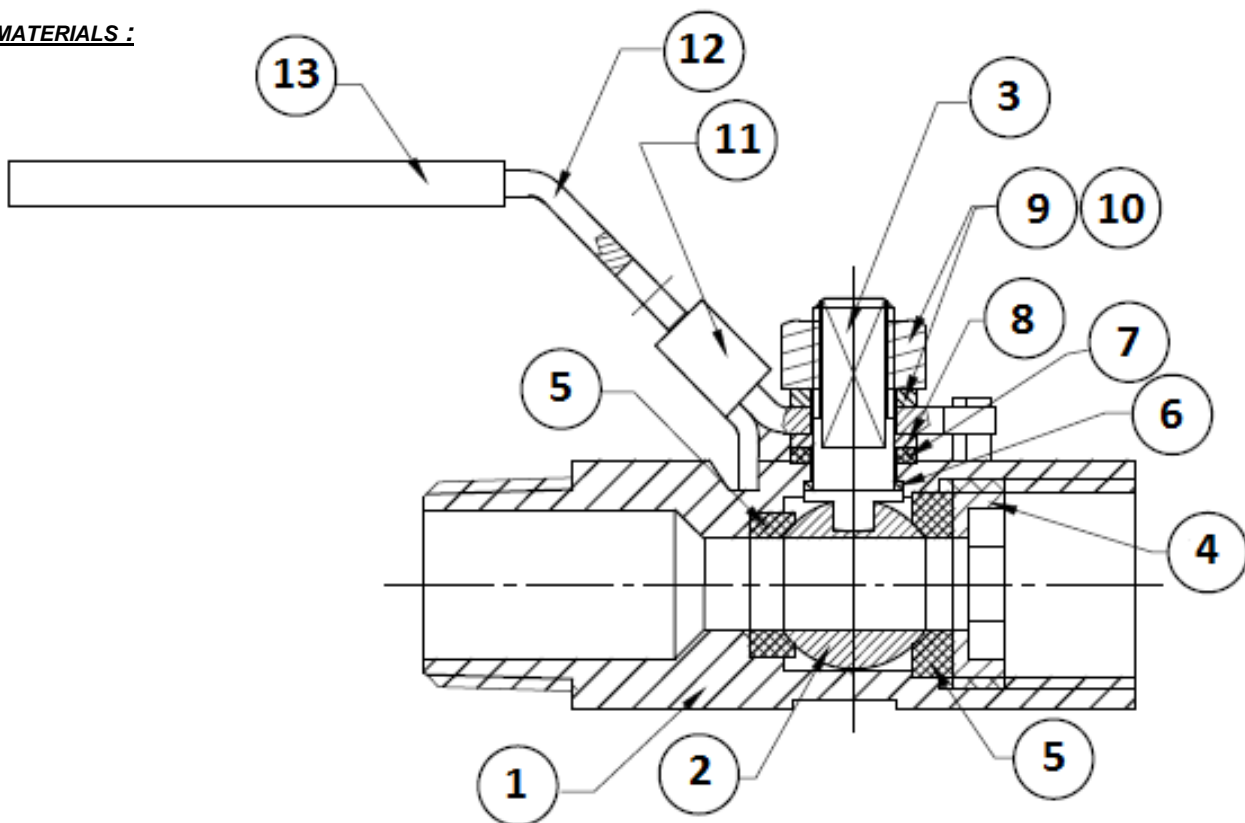
**RANGE :**

- 1 piece stainless steel ball valve male female BSP from DN 1/4" to DN 3/4"

**ENDS :**

- Male / female threaded BSP

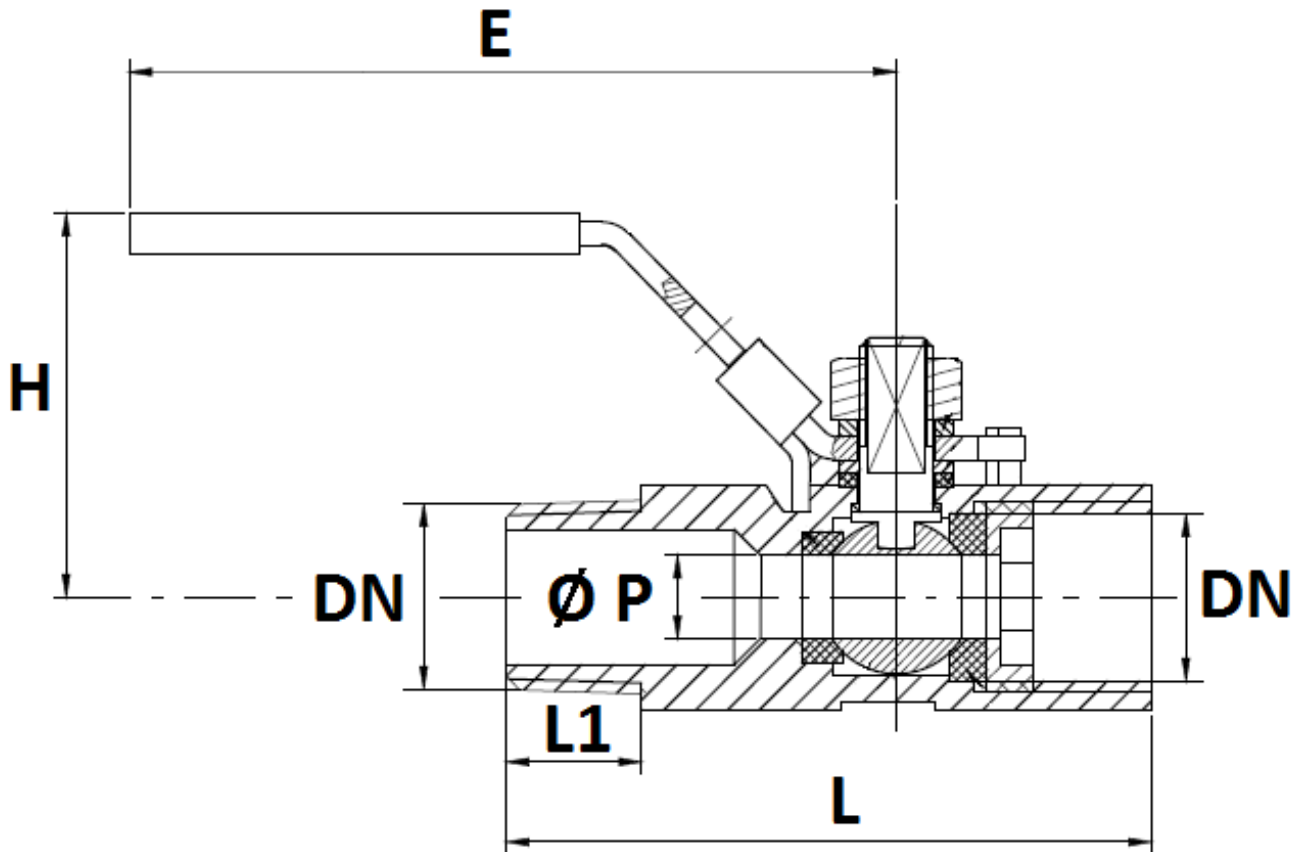
**MATERIALS :**



Item	Designation	Materials
1	Body	EN 1.4408
2	Ball	
3	Stem	AISI 316
4	Seat nut	EN 1.4408
5	Seat	PTFE
6	Thrust washer	
7	Stem gasket	
8	Gland	AISI 304
9	Handle washer	
10	Handle nut	
11	Locking device	
12	Handle	
13	Handle cover	Plastic

**1 PIECE STAINLESS STEEL BALL VALVE MALE FEMALE BSP**

**SIZE ( in mm ) :**



DN	1/4"	3/8"	1/2"	3/4"
Ø P	5	7	9.2	12.8
L	50	55.5	71.5	74
L1	11	11.5	15	16.5
E	77	77	88	88
H	39	39	44	48
Weight (in Kg)	0.1	0.13	0.22	0.34
Ref.	708MF02	708MF03	708MF04	708MF05

**1 PIECE STAINLESS STEEL BALL VALVE MALE FEMALE BSP****STANDARDS :**

- Manufacturer certified ISO 9001 : 2015
- DIRECTIVE 2014/68/EU : Products excluded from directive (Article 4, § 3)
- Designing according to EN 12516-2
- Certificate 3.1 on request
- Pressure tests according to API 598
- Threaded cylindrical female BSP ends according to ISO 228-1 and male BSP conical ends according to ISO 7/1 R

**ADVICE :** Our opinion and our advice are not guaranteed and SFERACO shall not be liable for the consequences of damages.  
The customer must check the right choice of the products with the real service conditions.