

CAST IRON BALL VALVE PN16 LENGTH NF 29323

Cast iron ball valve with ISO 5211 mounting pad full bore for heating, cooling, water, watering and irrigation.
2 FKM O Ring and 1 PTFE gasket on stem, PTFE body gasket and PTFE seat.
Compatible with explosive atmosphere, ATEX Zone 1&21 and Zone 2&22 thanks to the antistatic device.
Thanks to the ISO 5211 plate, an actuator can be installed on the valve.



Size : DN40 to DN150
Connection : Flanges PN10/16 RF
Min Temperature : -10°C
Max Temperature : +200°C
Max Pressure : 16 Bars
Specifications : PTFE seat
ISO 5211 mounting pad
Anti blow-out stem
Full bore
Stainless steel ball
ATEX

Materials : Cast iron EN GJL-250

CAST IRON BALL VALVE PN16 LENGTH NF 29323

SPECIFICATIONS :

- Full bore
- Anti blow-out stem
- PTFE packing and stem O ring in FKM
- ISO 5211 mounting pad
- PN10/16 flanges R.F. (according to DN, flanges holes are threaded or not)
- Hollow stainless steel ball
- Black painting colour RAL 9004 , 5-15 microns thickness

USE :

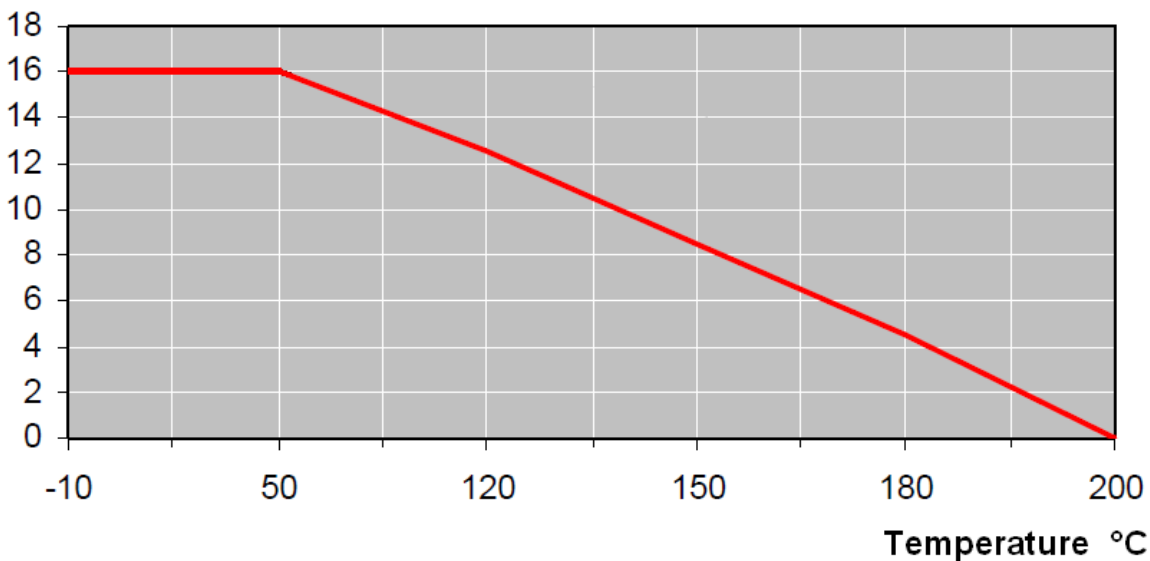
- Heating, water, cooling, watering and irrigation
- Min and max Temperature Ts : - 10°C to + 200°C
- Max Pressure Ps : 16 bars
- **Do not use with steam**
- **Do not use with compressed air**

RANGE :

- Cast iron PN10/16 flanges R.F. with stainless steel ball from DN40 to DN150 **Ref. 505**

PRESSURE / TEMPERATURE GRAPH (STEAM EXCLUDED) :

P (bar)



FLOW COEFFICIENT Kvs (in M3/H) :

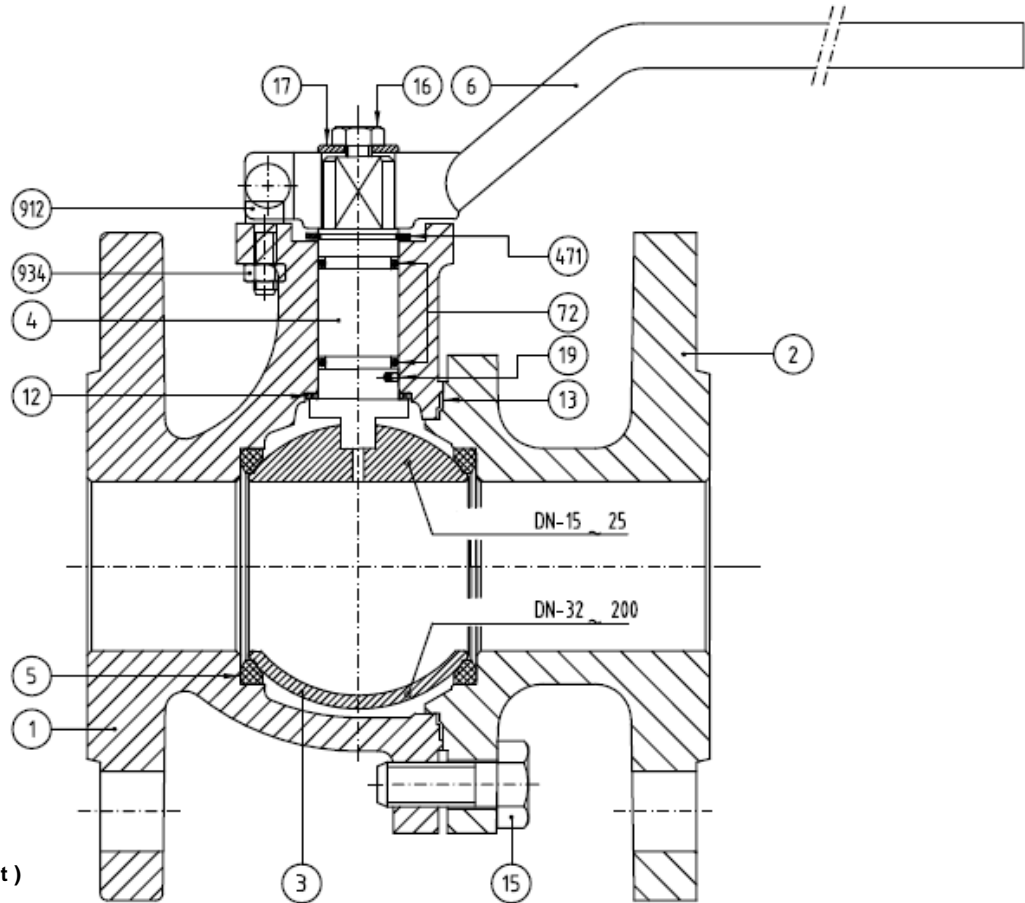
DN	40	50	65	80	100	125	150
Kvs (M3 / H)	223	416	660	1200	1980	3600	5040

TORQUE VALUES (in Nm without safety coefficient) :

DN	40	50	65	80	100	125	150
Torque (Nm)	26	41	41	71	119	190	220

CAST IRON BALL VALVE PN16 LENGTH NF 29323

MATERIALS :



(* : Included in gaskets kit)

Item	Designation	Materials
1	Body	Cast iron EN GJL-250
2	Ends	Cast iron EN GJL-250
3	Ball	AISI 304
4	Stem	
5*	Seat	PTFE
6	Handle	Steel
12*	Washer	PTFE
13*	Body gasket	PTFE
15	Body Screw	Steel DIN 933 5.6
16	Handle screw	Steel DIN 933 5.6
17	Handle Washer	Steel
19	Antistatic device	Stainless steel
72*	O ring	FKM
471	Cicrlip	Steel DIN 471
912	Stop screw	Steel DIN 912 8.8
934	Nut	Steel DIN 934.8

Repairability :

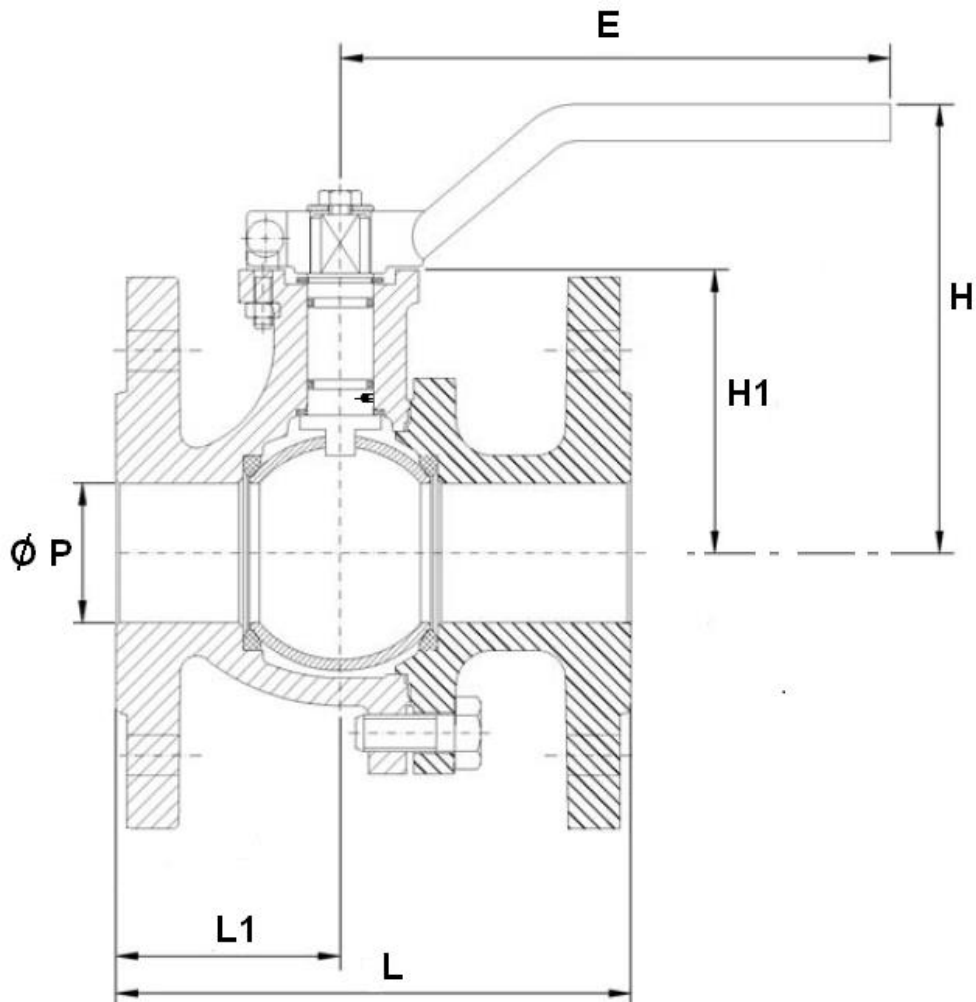


Gaskets Kit (item 5, 12, 13 and 72)

DN40	Ref. 9812264
DN50	Ref. 9812265
DN65	Ref. 9812266
DN80	Ref. 9812267
DN100	Ref. 9812268
DN125	Ref. 9812269
DN150	Ref. 9812270

CAST IRON BALL VALVE PN16 LENGTH NF 29323

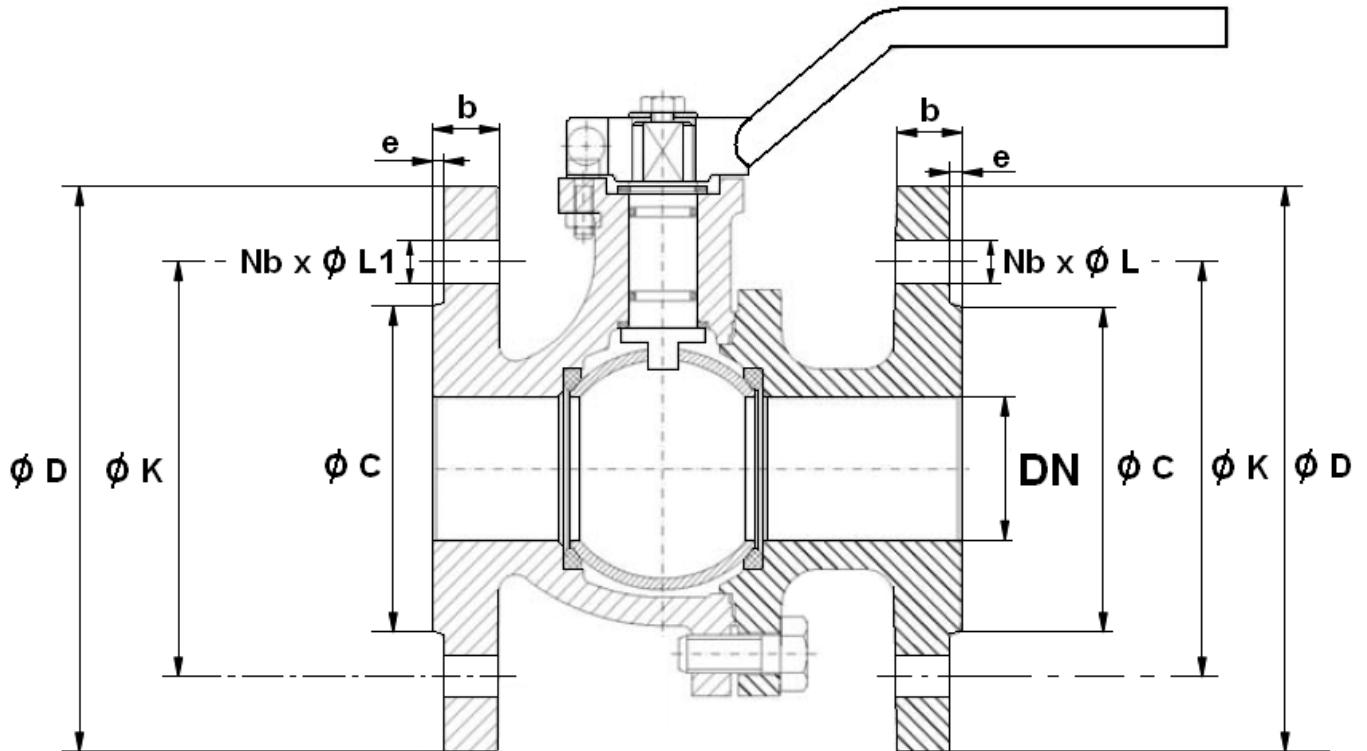
VALVE SIZE (in mm) :



DN	40	50	65	80	100	125	150
Ø P	38	50	65	80	100	125	150
L	136	142	154	160	172	186	200
L1	57	62	81.5	79	94	93	100
H	119	127	141	151.5	176.5	208	254.5
H1	77	85	98	108.5	134	165	190
E	302.5	302.5	335	335	350	350	500
Weight (Kg)	6.5	8.5	10.5	14	19	28	45
Ref.	505040	505050	505065	505080	505100	505125	505150

CAST IRON BALL VALVE PN16 LENGTH NF 29323

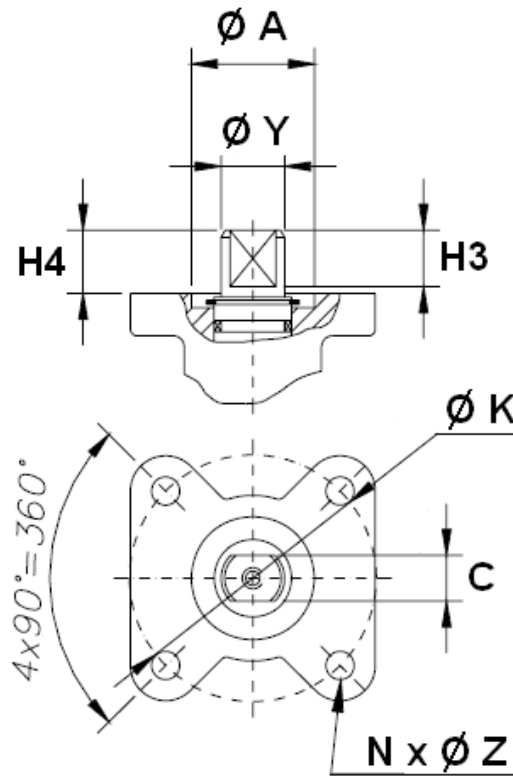
FLANGES SIZE (in mm) :



DN	40	50	65	80	100	125	150
Ø C	88	102	122	138	158	188	212
Ø D	150	165	185	200	220	250	285
Ø K	110	125	145	160	180	210	240
Nb x Ø L	4 x 18	4 x 18	4 x M16	8 x M16	8 x M16	8 x M16	8 x M20
Nb x Ø L1	4 x 18	4 x 18	4 x 18	8 x 18	8 x 18	8 x M16	8 x M20
b	16	18	18	20	20	22	22
e	3	3	3	3	3	3	3

CAST IRON BALL VALVE PN16 LENGTH NF 29323

ISO MOUNTING PAD AND STEM SIZE (in mm) :



DN	40	50	65	80	100	125	150
Ø K	42	42	70	70	70	70	102
ISO	F04	F04	F07	F07	F07	F07	F10
N x Ø Z	4 x 5	4 x 5	4 x 8	4 x 8	4 x 8	4 x 8	4 x 10
C	12	12	13	13	16	16	20
Ø Y	16	16	18	18	22	22	28
H3	16	16	19	19	20	20	27
H4	15	15	18	18	19	19.5	24.5
Ø A	30	30	35	35	38	38	50

CAST IRON BALL VALVE PN16 LENGTH NF 29323**STANDARDS :**

- Manufacturer certified ISO 9001 :2015

- DIRECTIVE 2014/68/EU :
 - DN40-100: for gas and liquids of group 1, Article 4, §3 (SEP), no CE marking
 - DN125: for gas and liquids of group 1, Risk Category I, marking CE
 - DN150: for liquids of group 1, Article 4, §3 (SEP), no CE marking

- Valve design according to DIN 3357

- Body design according to DIN 3840

- ISO 5211 mounting pad

- Length according to EN 558 series 29 (NF 29323)

- Flanges R.F according to EN 1092-2 PN10/16

- Marking according to EN 19

- Pressure test according to EN 12266-1, Rate A

- ATEX Group II Category 2 G/2Dc Zone 1 & 21 Zone 2 & 22 (optional marking) according to directive 2014/34/EU

ADVICE : Our opinion and our advice are not guaranteed and SFERACO shall not be liable for the consequences of damages.
The customer must check the right choice of the products with the real service conditions.

CAST IRON BALL VALVE PN16 LENGTH NF 29323

INSTALLATION INSTRUCTIONS

GENERAL GUIDELINES :

- Ensure that the valves to be used are appropriate for the conditions of the installation (type of fluid, pressure and temperature).
- Be sure to have enough valves to be able to isolate the sections of piping as well as the appropriate equipment for maintenance and repair.
- Ensure that the valves to be installed are of correct strength to be able to support the capacity of their usage.
- **Installation of all circuits should ensure that their function can be automatically tested on a regular basis (at least two times a year).**

INSTALLATION INSTRUCTIONS :

- **Before installing the valves, clean and remove any objects from the pipes** (in particular bits of sealing and metal) which could obstruct and block the valves.
- **Ensure that both connecting pipes either side of the valve (upstream and downstream) are aligned (if they're not, the valves may not work correctly).**
- **Make sure that the two sections of the pipe (upstream and downstream) match, the valve unit will not absorb any gaps. Any distortions in the pipes may affect the tightness of the connection, the working of the valve and can even cause a rupture.** To be sure, place the kit in position to ensure the assembling will work.
- **If sections of piping do not have their final support in place, they should be temporarily fixed. This is to avoid unnecessary strain on the valve.**
- Tighten the bolts in cross.
- It's recommended to operate the valve (open and close) 1 to 2 times per year
- **For an installation in ATEX area, check the conductivity between the valve, the upstream pipe and the downstream pipe and make sure the pipe is connected to the earth.**

