

2 PIECES BALL VALVE FEMALE BSP PN63 BLUE HANDLE

2 pieces stainless steel ball valve with full bore for Chemical industries, petrochemical industries, hydraulic installation, heating, water distribution and compressed air.
PTFE packing and PTFE filled with 3% Glass fiber seat.

Certificate
3.1



Size : DN1/4" to DN4"
Connection : Female BSP
Min Temperature : -20°C
Max Temperature : +180°C
Max Pressure : 63 Bars (up to DN3/4")
Specifications : Anti blow-out stem
Handle with locking device
Full bore

Materials : Stainless Steel ASTM A351 CF8M

2 PIECES BALL VALVE FEMALE BSP PN63 BLUE HANDLE

SPECIFICATIONS :

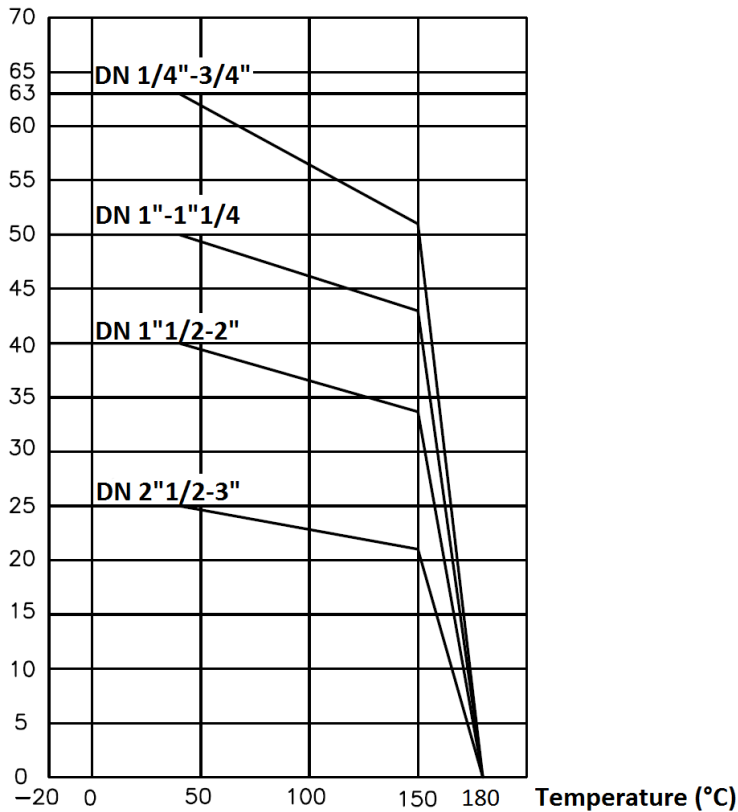
- Full bore
- Anti blow-out stem
- PTFE packing
- Locking device
- Solid ball
- 2 pieces type

USE :

- Chemical and pharmaceutical industries, petrochemical industries, hydraulic installation, compressed air
- Min and max Temperature Ts : -20°C to + 180°C
- Max Pressure Ps : 63 bars up to DN3/4", 50 bars from 1" to 1"1/4, 40 bars from 1"1/2 to 2" , 25 bars from 2"1/2 to 3" , 16 bars for DN4" (see graph)

PRESSURE / TEMPERATURE GRAPH (STEAM EXCLUDED) :

PRESSURE (Bar)



TORQUE VALUES (in Nm without safety coefficient) :

DN	1/4"	3/8"	1/2"	3/4"	1"	1"1/4	1"1/2	2"	2"1/2	3"	4"
Torque (Nm)	4	4	6-8	8-10	12-15	18-20	25-30	35-45	55-65	80-90	140-160

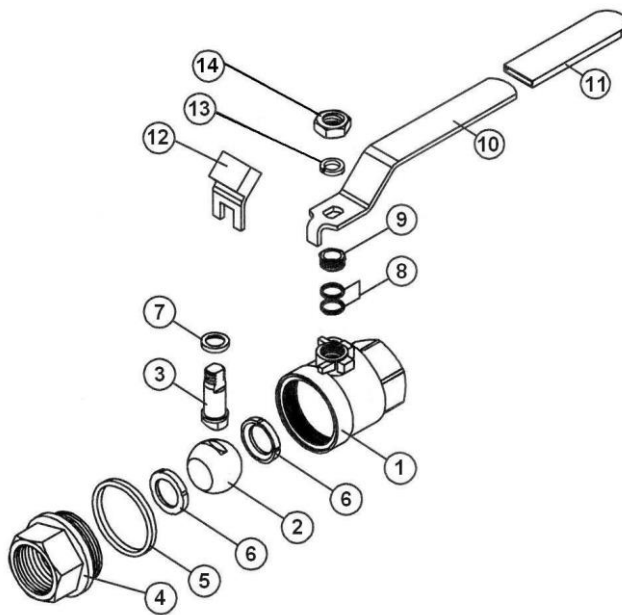
2 PIECES BALL VALVE FEMALE BSP PN63 BLUE HANDLE

RANGE :



- Ball valve female / female threaded BSP Stainless steel blue handle **Ref. 715** from DN 1/4" to DN 4"
- Butterfly handle **Ref. 9831441 to 9831443** from DN 1/4" to DN 1"
- Handle red cover **Ref. 9830370 to 9830374** from DN 1/4" to DN 3"

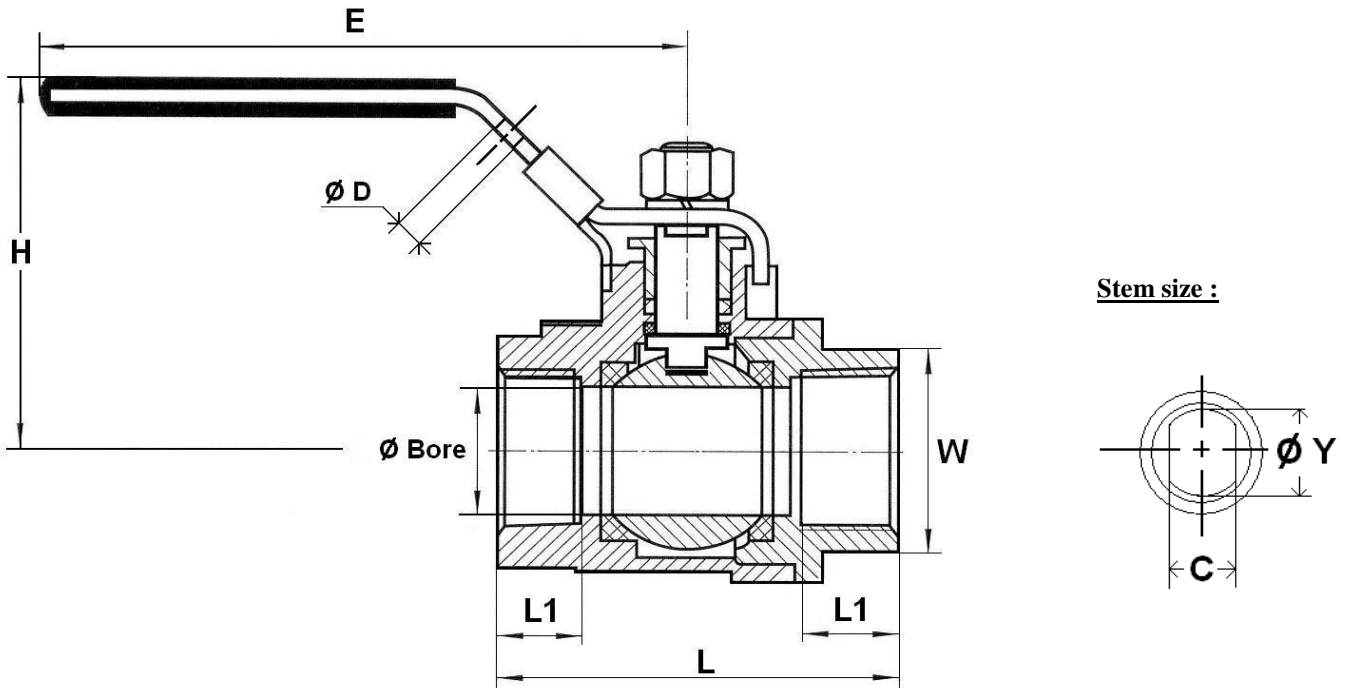
MATERIALS :



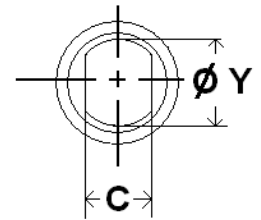
Item	Designation	Materials
1	Body	ASTM A351 CF8M
2	Ball	
3	Stem	AISI 316
4	Ends	ASTM A351 CF8M
5	Body seal	PTFE
6	Seat	PTFE filled with 3% glass fiber
7	Stem gasket	PTFE
8	Packing	
9	Packing nut	AISI 304
10	Handle	
11	Handle cover	Plastic
12	Locking device	AISI 304
13	Handle washer	
14	Handle nut	

2 PIECES BALL VALVE FEMALE BSP PN63 BLUE HANDLE

SIZE (in mm) :



Stem size :



DN	1/4"	3/8"	1/2"	3/4"	1"	1 1/4"	1 1/2"	2"	2 1/2"	3"	4"
Ø Bore	11.6	11.6	15	20	25	32	38	50	65	76	94
L	46.8	48.5	58	65.7	77	90	98	121	145	166	214
Ø D	7.6	7.6	7.6	7.6	7.6	7.6	7.6	7.6	7.6	7.6	7.6
E	105	105	105	128	128	158	158	194	248	248	330
H	44	44	48	61	62	79	86	90	118	126	176
L1	10.5	10.5	13	13.2	15.2	18	18.3	22.5	25.5	28.4	36
W on flat	17	20.8	25.5	31	38.5	48	54	67	83.5	98	128
C	5	5	5	5.8	5.8	7	7	8	12	12	14
Ø Y	8	8	8	8	8	10	10	10	16	16	24
Weight (in Kg)	0.18	0.19	0.26	0.40	0.59	1	1.32	2.46	4.83	7.45	16.5
Ref.	715002	715003	715004	715005	715006	715007	715008	715009	715010	715011	715012

2 PIECES BALL VALVE FEMALE BSP PN63 BLUE HANDLE

STANDARDS :

- Manufacturer certified ISO 9001 : 2015

- DIRECTIVE 2014/68/EU: For liquids or Gas of Group 1
 - DN1/4"-1": Article 4, §3 (SEP), no CE marking
 - DN1"1/4-4": Risk category II, CE 0035 marking

- 3.1 certificate on request

- Pressure Tests according to EN 12266-1, Rate A

- Threaded BSP cylindrical ends according to ISO 228-1

ADVICE : Our opinion and our advice are not guaranteed and SFERACO shall not be liable for the consequences of damages. The customer must check the right choice of the products with the real service conditions.