

2 PIECES STAINLESS STEEL BALL VALVE PN63 INITIAL RANGE BSP

2 pieces stainless steel ball valve with full bore for Chemical industries, petrochemical industries, hydraulic installation, heating, water distribution, compressed air.
PTFE packing and PTFE seat.

Certificate
3.1



Lloyd's
Register
PED/2014/68/EU



Size : DN1/4" to DN4"
Connection : Female BSP
Min Temperature : -20°C
Max Temperature : +180°C
Max Pressure : 63 Bars (jusqu'au DN3/4")
Specifications : Locking device
Full bore
Anti blow-out stem

Materials : Stainless steel EN 1.4408

2 PIECES STAINLESS STEEL BALL VALVE PN63 INITIAL RANGE BSP

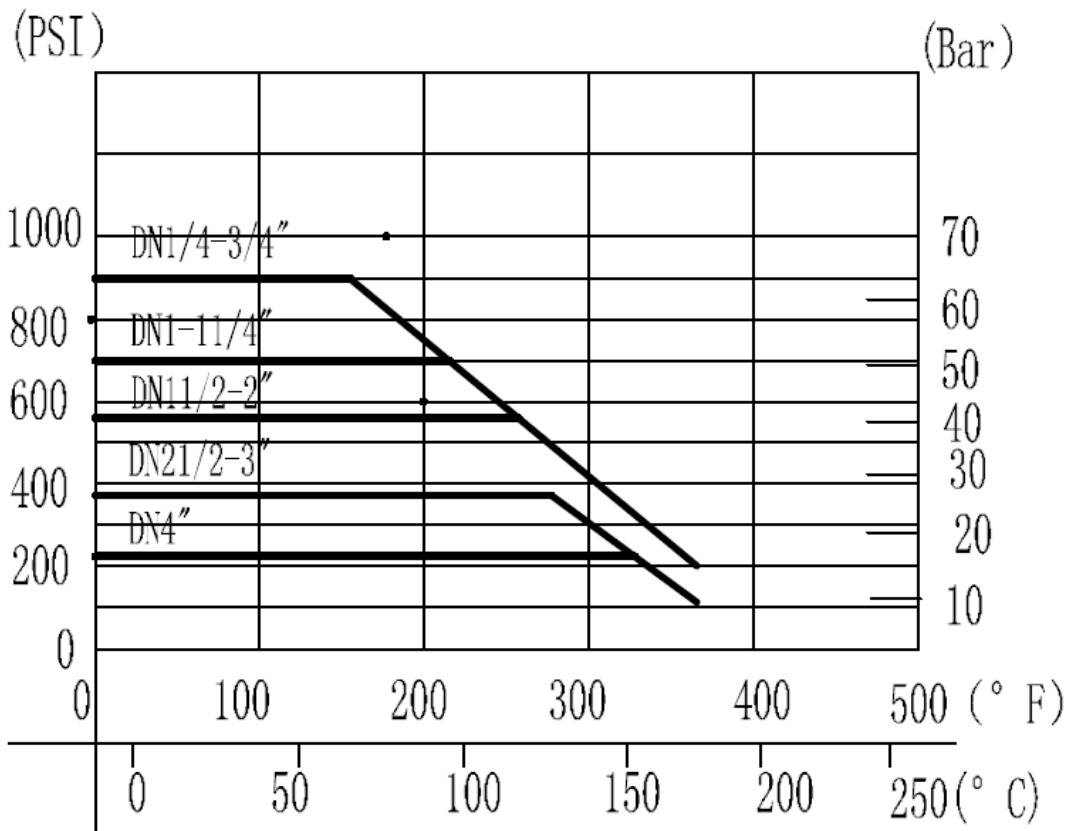
SPECIFICATIONS :

- Full bore
- Anti blow-out stem
- PTFE packing
- PTFE seat
- Locking device
- Solid ball
- 2 pieces type

USE :

- Chemical and pharmaceutical industries, petrochemical industries, hydraulic installation, compressed air
- Min and max Temperature Ts : -20°C to + 180°C
- Max Pressure Ps : 63 bars up to DN3/4", 50 bars from 1" to 1"1/4", 40 bars from 1"1/2 to 2" , 25 bars from 2"1/2 to 3", 16 bars for DN4" (see graph)

PRESSURE / TEMPERATURE GRAPH (STEAM EXCLUDED) :



2 PIECES STAINLESS STEEL BALL VALVE PN63 INITIAL RANGE BSP

TORQUE VALUES (in Nm without safety coefficient) :

DN	1/4"	3/8"	1/2"	3/4"	1"	1"1/4"	1"1/2"	2"	2"1/2"	3"	4"
Torque (Nm)	5	7	10	16	24	35	50	80	120	150	180

FLOW COEFFICIENT Kvs (M3 / h) :

DN	1/4"	3/8"	1/2"	3/4"	1"	1"1/4"	1"1/2"	2"	2"1/2"	3"	4"
Kvs (m3/h)	6.6	7.98	11.45	20.35	31.79	57.8	81	151	262	415	774

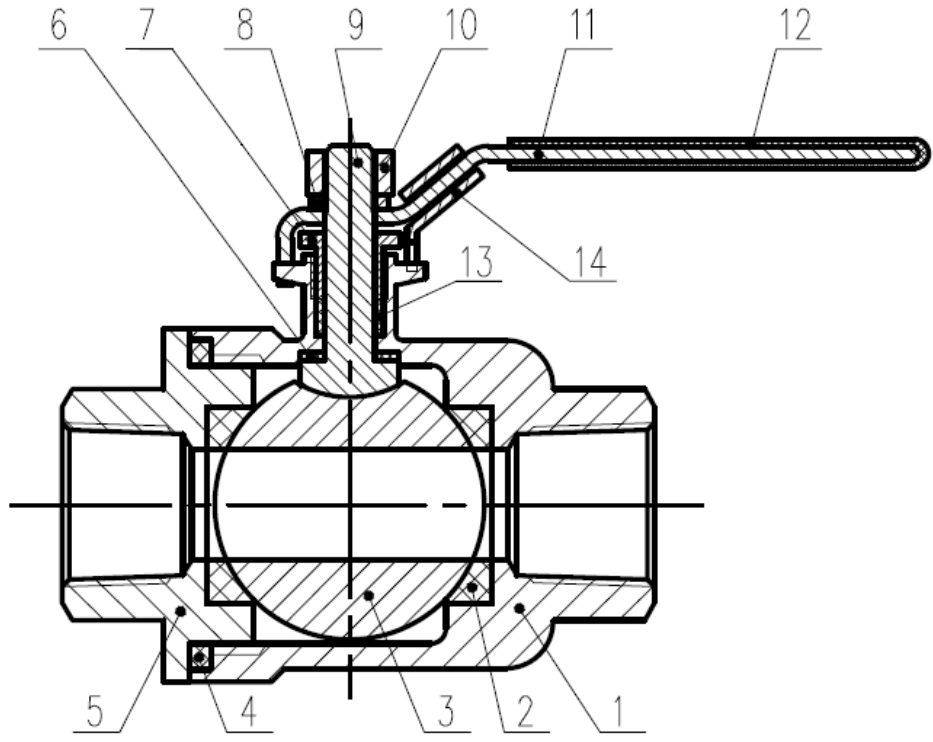
RANGE :



- Ball valve female / female threaded BSP Stainless steel blue handle Initial range **Ref. 7151** from DN1/4" to DN4"

2 PIECES STAINLESS STEEL BALL VALVE PN63 INITIAL RANGE BSP

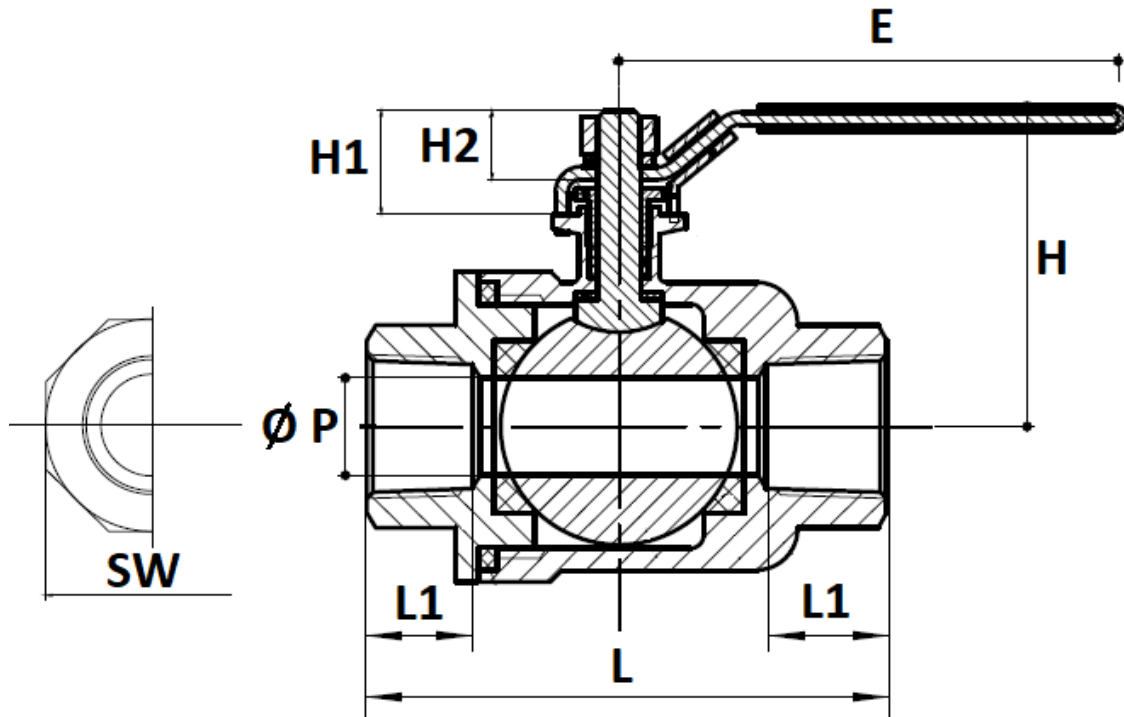
MATERIALS :



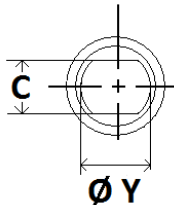
Item	Designation	Materials
1	Body	EN 1.4408
2	Seat	PTFE
3	Ball	AISI 316
4	Body seal	RPTFE
5	Ends	EN 1.4408
6	Thrust washer	PTFE
7	Gland ring	AISI 304
8	Spring washer	
9	Stem	AISI 316
10	Nut	AISI 304
11	Handle	
12	Handle cover	PVC
13	Packing	PTFE
14	Locking device	AISI 304

2 PIECES STAINLESS STEEL BALL VALVE PN63 INITIAL RANGE BSP

SIZE (in mm) :



Stem size :



DN	1/4"	3/8"	1/2"	3/4"	1"	1"1/4	1"1/2	2"	2"1/2	3"	4"
Ø P	11.5	12.5	15	20	25	32	38	50	65	76	94
L	40	41	50	56	68	83	90	111	146.5	168	213
E	85	85	95	120	120	135	170	170	235	235	335
H	44	44	46	53	57	71	75	96	128	135	160
L1	8	9.5	11.5	12	15	16.5	17	20	29	32	37
W on flat	16.5	20	24	30	36.5	46	53	65.5	83	96	122
C	5	5	5	5.8	5.8	7.0	7.0	8.0	12.0	12	14
Ø Y	M8	M8	M8	M8	M8	M10	M10	M12	M16	M16	M20
Weight (Kg)	0.14	0.15	0.22	0.31	0.44	0.8	1.1	1.67	3.48	5	9.1
Ref.	715102	715103	715104	715105	715106	715107	715108	715109	715110	715111	715112



2 PIECES STAINLESS STEEL BALL VALVE PN63 INITIAL RANGE BSP

STANDARDS :

- Manufacturer certified ISO 9001 : 2015
- DIRECTIVE 2014/68/EU: For liquids or Gas of Group 1
 - DN1/4"-1": Article 4, §3 (SEP), no CE marking
 - DN1"1/4-4": Risk category II, CE 0343 marking
- Certificate 3.1 on request
- Pressure Tests according to EN 12266-1, rate A
- Threaded BSP cylindrical ends according to ISO 228-1

ADVICE : Our opinion and our advice are not guaranteed and SFERACO shall not be liable for the consequences of damages.
The customer must check the right choice of the products with the real service conditions.