

2 PIECES A105N FORGED BALL VALVE CLASS 1500

2 pieces ball valve 1500lbs forged carbon steel with full bore for Chemical and Pharmaceutical industries, petrochemical industries, hydraulic installation, heating and compressed air.

For fluids at high pressure and high temperature.

PTFE filled with 25% Carbon packing and body gasket and PEEK seat or DELRIN®.

Compatible with explosive atmosphere, ATEX Zone 1&21 and Zone 2&22 thanks to the double antistatic device.

Handling possible with locking device, stainless steel handle or oval hand wheel.



NACE
MR01-75

Certificate
3.1



PED 2014/68/UE



Size : DN1/4" to DN2"

Connection : Threaded female BSP or NPT, SW

Min Temperature : -20°C

Max Temperature : +250°C (+80°C with DELRIN® seat)

Max Pressure : 255 Bars (Class 1500)

Specifications : Anti blow-out stem

ATEX

Antistatice device

Full bore

PEEK seat or DELRIN®

Materials : Forged Carbon Steel ASTM A105N

2 PIECES A105N FORGED BALL VALVE CLASS 1500

SPECIFICATIONS :

- Full bore
- Anti blow-out stem
- Class 1500
- Atex
- Antistatic device
- 2 pieces type
- Galvanized carbon steel with anti corrosion 8µ thickness
- NACE MR01-75
- Roughness Ra 0.4 for the ball, Ra 1.6 for the ends

USE :

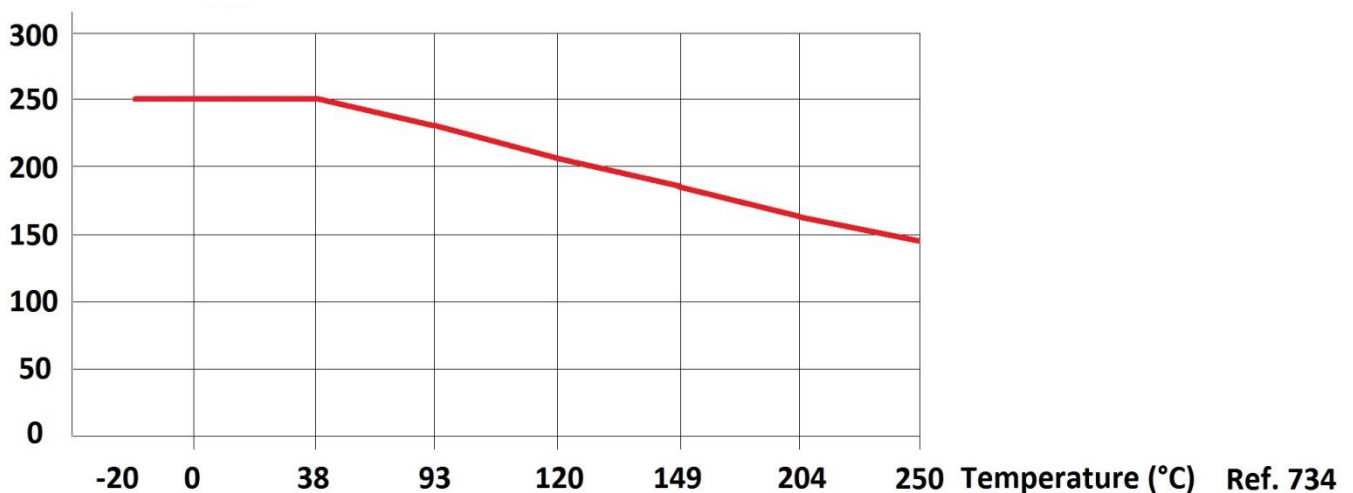
- Chemical and pharmaceutical industries, petrochemical industries, hydraulic installation, compressed air
- Do not use with water under 80°C and PEEK seat
- Min and max Temperature Ts :
 - - 20°C to + 80°C with DELRIN® seat
 - - 20°C to + 250°C with PEEK seat
- Max Pressure Ps : 255 bars
- Steam : 30 bars maximum only with PEEK seat

PRESSURE / TEMPERATURE RELATION WITH PEEK SEAT :

| | | | | | | | |
|---------------------------|------------|------------|------------|------------|------------|------------|------------|
| Pressure (Bar) | 255 | 255 | 229 | 204 | 183 | 165 | 145 |
| Temperature (°C) | -20 | 38 | 93 | 120 | 149 | 204 | 250 |

PRESSURE / TEMPERATURE GRAPH (STEAM EXCLUDED) WITH PEEK SEAT :

Pressure (Bar)



2 PIECES A105N FORGED BALL VALVE CLASS 1500

TORQUES VALUES (in Nm without safety coefficient) :

| DN (mm) | 8 | 10 | 15 | 20 | 25 | 32 | 40 | 50 |
|-------------|------|------|------|------|----|--------|--------|-----|
| NPS (") | 1/4" | 3/8" | 1/2" | 3/4" | 1" | 1"1/4" | 1"1/2" | 2" |
| Torque (Nm) | 15 | 15 | 15 | 15 | 31 | 81 | 97 | 129 |

RANGE :



- Ball valve Class 1500 forged carbon steel body A105N and PEEK seat **Ref. 734** DN1/4" to DN2"
- Ball valve Class 1500 forged carbon steel body A105N and DELRIN® seat **Ref. 734D** DN1/4" to DN2"



- Stainless steel AISI 304 Handle with red cover

| DN (mm) | 8-10 | 15 | 20-25 | 32-40 | 50 |
|---------|-------------|---------|-----------|----------------|---------|
| NPS (") | 1/4" - 3/8" | 1/2" | 3/4" - 1" | 1"1/4 - 1"1/2" | 2" |
| Ref. | 9830320 | 9830316 | 9830317 | 9830318 | 9830321 |



- Locking device (with padlock)

| DN (mm) | 8-10 | 15 | 20-25 | 32-40 | 50 |
|---------|-------------|---------|-----------|----------------|---------|
| NPS (") | 1/4" - 3/8" | 1/2" | 3/4" - 1" | 1"1/4 - 1"1/2" | 2" |
| Ref. | 9830301 | 9830313 | 9830314 | 9830315 | 9830496 |



- Galvanized steel handwheel

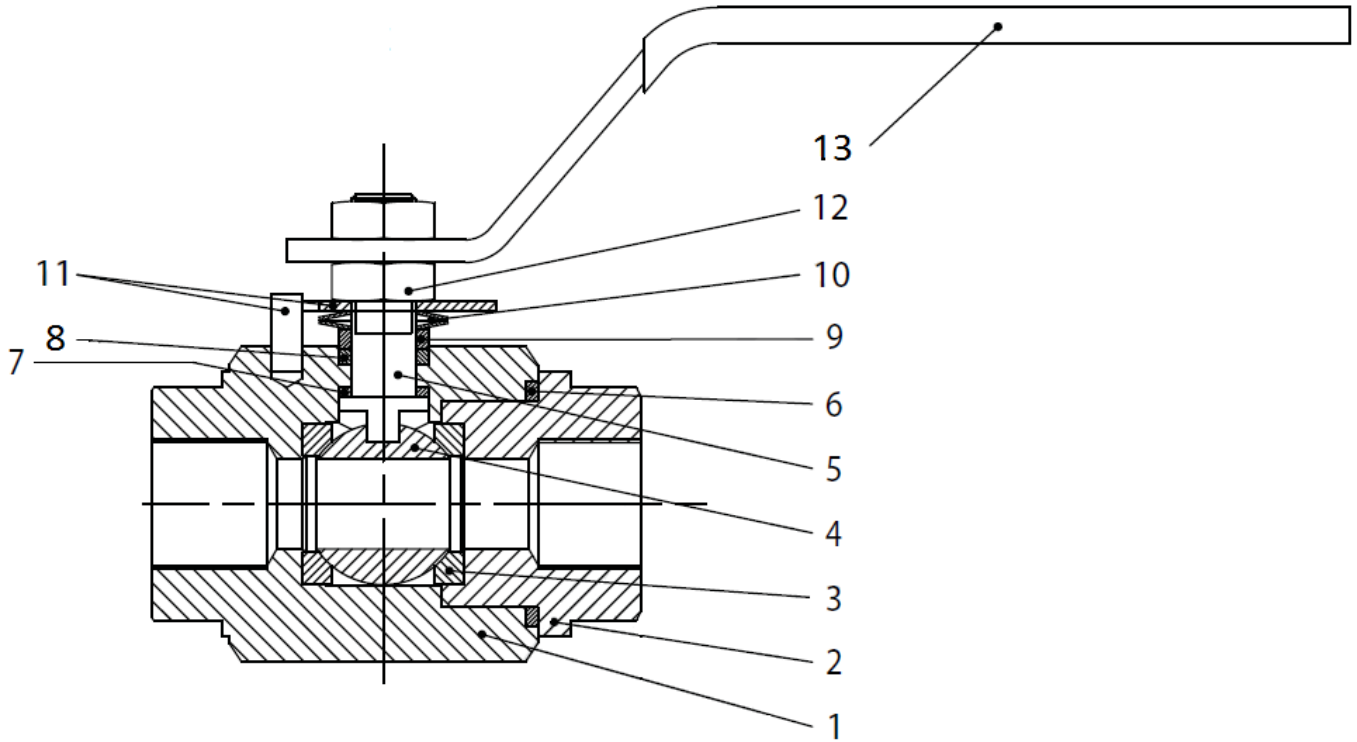
| DN (mm) | 8-10 | 15 | 20-25 | 32-40 | 50 |
|---------|-------------|---------|-----------|----------------|----|
| NPS (") | 1/4" - 3/8" | 1/2" | 3/4" - 1" | 1"1/4 - 1"1/2" | 2" |
| Ref. | 9830571 | 9830572 | 9830573 | 9830574 | |

ENDS:

- Female / female threaded cylindrical BSP **Ref. 734 or 734D**
- Female / female threaded NPT **Ref. 7341**
- Socket Welding ends **On Request**

2 PIECES A105N FORGED BALL VALVE CLASS 1500

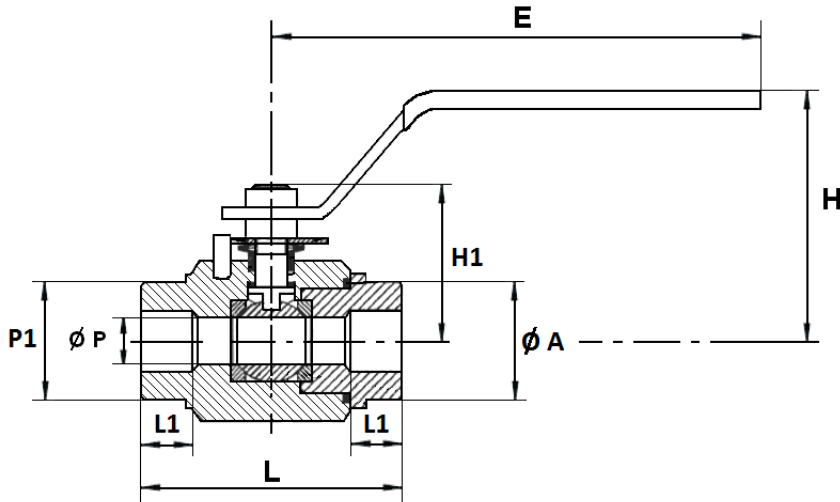
MATERIALS :



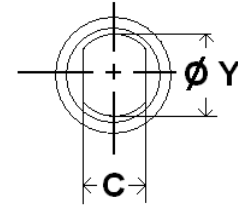
| Item | Designation | Materials Ref.734 | Materials Ref.734D |
|------|---------------|-----------------------------|--------------------|
| 1 | Body | ASTM A105N | |
| 2 | Ends | | |
| 3 | Seat | PEEK | DELRIN® (POM) |
| 4 | Ball | ASTM A182 F316L | |
| 5 | Stem | | |
| 6 | Body gasket | PTFE filled with 25% carbon | |
| 7 | Thrust washer | | |
| 8 | Packing | | |
| 9 | Packing gland | ASTM A105N | |
| 10 | Disc springs | Galvanized steel | |
| 11 | Stop | | |
| 12 | Nut | | |
| 13 | Handle | | |

2 PIECES A105N FORGED BALL VALVE CLASS 1500

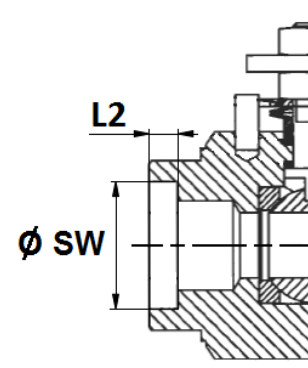
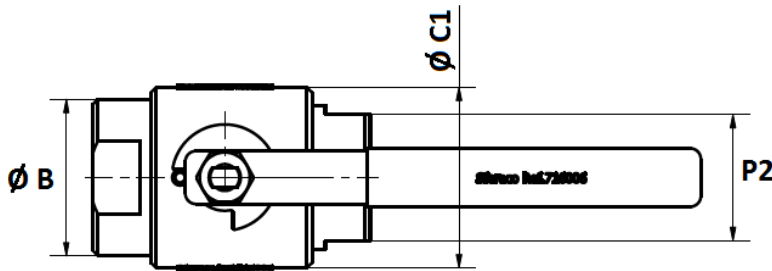
SIZE (in mm) :



Stem size :



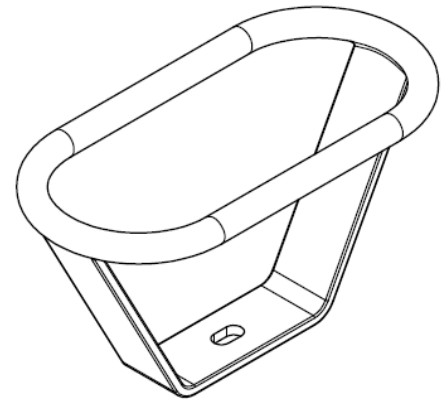
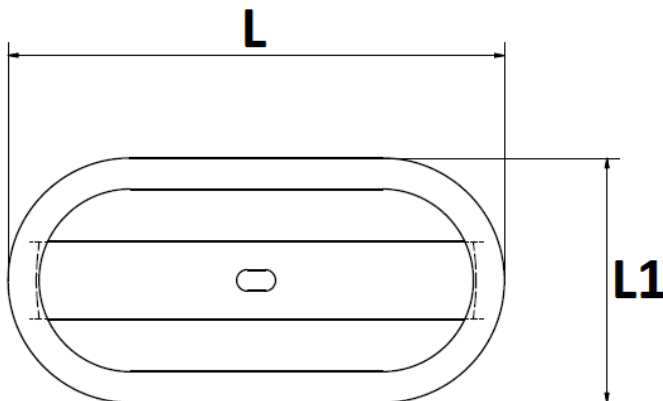
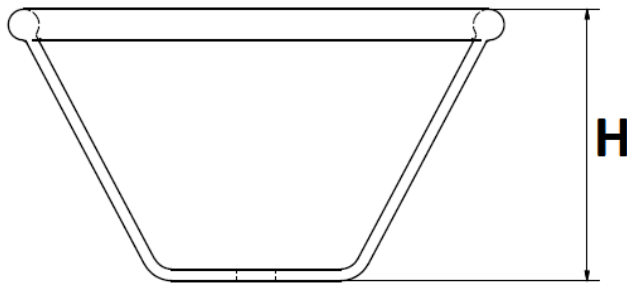
SW ends size (on request) :



| DN (mm) | 8 | 10 | 15 | 20 | 25 | 32 | 40 | 50 |
|----------------|------|------|------|------|------|--------|--------|------|
| NPS (") | 1/4" | 3/8" | 1/2" | 3/4" | 1" | 1"1/4" | 1"1/2" | 2" |
| Ø P | 10 | 10 | 15 | 20 | 25 | 30 | 38 | 48 |
| L | 67 | 67 | 75 | 90 | 105 | 120 | 135 | 155 |
| L1 | 15 | 15 | 19 | 22 | 23 | 27 | 30 | 32 |
| E | 148 | 148 | 148 | 180 | 180 | 240 | 240 | 280 |
| H | 72 | 72 | 75 | 85 | 95 | 100 | 105 | 115 |
| H1 | 41 | 41 | 45 | 57 | 61 | 74 | 80.5 | 91 |
| P1 (on flat) | 30 | 30 | 37.5 | 44.5 | 52 | 61.5 | 71.5 | 82 |
| P2 (on flat) | 29 | 29 | 36 | 45 | 47.5 | 57.5 | 71.5 | 81.5 |
| Ø A | 34.5 | 34.5 | 42 | 51 | 54.5 | 64.5 | 79.5 | 89.5 |
| Ø B | 34.5 | 34.5 | 42 | 51 | 59 | 70 | 80 | 90 |
| Ø C1 | 42 | 42 | 50 | 60 | 68 | 80 | 93 | 104 |
| C | 5 | 5 | 5.5 | 7.5 | 7.5 | 9 | 9 | 9 |
| Ø Y | 8 | 8 | 10 | 12 | 12 | 14 | 14 | 14 |
| Ø SW | 14.3 | 17.8 | 21.8 | 27.3 | 34 | 42.6 | 48.7 | 61.3 |
| L2 | 9.5 | 9.5 | 9.5 | 11.5 | 13 | 14 | 16 | 17 |
| Weight (in Kg) | 0.6 | 0.6 | 0.8 | 1.5 | 2 | 3.3 | 4.5 | 6 |

2 PIECES A105N FORGED BALL VALVE CLASS 1500

HANDWHEEL SIZE (in mm) :



| DN (mm) | 8 | 10 | 15 | 20 | 25 | 32 | 40 | 50 |
|-------------|---------|---------|---------|---------|---------|---------|---------|---------|
| NPS (") | 1/4" | 3/8" | 1/2" | 3/4" | 1" | 1 1/4" | 1 1/2" | 2" |
| H | 77 | 70 | 70 | 69 | 64 | 77 | 80 | 80 |
| L | 130 | 128 | 133 | 133 | 130 | 210 | 205 | 205 |
| L1 | 68 | 63 | 68 | 77 | 82 | 87 | 105 | 105 |
| Ref. | 9830571 | 9830571 | 9830572 | 9830573 | 9830573 | 9830574 | 9830574 | 9830574 |
| Weight (Kg) | 0.300 | 0.300 | 0.380 | 0.420 | 0.420 | 0.460 | 0.460 | 0.460 |

2 PIECES A105N FORGED BALL VALVE CLASS 1500

STANDARDS :

- Manufacturer certified ISO 9001 : 2015
- DIRECTIVE 2014/68/EU : CE N° 0948
Risk category III Module B+C2
- Certificate 3.1 on request
- Pressure tests according to API 598, table 6
- Designing according to ANSI B16.34
- Threaded female BSP cylindrical ends according to ISO 228/1
- Threaded female NPT ends according to ANSI B1.20.1
- Materials according to NACE MR 01-75
- ATEX Group II Category 2 G/2D Zone 1 & 21 Zone 2 & 22 (optional marking)

ADVICE : Our opinion and our advice are not guaranteed and SFERACO shall not be liable for the consequences of damages.
The customer must check the right choice of the products with the real service conditions.